

# Customer Information Sheet

DRAWING No.: M80-500XXX

SHEET 2 OF 2

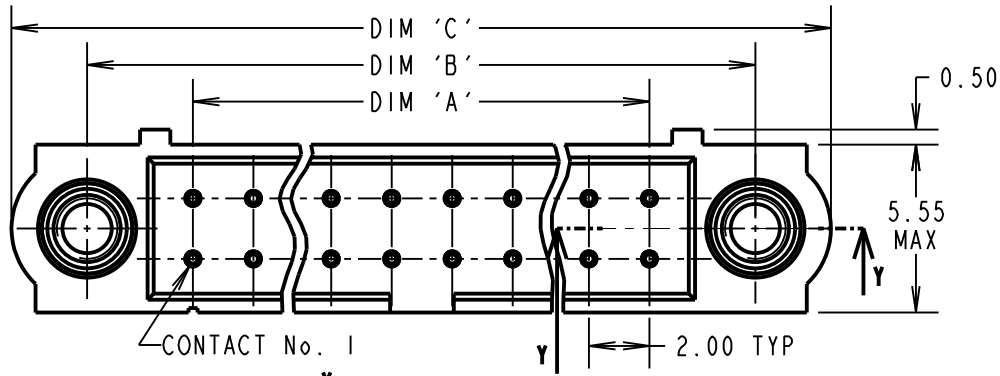
IF IN DOUBT - ASK

©

NOT TO SCALE

THIRD ANGLE PROJECTION

ALL DIMENSIONS IN mm



ORDER CODE:  
**M80-500XXX**

No. OF CONTACTS  
04 TO 50  
(EVEN NUMBERS ONLY)

FINISH \_\_\_\_\_

05 - GOLD  
22 - SELECTIVE GOLD + TIN/LEAD  
42 - SELECTIVE GOLD + 100% TIN

**SPECIFICATIONS:**

**MATERIAL:**  
MOULDING = GLASS-FILLED PPS, UL94V-0, BLACK  
CONTACT = PHOSPHOR BRONZE  
JACKSCREW = STAINLESS STEEL  
FINISH: (ALL OVER NICKEL)  
05 = 0.75µm ALL OVER GOLD  
22 = 0.75µm GOLD ON CONTACT AREA, 3µm 90/10 TIN/LEAD ON TAILS  
42 = 0.75µm GOLD ON CONTACT AREA, 3µm 100% TIN ON TAILS

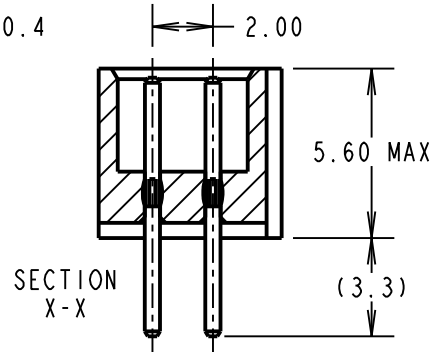
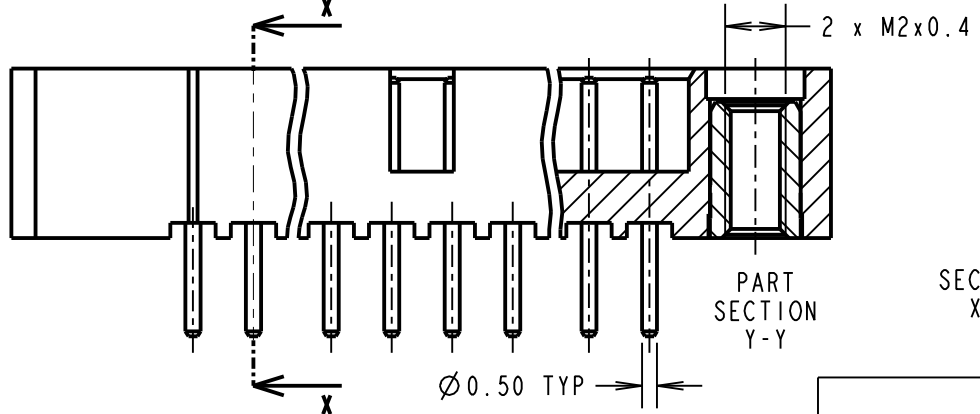
**ELECTRICAL:**  
CURRENT RATING AT 25°C = 3.0A MAX  
CURRENT RATING AT 85°C = 2.2A MAX  
WORKING VOLTAGE = 800V AC/DC  
VOLTAGE PROOF = 1200V AC/DC  
CONTACT RESISTANCE = 25mΩ MAX  
INSULATION RESISTANCE = 100MΩ MIN

**MECHANICAL:**  
DURABILITY = 500 OPERATIONS

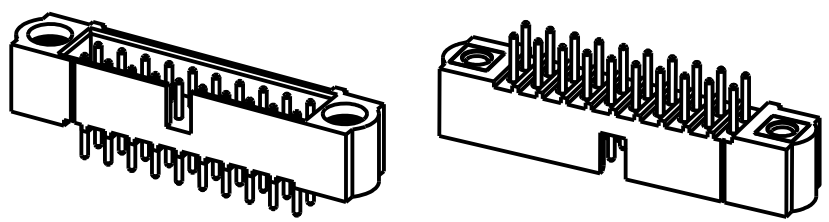
**ENVIRONMENTAL:**  
TEMPERATURE RANGE = -55°C TO +125°C

**PACKING:**  
TUBE

FOR COMPLETE SPECIFICATION, SEE COMPONENT SPECIFICATION C005XX (LATEST ISSUE)



**NOTES:**  
1. RECOMMENDED PCB HOLE SIZE = Ø0.70mm±0.05



| DIMENSION  | CALCULATION                  |
|--|------------------------------|
| DIM 'A'  | TOTAL No. OF CONTACTS - 2.00 |
| DIM 'B'  | TOTAL No. OF CONTACTS + 5.00 |
| DIM 'C'  | TOTAL No. OF CONTACTS + 10.0 |
| EXAMPLE: CONNECTOR WITH 20 CONTACTS, GOLD ON CONTACT AREA AND 100% TIN OVER NICKEL ON TAIL, M80-5002042. |                              |
| DIM 'A' = 18.00mm, DIM 'B' = 25.00mm, DIM 'C' = 30.0mm   |                              |

|                     |      |          |        |
|---------------------|------|----------|--------|
| MGP                 | 3    | 16.08.18 | 21475  |
| NAME                | ISS. | DATE     | C/NOTE |
| APPROVED: MGP       |      |          |        |
| CHECKED: SB         |      |          |        |
| DRAWN: W. J. BOURNE |      |          |        |
| CUSTOMER REF.:      |      |          |        |
| ASSEMBLY DRG:       |      |          |        |

## HARWIN

www.harwin.com  
technical@harwin.com

THIS DRAWING AND ANY INFORMATION OR DESCRIPTIVE MATTER SET OUT HEREON ARE CONFIDENTIAL AND COPYRIGHT PROPERTY OF THE HARWIN GROUP AND MUST NOT BE DISCLOSED, LOANED, COPIED OR USED FOR MANUFACTURING, TENDERING OR FOR ANY OTHER PURPOSE WITHOUT THEIR WRITTEN PERMISSION.

**TOLERANCES**  
X. = ±1mm  
X.X = ±0.50mm  
X.XX = ±0.10mm  
X.XXX = ±0.01mm

ANGLES = ±5°  
UNLESS STATED

**MATERIAL:**  
SEE ABOVE

**FINISH:** SEE ABOVE

**S/AREA:** mm<sup>2</sup>

**TITLE:** JACKSCREW DATAMATE DIL VERTICAL PC TAIL MALE ASSEMBLY

**DRAWING NUMBER:**  
**M80-500XXX**