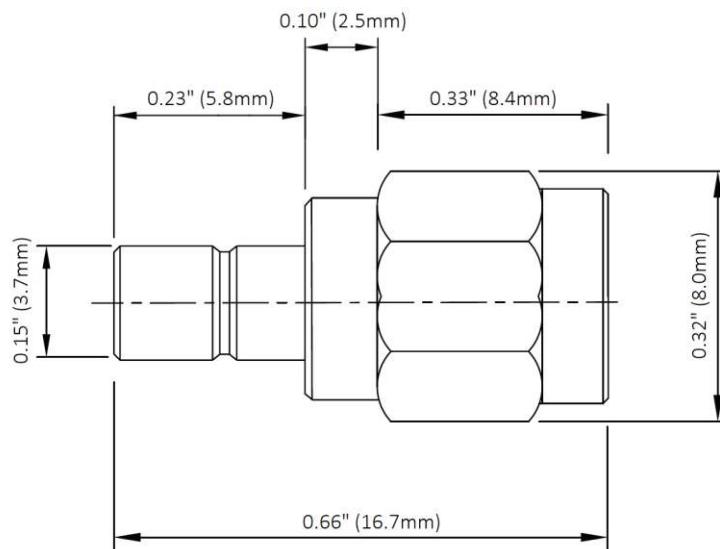


Model 72976
SMA (Male) to SMB (Male)



Features

- DC – 4 GHz
- Small size and durability for mobile communications
- Precision machined and gold-plated for low loss

Materials

Body: Brass, Gold Plated
Center Contact: Brass, Gold Plated
Insulator: PTFE

Ratings

| | |
|---------------------------------|--|
| Impedance | 50 Ω |
| Frequency Range | DC – 4 GHz |
| Working Voltage | 500 Vrms max. |
| Dielectric Withstanding Voltage | 1000 Vrms max. |
| VSWR | 1.3 max. |
| Contact Resistance | 6 mΩ max. (center contact); 2 mΩ max. (outer contact) |
| Insulation Resistance | 1000 MΩ max. |
| Insertions | 500 |

Ordering Information

Model: 72976

USA: Sales: 800-490-2361
Technical Support: technicalsupport@pomonatest.com
Fax: 425-446-5844
Europe: 31-(0) 40 2675 150 **International:** 425-446-5500
Where to Buy: www.pomonaelectronics.com

All dimensions are in inches. Tolerances (except noted): .xx = ±.02" (.51 mm), .xxx = ±.005" (.127 mm). All specifications are to the latest revisions. Specifications are subject to change without notice. Registered trademarks are the property of their respective companies.