

6

5

4

3

2

1

E

E

D

D

C

C

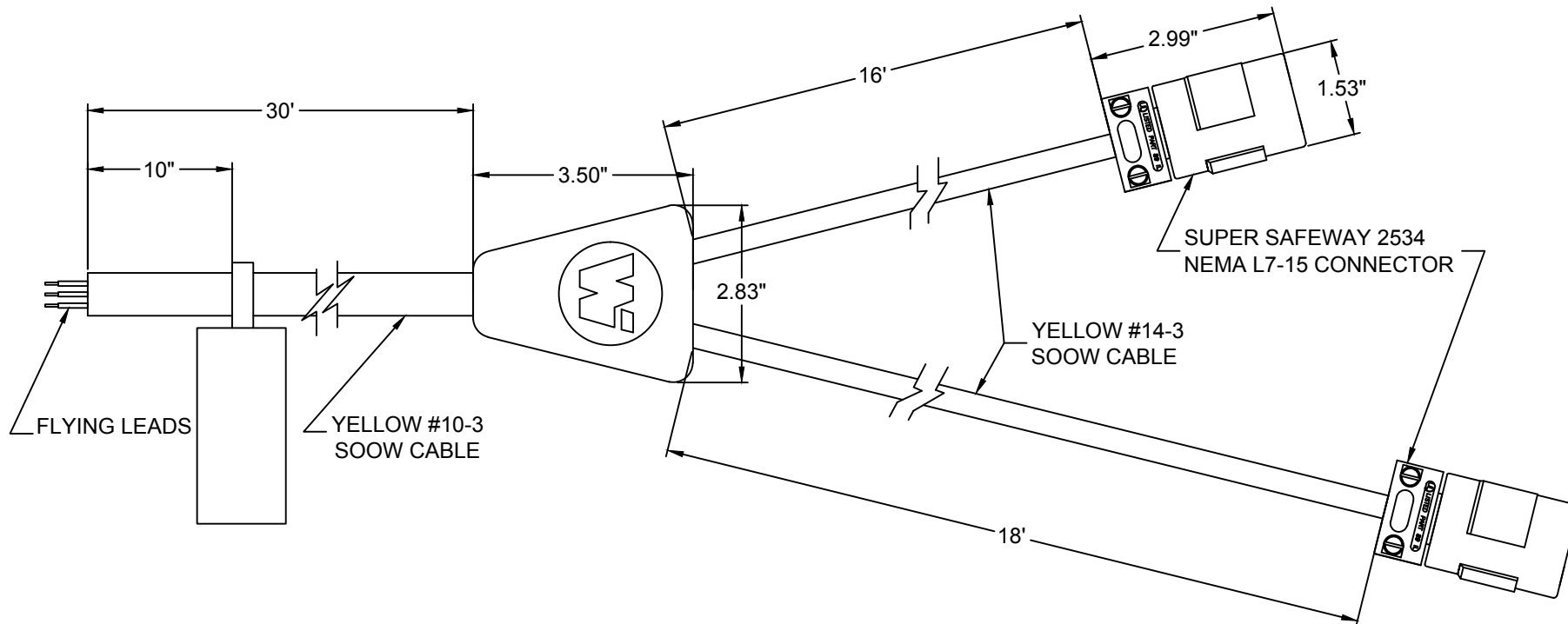
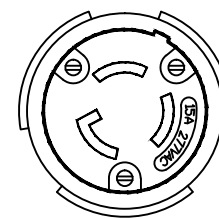
B

B

A

A

NEMA L7-15 FACE VIEW



NOTES:

- PART IS NOT UL OR CSA CERTIFIED.
- #10-3 TEMPERATURE RANGE 105°C (-34°C)
- #14-3 TEMPERATURE RANGE 105°C (-40°C)

RELEASE DRAWING EC NO: IPG2018-0057 DRWN: BPATTERS 2017/07/31 CHKD: --- APPR: HKNEELAN 2017/08/14	QUALITY SYMBOLS	GENERAL TOLERANCES (UNLESS SPECIFIED)		DIMENSION STYLE	SCALE	DESIGN UNITS	THIRD ANGLE PROJECTION
	$\nabla=0$	mm	INCH	INCH ONLY	NTS	INCH	
	$\nabla C=0$	4 PLACES	±---	±---	DRAWN BY DATE	TITLE	
		3 PLACES	±---	±---	BPATTERS 2017/07/31	MOLDED Y-SPLICE	
	2 PLACES	±---	±---	CHECKED BY DATE	#10-3 FLYING LEAD PRIM.		
	1 PLACE	±---	±---	---	VAR LENGTH #14-3 SEC		
		ANGULAR ±.5°		APPROVED BY DATE	MOLEX INCORPORATED		
		DRAFT WHERE APPLICABLE MUST REMAIN WITHIN DIMENSIONS		HKNEELAN 2017/08/14	SD-130154-127		
				MATERIAL NO.	DOCUMENT NO.	SHEET NO.	
A1				1301540127	SD-130154-127	1 OF 1	
				SIZE	THIS DRAWING CONTAINS INFORMATION THAT IS PROPRIETARY TO MOLEX INCORPORATED AND SHOULD NOT BE USED WITHOUT WRITTEN PERMISSION		
				A			

6

5

4

3

2

1