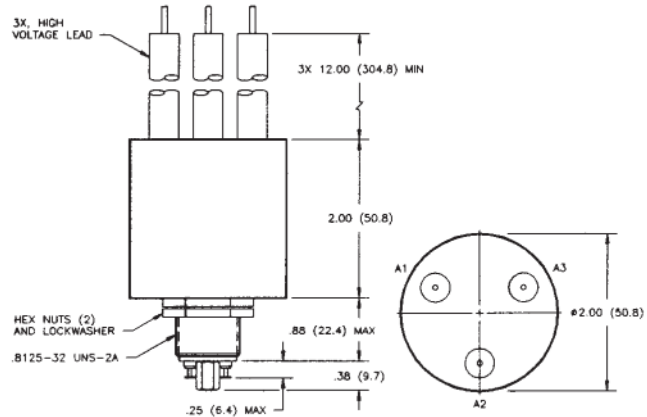


K64 & H-25 Series — 50 kV Relays

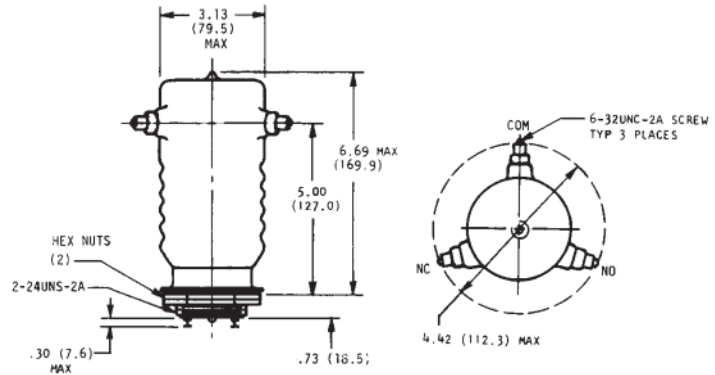
K64C
Make Only Load Switching
Product Facts for K64C

- SF-6 gas-filled relay ideal for high voltage isolation or “make only” power switching
- 50 kV rating in compact package
- High voltage leads and encapsulation allow full operation in air



H-25
Make & Break Load Switching
Product Facts for H-25

- Vacuum relay provides low contact resistance
- Vacuum dielectric for power switching low current loads



Product Specifications for K64C and H-25

- Contact Arrangement** — SPDT
- Contact Form** — C
- Test Voltage, DC or 60 Hz (Peak)** —
 K64C — 55 kV
 H-25 — 60 kV
- Rated Operating Voltage (Peak)** —
 DC or 60 Hz — 50 kV
- Continuous Carry Current, Max.** —
 DC or 60 Hz — K64C — 10 A
 H-25 — 30 A
- Coil Hi-Pot (Vrms, 60 Hz) — 500 A
- Contact Resistance, Max.** —
 K64C — 1.0 ohm*
 H-25 — 0.015 ohm
- Operate Time, Max.** —
 K64C — 15 ms
 H-25 — 60 ms
- Release Time, Max.** —
 K64C — 15 ms
 H-25 — 60 ms

Shock, 11ms, 1/2 Sine (Peak) —

- K64C — 10 g
- H-25 — 15 g
- Vibration** —
 Peak — 10 g (55 to 500 Hz)

Operating Ambient Temperature Range — -55°C to +85°C

- Mechanical Life** —
 K64C — 1 million cycles
 H-25 — 500,000 cycles

- Weight, Nominal** —
 K64C — 340 g (12 oz.)
 H-25 — 850.5 g (30 oz.)

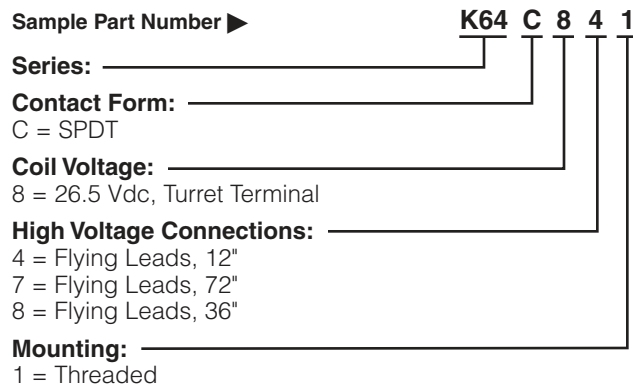
Note:
 *Contact resistance for gas-filled relays measured at 28 Vdc, 1 Amp

Coil Data

	K64C	H-25
Nominal Volts DC	26.5 Vdc	26.5 Vdc
Pickup, Max.	18 Vdc	16 Vdc
Dropout	1-10 Vdc	1-10 Vdc
Coil Resistance (±10%)	80 Ω	120 Ω

Ratings listed are for 25°C, sea level conditions

Ordering Information



For factory-direct application assistance, dial 800-253-4560, ext. 2055, or 805-220-2055.