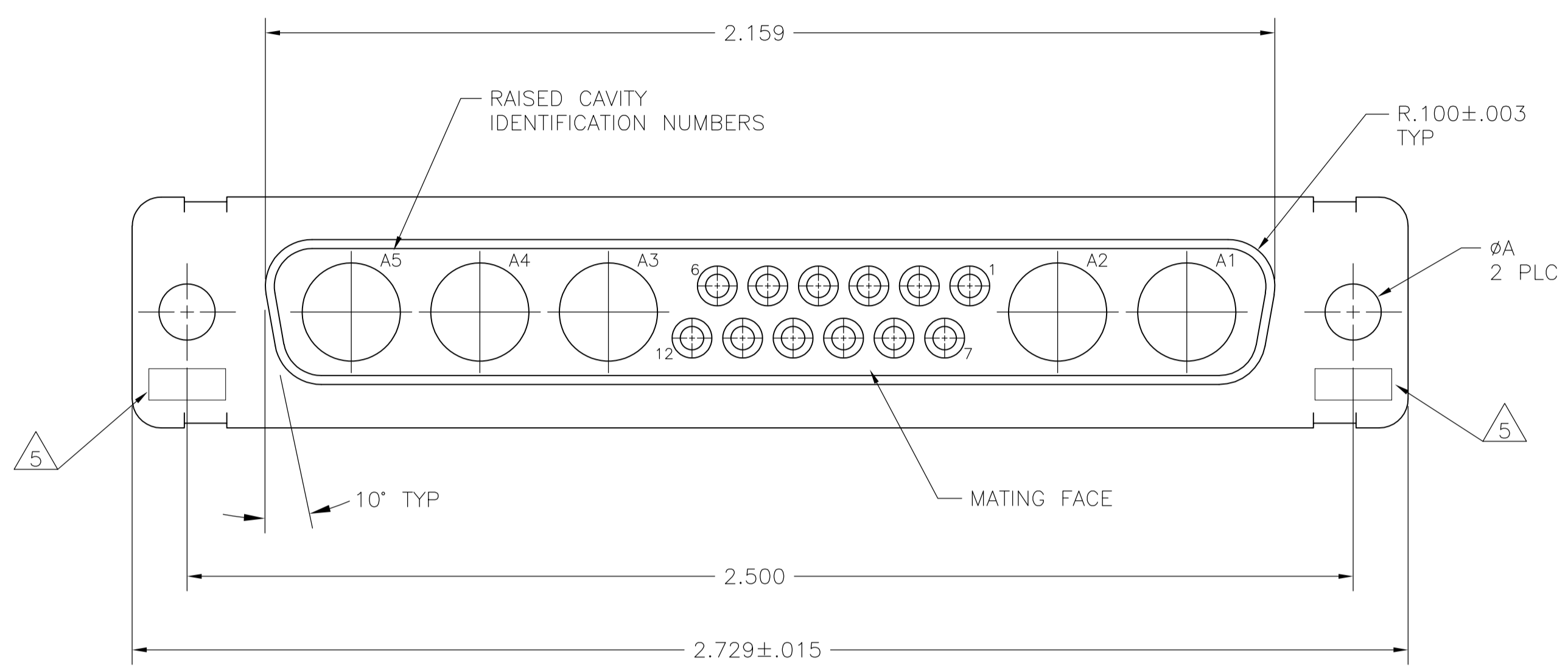
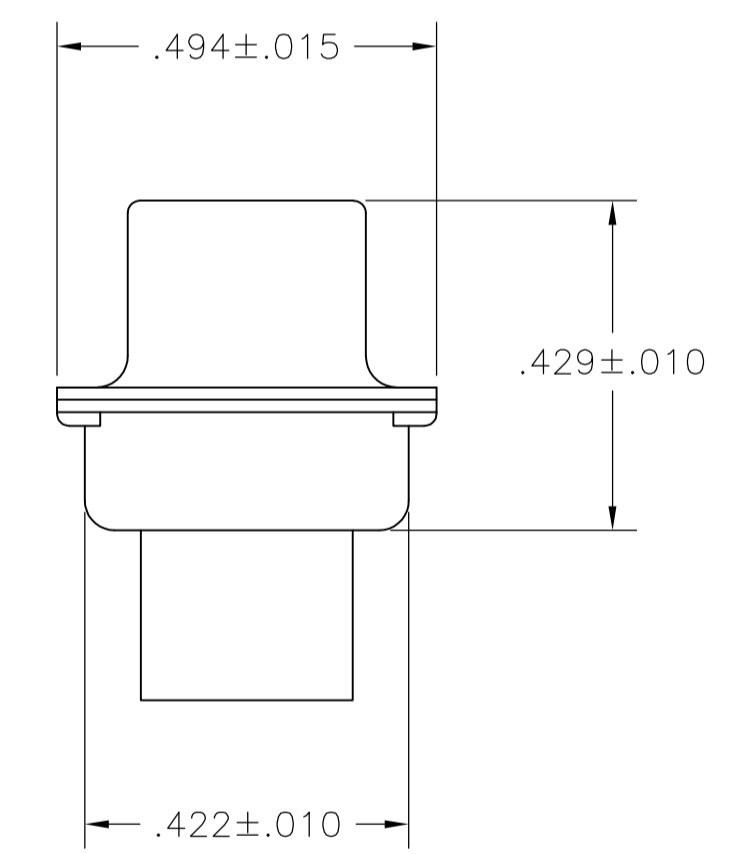
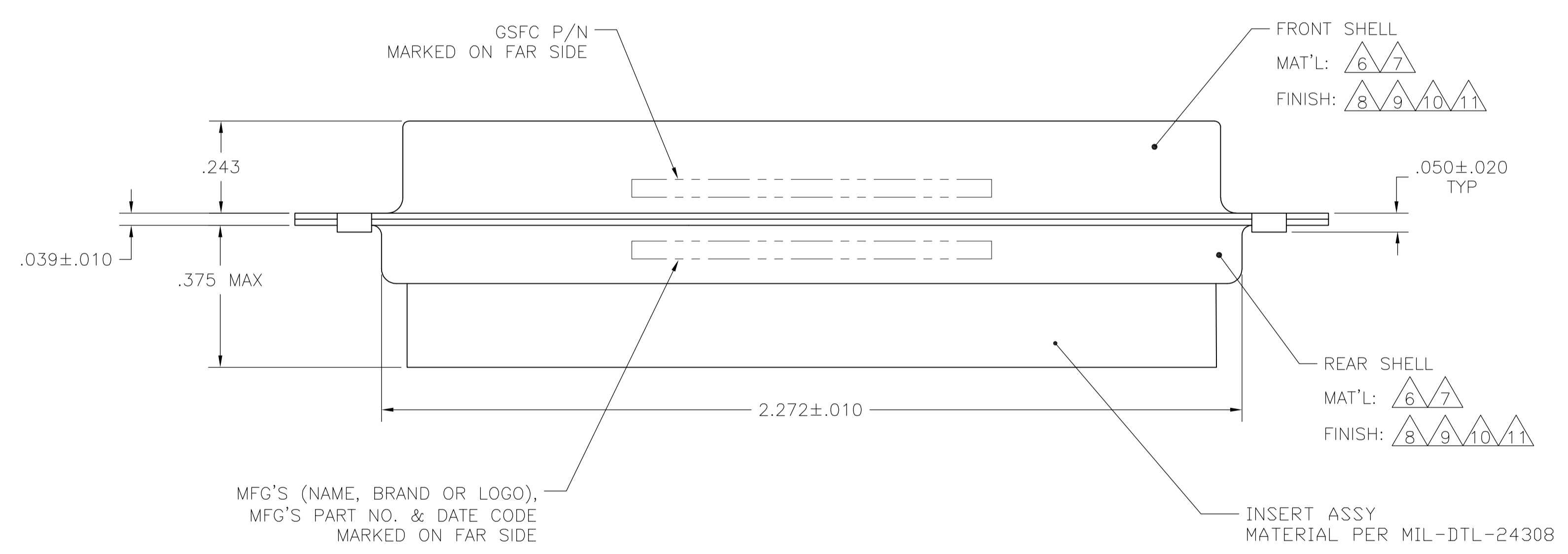


LOC		DIST		REVISIONS			
P	LTR	DESCRIPTION	DATE	DN	APVD		
P		REV PER ECO-15-016251	13NOV15	KG	CD		



- THIS RECEPTACLE WILL MATE WITH ANY 17C5, SIZE 4 PLUG IN AMPLIMITE SERIES.
  - MAXIMUM WIRE INSULATION TO BE USED WITH THIS RECEPTACLE IS  $\phi$ .068.
  - THIS CONNECTOR ACCEPTS (5) POWER 8, OR COAX SOCKET CONTACTS IN POSITIONS A1 THRU A5, PURCHASED SEPARATELY.
  - THIS CONNECTOR ACCEPTS SIZE 20 SOCKET SIGNAL CONTACTS IN POSITIONS 1 THRU 12, PURCHASED SEPARATELY.
- $\triangle$ 5 UL/CSA DESIGNATION STAMPED IN THIS AREA, OPTIONAL.  
 $\triangle$ 6 STEEL PER ASTM-A-109.  
 $\triangle$ 7 BRASS PER MIL-C-50 AND ASTM-B-36 UNS NO. C26000.  
 $\triangle$ 8 FINISH: CADMIUM PLATED PER QQ-P-416.  
 $\triangle$ 9 GOLD PLATED PER MIL-G-45204 TYPE II, GRADE C, CLASS 1 OVER COPPER PER MIL-C-14550, CLASS IV.  
 $\triangle$ 10 FINISH: TIN PER ASTM-B-545 .000400 MIN THK OVER COPPER PER AMS2418 .000050 MIN THK.  
 $\triangle$ 11 FINISH: ZINC PLATE PER ASTM-B-633 .000200-.000400 THK WITH SUPPLEMENTARY CHROMATE (Cr3+).



$\triangle$ 6 $\triangle$ 10	.120	-	5-212518-5
$\triangle$ 6 $\triangle$ 11	.120	-	5-212518-1
$\triangle$ 6 $\triangle$ 10	.120	-	212518-5
$\triangle$ 7 $\triangle$ 9	.154	311P405-17S-B-15	212518-4
$\triangle$ 7 $\triangle$ 9	.120	311P405-17S-B-12	212518-3
$\triangle$ 6 $\triangle$ 8	.120	-	212518-1
REMARKS	$\phi$ A	GSFC P/N	PART NO

THIS DRAWING IS A CONTROLLED DOCUMENT.

DIMENSIONS: INCHES	TOLERANCES UNLESS OTHERWISE SPECIFIED:	DIN C.C.THOMAS 25JAN88	APVD A.EMADI 26JAN88	NAME	RECEPTACLE ASSEMBLY
0 PLC ± -	1 PLC ± -	2 PLC ± -	3 PLC ± .005(0.13)	4 PLC ± ± 0°/30°	AMPLIMITE 17C5
MATERIAL	FINISH	WEIGHT	SCALE	SHEET	REV
			4:1	1 of 1	P

CUSTOMER DRAWING  
 SIZE: A1  
 CAGE CODE: 00779  
 DRAWING NO: 212518  
 DATE: 13NOV15  
 SCALE: 4:1  
 SHEET: 1 of 1  
 REV: P