

GE Digital Energy Power Quality



Operating Manual

Digital Energy™ *SNMP / WEB ADAPTER*

P/N 1018959 3-ph SNMP/Web plug-in adapter
P/N 1019070 1-ph SNMP/Web plug-in adapter
P/N 23954 SP SNMP/Web plug-in adapter
P/N 1019071 1-ph SNMP/Web external adapter

GE Consumer & Industrial SA

General Electric Company
CH - 6595 Riazzino (Locarno)
Switzerland
T +41 (0)91 / 850 51 51
F +41 (0)91 / 850 51 44
www.gedigitalenergy.com



GE imagination at work



Model: 3-ph SNMP/Web plug-in adapter
1-ph SNMP/Web plug-in adapter
SP SNMP/Web plug-in adapter
1-ph SNMP/Web external adapter

Date of issue: 13.05.2008

File name: OPM_CNT_SNM_BAS_CRD_V011

Revision: 1.1

Identification No. P/N 1018959
P/N 1019070
P/N 23954
P/N 1019071

Up-dating

Revision	Concerns	Date
1.0	First Issue	15.02.2008
1.1	Updated for the 3-ph and SP SNMP/Web plug-in adapters	13.05.2008

COPYRIGHT © 2008 by GE Consumer & Industrial SA

All rights reserved.

The information contained in this publication is intended solely for the purposes indicated.

The present publication and any other documentation supplied with the UPS system is not to be reproduced, either in part or in its entirety, without the prior written consent of **GE**.

The illustrations and plans describing the equipment are intended as general reference only and are not necessarily complete in every detail.

The content of this publication may be subject to modification without prior notice.

Dear Customer,

We thank you for selecting our products and are pleased to count you amongst our very valued customers at **GE**.

We trust that the use of the **SNMP/Web adapters** for our Uninterruptible Power Supply systems, developed and produced to the highest standards of quality, will give you complete satisfaction.

Please read carefully the Installation Manual, which contains all the necessary information about the installation of the adapters.

Thank you for choosing **GE** !

Distributed by:

Your service contact:



GE Digital Energy
General Electric Company
CH - 6595 Riazzino (Locarno)
Switzerland

Table of contents

Page

1	INTRODUCTION.....	6
1.1	FEATURES.....	6
1.2	OVERVIEW.....	6
1.3	ARCHITECTURE.....	9
1.4	SAFETY.....	9
2	CONSOLE INTERFACE.....	10
2.1	INTRODUCTION.....	10
2.1.1	Local connection.....	10
2.1.2	Remote connection.....	11
2.1.3	Log-on.....	12
2.1.4	Saving the settings.....	12
2.2	COMMAND LIST.....	13
2.2.1	General command group.....	13
2.2.2	Network command group.....	14
2.2.3	DNS command group.....	15
2.2.4	User command group.....	16
2.2.5	Service command group.....	17
2.2.6	Time command group.....	18
2.2.7	Smtip command group.....	19
2.2.8	Snmp command group.....	20
2.2.9	Trap command group.....	21
2.2.10	UPS command group.....	22
2.2.11	Log command group.....	23
3	WEB INTERFACE.....	24
3.1	INTRODUCTION.....	24
3.1.1	Supported browsers.....	24
3.1.2	Initial web access.....	24
3.1.3	Sample page.....	24
3.1.4	Saving the settings.....	25
3.2	NAVIGATION BAR.....	25
3.3	UPS SECTION.....	25
3.3.1	UPS Identification page.....	25
3.3.2	Battery page.....	26
3.3.3	UPS Status page.....	27
3.3.4	UPS Alarm page.....	27
3.3.5	UPS PMAD page (3-ph version ONLY).....	27
3.3.6	UPS Test page.....	28
3.3.7	UPS Control page (1-ph/SP units ONLY).....	28
3.3.8	UPS Config page.....	28
3.4	SYSTEM SECTION.....	29
3.4.1	Network page.....	29
3.4.2	Date&Time page.....	29
3.4.3	Password page.....	29
3.4.4	Configuration page.....	29
3.4.5	Upgrade page.....	29
3.5	SNMP SECTION.....	30
3.5.1	SNMP settings page.....	30
3.5.2	Trap settings page.....	30
3.6	SMTP SECTION.....	30
3.7	LOG SECTION.....	31
3.8	UTILITY SECTION.....	31
3.9	SAVE SECTION.....	31
3.10	USER SECTION.....	31

4	SNMP AGENT	32
4.1	MIB STRUCTURE	32
4.2	RFC1628 MIB OBJECTS	32
4.3	GE MIB OBJECTS	34
5	NETWORK CONFIGURATION.....	36
5.1	ETHERNET CONNECTION	36
5.2	TCP/IP CONFIGURATION.....	36
5.2.1	Static IP address.....	36
5.2.2	BOOTP / DHCP	36
5.3	DNS CONFIGURATION.....	37
5.4	HOSTNAME	37
6	SECURITY.....	38
6.1	USER AUTHENTICATION & AUTHORISATION.....	38
6.1.1	User Management.....	38
6.1.2	User class	38
6.1.3	Selective service activation	38
6.2	SERVICES (ACCESS METHODS).....	39
6.3	ENCRYPTION	39
6.3.1	SSH and SFTP.....	39
6.3.2	SSL Certificates	41
6.4	CUSTOMER RESPONSIBILITY.....	43
6.4.1	Physical security	43
6.4.2	Changing default configuration.....	43
6.4.3	User & Service management.....	43
6.4.4	Encryption.....	43
6.4.5	Firewalls	43
7	OTHER FUNCTIONALITIES	44
7.1	SYSTEM TIME.....	44
7.2	SERIAL BY-PASS (1-PH/SP VERSION ONLY)	44
8	MAINTENANCE	45
8.1	SOFTWARE UPGRADE.....	45
8.2	CONFIGURATION FILE.....	45
8.3	LOGS.....	45
9	TROUBLESHOOTING.....	46
9.1	TROUBLESHOOTING UPS CONNECTION	46
9.1.1	3-ph SNMP/Web plug-in adapter	46
9.1.2	1-ph SNMP/Web external adapter.....	46
9.2	TROUBLESHOOTING LOCAL CONNECTION.....	46
9.3	TROUBLESHOOTING NETWORK CONNECTION.....	47
9.4	TROUBLESHOOTING WEB ACCESS	48
9.5	TROUBLESHOOTING DATE&TIME (NTP).....	48
9.6	TROUBLESHOOTING E-MAIL NOTIFICATION (SMTP).....	49
10	CUSTOMER SUPPORT	50
10.1	FIRST LINE SUPPORT	50
10.2	INTERNET.....	50
10.3	WWW SERVER.....	50

1 INTRODUCTION

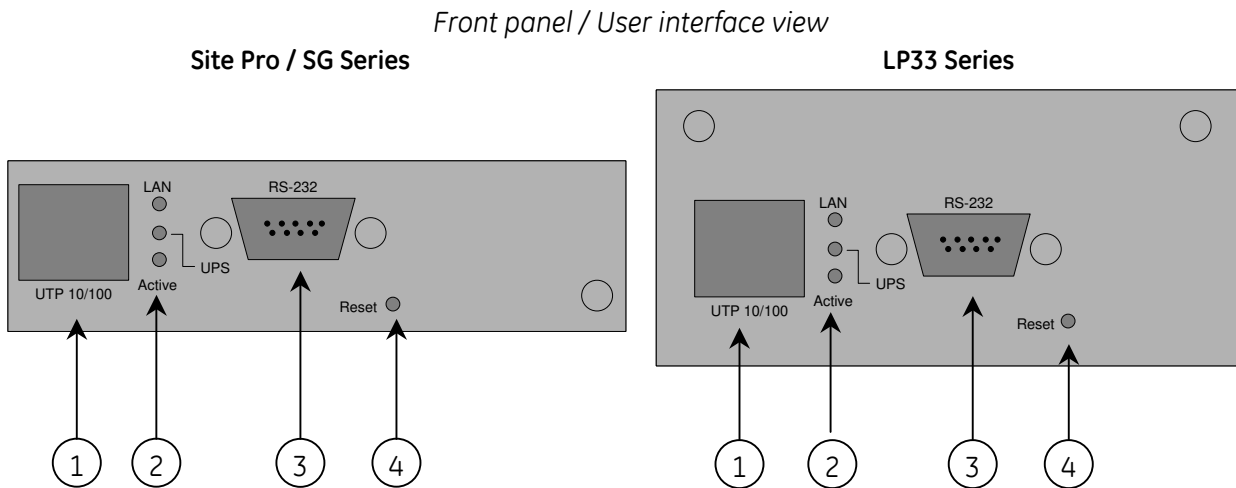
1.1 FEATURES

Each SNMP/Web adapter provides the following features:

- 10/100 Mbps connection speed
- Use of DHCP / BOOTP or manual configuration for the TCP/IP network settings
- SNMP Agent
- Web server
- Console interface
- UPS status / alarms / readings, event logging over different interfaces
- Digital outputs (open-collector outputs for relay drive) – *1-ph plug-in version only*
- SNMP Traps and E-mail notification upon UPS event
- Advanced security features

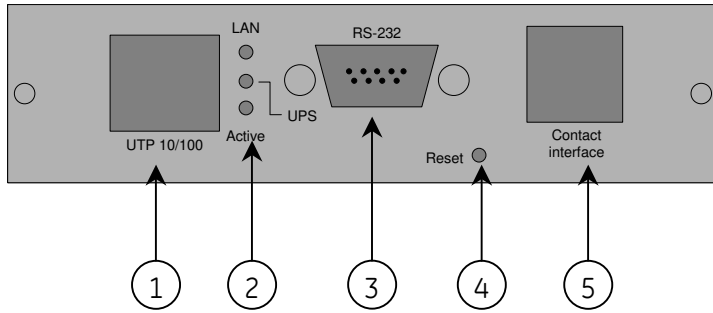
1.2 OVERVIEW

3-ph SNMP/Web plug-in adapter (P/N 1018959)



- 1 – RJ45 Connector Ethernet connection, 10Base-T or 100Base-TX
- 2 – LEDs Ref. specific section
- 3 – RS-232 port Local console connection (115200-N-8-1)
- 4 – Reset button HW reset

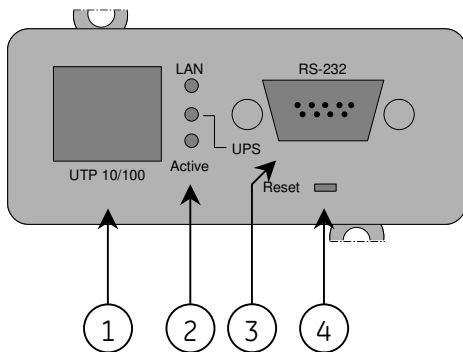
1-ph SNMP/Web plug-in adapter (P/N 1019070)



Front Panel – User Interface View

- 1 – RJ45 Connector Ethernet connection, 10Base-T or 100Base-TX
- 2 – LEDs Ref. specific section
- 3 – RS-232 port Local console connection (115200-N-8-1)
- 4 – Reset button HW reset
- 5 – RJ11 Connector Contact interface, open-collector output

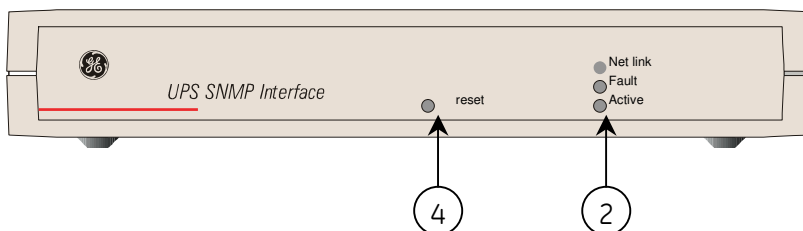
SP SNMP/Web plug-in adapter (P/N 23954)



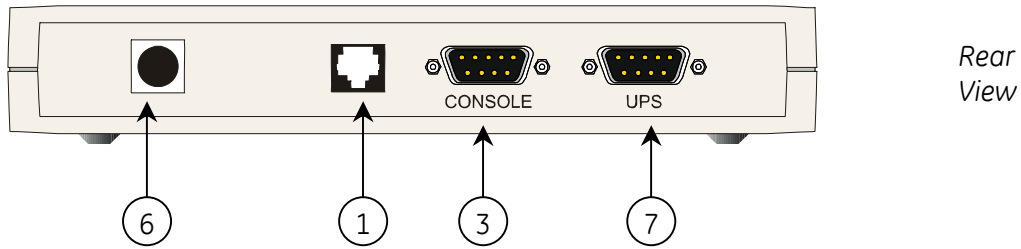
Front Panel – User Interface View

- 1 – RJ45 Connector Ethernet connection, 10Base-T or 100Base-TX
- 2 – LEDs Ref. specific section
- 3 – RS-232 port Local console connection (115200-N-8-1)
- 4 – Reset button HW reset

1-ph SNMP/Web external adapter (P/N 1019071)



Front View



- 1 – RJ45 Connector Ethernet connection, 10Base-T or 100Base-TX
- 2 – LEDs Ref. specific section
- 3 – RS-232 port Local console connection (115200-N-8-1)
- 4 – Reset button HW reset
- 6 – Power-in AC adapter connection
- 7 – UPS port RS-232 connection to the UPS

LEDs

The various front panel LEDs have the following meaning:

- LAN / Netlink

Status	Meaning
Off	No LAN connection detected
On	LAN connection established, no communication
Blink	LAN connection established, receive or transmit active

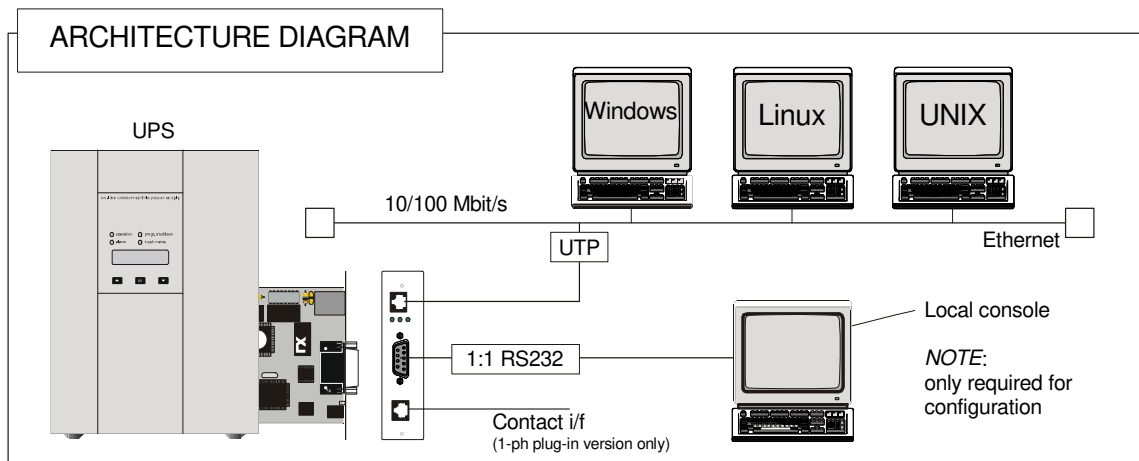
- UPS / Fail

Status	Meaning
Off	OK / No Fault
On	No UPS Connection

- Active

Status	Meaning
Off	Fault of device
Blink	Device OK / No fault

1.3 ARCHITECTURE



1.4 SAFETY

All maintenance and service work should be performed by qualified service personnel only.

Please read carefully the **Installation Manual** before installing or operating the adapters. For more information on the **UPS** system, please refer to the applicable Installation and User Manual.

Particularly, refer to *Safety Rules, Warnings and Cautions* as laid out in the cited document.

The knowledge of (and FULL compliance to) the safety instructions and the warning contained in the cited documents are THE ONLY CONDITION to avoid any dangerous situations during installation, operation, maintenance work, and to preserve the maximum reliability of the UPS system.

2 CONSOLE INTERFACE

2.1 INTRODUCTION

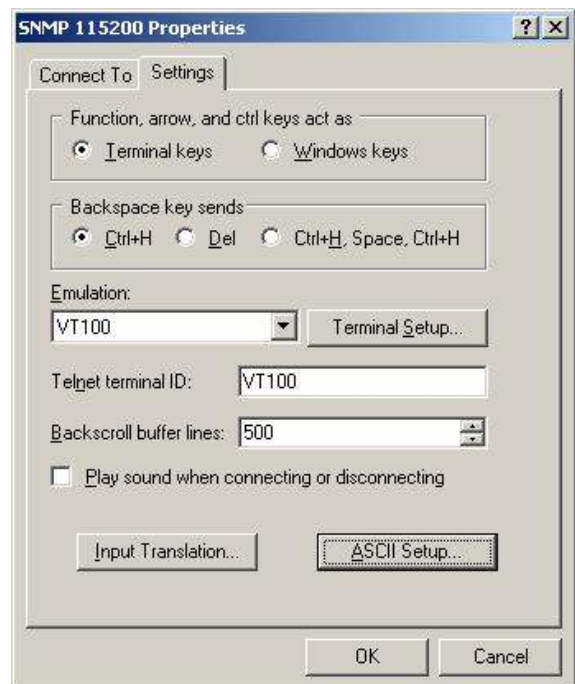
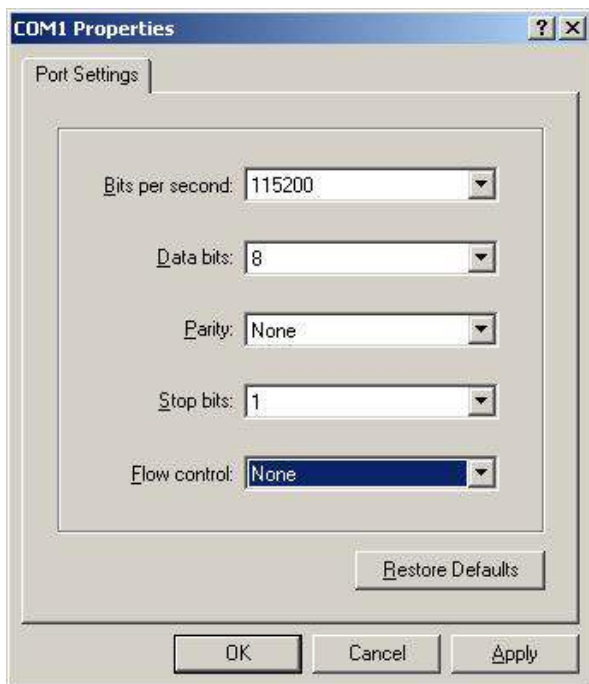
The console interface provides a simple way to configure the SNMP/Web adapters through a command-line interface. Actually, the console interface provides a full set of commands, extending far beyond the adapter initial configuration and allowing access to all advanced functionalities. Nevertheless, access using the console interface (by means of a local serial connection) is normally needed only for initial configuration, when no DHCP server is available or the IP-address is not known.

The console interface can be accessed locally (serial connection) or remotely (Telnet, SSH).

2.1.1 Local connection

Local access requires a local computer connected to the adapter serial port using a straight serial cable:

- Connect the SNMP adapter to a computer using a standard 1:1 serial communication cable.
- Run a terminal simulator (e.g. *HyperTerminal* on a PC running Windows)
- Configure the terminal simulator as follows:
115,200bps, 8 data bits, 1 stop bit, parity none, flow control none
terminal emulation VT-100



- Establish the connection and press **<enter>**
- The default username (login) and password are *ge* and *ge*
- A command-line configuration interface is entered

2.1.2 Remote connection

The console interface can also be accessed remotely from any computer on the same subnet using either Telnet or SSH (under the hypothesis that the relevant service is running and enabled for the selected user).

TELNET

Telnet provides basic user authentication. The SNMP/Web adapter uses the standard telnet port.

To start a Telnet session and connect to the adapter:

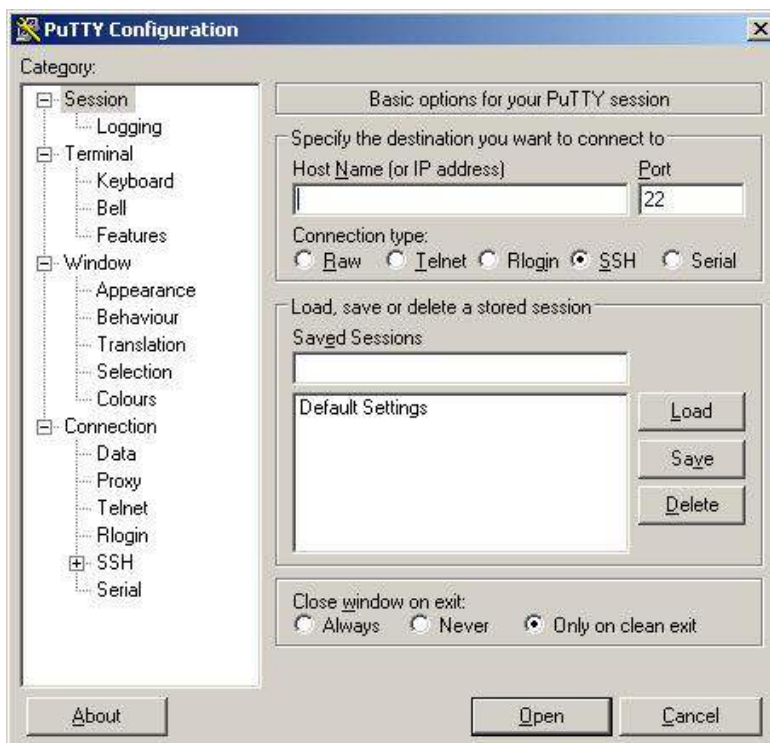
- Launch a telnet client (e.g. on a PC running Windows, select *Run* from the *Start* menu and type **telnet <IP>**)
- The default username (login) and password are *ge* and *ge*
- A command-line configuration interface is entered

SSH

SSH (Secure SHell) combines user authentication with encryption, to provide a higher degree of communication security. In any case, the user access rights are the same regardless of the service/interface used.

Below is a sample SSH session using a popular SSH client (*putty*):

- Start the SSH client application (**putty.exe**)



- In the *Host Name* section specify the card hostname or the IP address
- In the *Connection Type* section select SSH
- Select *Open* to launch the SSH session

NOTES

The SNMP/Web adapters use the standard SSH port

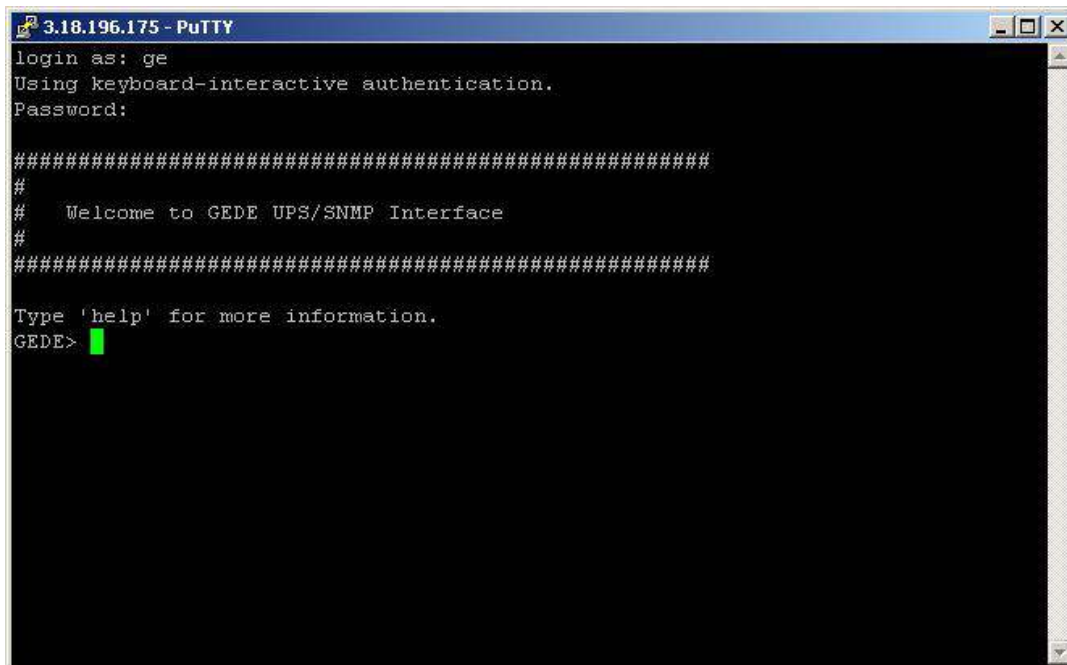
The SNMP/Web adapters support both SSH v1 and SSH v2

Normally, no further settings are required. In any case, SSH protocol and version settings are accessible on putty on the SSH category on the left-hand side menu

- Most SSH clients display the host key fingerprint at the start of the session. Make sure the fingerprint shown matches the SNMP/Web adapter fingerprint (see *Encryption* section for details on figuring out the SSH fingerprint)



- A login window should then be available in a few seconds. The default username (login) and password are *ge* and *ge*



2.1.3 Log-on

User authentication requires inputting the username and password. Remember that:

- Both username and password are case-sensitive, and are always specified in lower case
- By default, only one user is defined, with username and password set to *ge* and *ge*
- Depending on the user class, not all commands and settings may be available

2.1.4 Saving the settings

Apart from some network parameters, most settings are immediately active. However, the adapter will revert to the last saved settings at reboot. Therefore, in order to permanently modify the SNMP/Web adapter setting, remember to save the configuration after every change.

2.2 COMMAND LIST

The various commands are split in different groups, depending on the involved functionality, and are listed here in accordance with their group classification.

The command-line interface includes a command auto-completion feature. Normally, typing a command without any parameter displays usage information on the command. A *help* command is also available.

Note that all commands are case-sensitive.

2.2.1 General command group

The *general* command group consists of the following commands:

Command	Parameters	Description
<i>help</i>	general network dns user service time smtp snmp trap ups syslog	Show help information <i>general</i> shows all general commands <i>network</i> shows all network commands <i>dns</i> shows all dns commands <i>user</i> shows all user management commands <i>service</i> shows all service commands <i>time</i> shows all time commands <i>smtp</i> shows all smtp commands <i>snmp</i> shows all snmp commands <i>trap</i> shows all trap commands <i>ups</i> shows all ups commands <i>syslog</i> shows all syslog commands
<i>list</i>		List all available commands
<i>version</i>		Display the board FW version
<i>logout</i>		User logout NOTE: Auto-logout after 10 min inactivity
<i>exit</i>		User logout
<i>passwd</i>		Change current user password
<i>ping</i>	[hostname] [X.X.X.X]	Ping IP address or hostname <i>hostname</i> fully qualified hostname <i>X.X.X.X</i> IP-address
<i>nvdefault</i>		Reset the configuration to factory default
<i>nvsave</i>		Save changes to non-volatile memory
<i>nvdump</i>		Dump configuration file (<i>gedeps.cfg</i>) to FTP area
<i>nvupdate</i>		Update the SNMP/Web configuration with the <i>gedeps.cfg</i> file from the FTP area NOTE: The adapter performs no checks on the received file. Make sure the file format is correct - unexpected behaviour may occur.
<i>upgrade</i>		Start the upgrade with the uploaded firmware NOTE: FW file to be uploaded via FTP
<i>reboot</i>		System restart (soft-reset) NOTE: All unsaved changes will be lost

2.2.2 Network command group

The *network* command group allows to configure the board for communication over the network.

Command	Parameters	Description
<i>showip</i>		Show the current network settings
<i>arp</i>		Show ARP table
<i>boot-method</i>	manual dhcp bootp	Define the network settings at boot-up (*) <i>manual</i> static IP configuration, the device configuration (ref. <i>setip</i>) is used <i>dhcp</i> network settings retrieved from DHCP server <i>bootp</i> network settings retrieved from BOOTP server
<i>setip</i>	[address] [netmask] [gateway]	Set static IP/mask/default gateway <i>[address]</i> IP-address <i>[netmask]</i> Subnet mask <i>[gateway]</i> Default gateway IP-address NOTE: <i>network settings can be specified manually only when boot-method is set to manual</i>
<i>hostname</i>	[hostname]	Define the full qualified domain name <i>[hostname]</i> Full qualified domain name
<i>dhcphost</i>	on off	Get the hostname from DHCP server NOTE: <i>This functionality is disabled (off) by default</i>
<i>mii-tool</i>	recheck	As most network devices, SNMP/Web adapters use an auto-negotiation protocol to communicate what media technologies they support, and then select the fastest mutually supported media technology. Running this command shows the negotiated media.
<i>speedduplex</i>	auto 100baseTx-FD 100baseTx-HD 10baseT-FD 10baseT-HD	As most network devices, SNMP/Web adapters use an auto-negotiation protocol to communicate what media technologies they support, and then select the fastest mutually supported media technology. Some passive devices, such as single-speed hubs, are unable to auto-negotiate. To handle such devices, the SNMP/Web adapter can be forced to operate in one mode, instead of auto-negotiating.
<i>menu</i>		Quick network configuration menu Running this command lunches an interactive menu – follow the on-screen instructions

(*) **NOTE:** Network settings become effective only after a reboot. Therefore, if these settings must be modified, the following actions shall be performed in sequence:

- Update the settings, using the applicable command
- **Save the settings** – *nvsave* command. Always remember that unsaved settings are lost in case of reset / reboot
- Reboot the card – *reboot* command

Setting the *boot-method* to manual has the side effect that *manual-dns* is also set to ON. Mind that the reverse is not true (setting *boot-method* to DHCP does not forced *manual-dns* to OFF). However, if the boot method is set through the quick network configuration menu, setting the *boot-method* to DHCP will also force *manual-dns* to OFF.

Unlike network settings, the DNS settings become immediately active.

2.2.3 DNS command group

The *dns* command group allows to configure the setting for hostname address resolution.

Command	Parameters	Description
<i>showdns</i>		Show detailed DNS settings
<i>manual-dns</i>	on off	Define DNS configuration <i>on</i> Use DNS server address specified manually <i>off</i> Obtain DNS server address automatically
<i>addnssrv</i>	[X.X.X.X]	Add a DNS Server [X.X.X.X] DNS server IP-address NOTE: In order to replace a DNS server address, remove the DNS server first and then add the new one.
<i>deldnssrv</i>	[X.X.X.X]	Delete a DNS Server [X.X.X.X] DNS server IP-address
<i>nslookup</i>	[host] [server]	Test DNS settings address resolution [host] hostname [server] DNS server IP-address (optional) RESULT: Successful Server: [DNS server hostname] Address: [DNS server IP address] Name: [host] Address: [Resolved IP address for the host] Unsuccessful [host]: No address associated with the name Or [host]: Hostname lookup failure

NOTE: DNS settings may be critical for the SNMP/Web adapter operation. Incorrect DNS configuration may compromise the functionality of other network services. Therefore make sure the DNS is correctly configured, especially when a manual configuration is selected.

2.2.4 User command group

The *user* command group is available **only to the supervisor user**, the only user who can perform user management.

Command	Parameters	Description
<i>supername</i>	[name]	Change supervisor login name <i>[name]</i> New supervisor username NOTE: By default, the superuser is the only configured user with username and password set to ge and ge .
<i>showuser</i>		Show user settings
<i>adduser</i>	[user] [http] [telnet] [ftp] [access]	Add a user <i>[user]</i> username for the new user <i>[telnet]</i> 1 - access allowed / 0 - not allowed <i>[http]</i> 1 - access allowed / 0 - not allowed <i>[ftp]</i> 1 - access allowed / 0 - not allowed <i>[access]</i> 'ro' - read-only / 'rw' - read/write NOTE: After entering the command, the console prompts for the password, which needs to be re-confirmed.
<i>deluser</i>	[name]	Delete a user <i>[name]</i> User to be deleted
<i>moduser</i>	[user] [http] [telnet] [ftp] [access]	Modify services and access rights for a user <i>[user]</i> username for the new user <i>[telnet]</i> 1 - access allowed / 0 - not allowed <i>[http]</i> 1 - access allowed / 0 - not allowed <i>[ftp]</i> 1 - access allowed / 0 - not allowed <i>[access]</i> 'ro' - read-only / 'rw' - read/write

NOTE: The indicated services refer to the following access methods:

http	Web interface	Controls access with both HTTP and HTTPS protocols
telnet	Remote console interface	Controls access with both Telnet and SSH (Secure SHell) protocols
ftp	File transfer	Controls access with both FTP and SFTP (Secure FTP) protocols

NOTE: Both username and passwords are case sensitive. It is recommended to always use lower case for both.

2.2.5 Service command group

The *service* command group allows to enable/disable different services. Note that the local (serial) connection cannot be disabled.

Command	Parameters	Description
<i>http-server</i>	on off	Enable/disable HTTP server (port:80) <i>on</i> Web server enabled <i>off</i> Web server disabled
<i>https-server</i>	on off	Enable/disable HTTPS server (port:443) <i>on</i> Secure web server enabled <i>off</i> Secure web server disabled
<i>ssh-server</i>	on off	Enable/disable SSH encryption (port:22) <i>on</i> SSH encryption enabled <i>off</i> SSH encryption disabled NOTE: <i>SSH encryption enables / disables both SSH (Secure SHell) and SFTP (Secure FTP)</i>
<i>ftp-server</i>	on off	Enable/disable FTP server (port:21) <i>on</i> FTP server enabled <i>off</i> FTP server disabled
<i>telnet-server</i>	on off	Enable/disable Telnet server (port:23) <i>on</i> Telnet server enabled <i>off</i> Telnet server disabled
<i>makecert</i>	sitename	Create new digital certificate for the HTTPS server (*) <i>sitename</i> The DNS name / IP address of the adapter
<i>ssh-fingerprint</i>		Show the SSH key fingerprint (*)
<i>ssl-fingerprint</i>		Show the web server digital certificate fingerprint (also known as thumbnail) (*)
<i>ca-fingerprint</i>		Show the digital certificate fingerprint (also known as thumbnail) for the CA Root Certificate (*)
<i>showftp</i>		Show FTP server info and connections
<i>showlogin</i>		Show detailed telnet/ssh login information

(*) Refer to the *Encryption* section for details.

2.2.6 Time command group

The *time* command group allows to enable/disable different services. Note that the local (serial) connection cannot be disabled.

Command	Parameters	Description
<i>showtime</i>		Show all configured time settings
<i>ntponoff</i>	on off	Enable/disable NTP client <i>on</i> NTP client enabled <i>off</i> NTP client disabled
<i>ntp-server</i>	[hostname]	Define NTP server <i>[hostname]</i> hostname or IP-address of the NTP server NOTE: using hostnames requires DNS connection.
<i>ntpdate</i>		Force clock synchronisation with NTP server
<i>tmzone</i>	(*)	Set the time-zone. NOTE: the time-zone controls both the time difference with respect to GMT and the daylight-saving settings. As the time-zone is specified as a Region/Country pair, selecting the correct time-zone will ensure that the adapter computes the correct time.
<i>settime</i>	MMDDhhmm[[CC]YY][.ss]	Set the date & time <i>MM</i> month <i>DD</i> day <i>hh</i> hour <i>mm</i> minute <i>[CC]YY</i> year <i>ss</i> seconds

(*) By running the *tmzone* command, an interactive menu is launched – follow the on-screen instructions.

NOTE: When using the local serial connection, make sure that the terminal emulation is set to VT-100, otherwise the interactive menu may not be rendered correctly.

2.2.7 Sntp command group

The *sntp* command group allows to configure the e-mail sending functionality for e-mail notification of UPS events and alarms:

Command	Parameters	Description
<i>showsmtp</i>		Show detailed e-mail settings
<i>email-alert</i>	on off	Enable/disable email functionality <i>on</i> E-mail alert enabled <i>off</i> E-mail alert disabled
<i>smtp-server</i>	[hostname]	Set SMTP server address <i>[hostname]</i> hostname/IP-address of the SMTP server NOTE: <i>using hostnames requires DNS connection.</i>
<i>email-authen</i>	on off	Enable/disable authentication for email server <i>on</i> E-mail server requires authentication <i>off</i> E-mail server does not require authentication
<i>email-account</i>	[user]	Set email server account <i>[user]</i> Username for e-mail server authentication
<i>email-passwd</i>	[pwd]	Set email server password <i>[pwd]</i> Password for e-mail server authentication
<i>smtp-sendername</i>	[sender]	Set the 'mail from:' header <i>[sender]</i> E-mail address (63 chars max) NOTE: <i>This may be a critical parameter, as some SMTP servers require a valid sender address within a specified domain. Confirm the exact requirement with your service provider or IT function.</i>
<i>addrcpt</i>	[e-mail]	Add a recipient address <i>[e-mail]</i> E-mail address (63 chars max) NOTE: <i>Maximum 8 recipients can be defined.</i>
<i>delrcpt</i>	[e-mail]	Delete a recipient address <i>[e-mail]</i> E-mail address (63 chars max)
<i>sendemail</i>	[msg]	Send a test mail <i>[msg]</i> Test message to be send

2.2.8 Snmp command group

The *snmp* command group allows to configure the SNMP Agent for UPS monitoring via SNMP and trap notification of UPS events and alarms:

Command	Parameters	Description
<i>showsnmp</i>		Show detailed system information
<i>snmpport</i>	[port]	Set SNMP server listening port (*) [port] SNMP port NOTE: Default SNMP port is 161.
<i>snmp-server</i>	on off	Enable/disable SNMP Agent <i>on</i> SNMP Agent enabled <i>off</i> SNMP Agent disabled
<i>syscontact</i>	[contact] (**)	Set the system contact [contact] contact person NOTE: The <i>syscontact</i> parameter is the identification of the contact person for the managed node.
<i>syslocation</i>	[location] (**)	Set the system location [location] location name NOTE: The <i>syslocation</i> parameter is the identification of the physical location of the managed node.
<i>getcommunity</i>	[community]	Defines the community name for receiving SNMP information (GET). [community] community name NOTE: The <i>get community</i> name controls access to the SNMP Agent – the community in the request must match the <i>getcommunity</i> parameter. The default value is public .
<i>setcommunity</i>	[community]	Defines the community name for writing SNMP information (SET). [community] community name NOTE: The <i>set community</i> name controls access to the SNMP Agent – the community in the request must match the <i>setcommunity</i> parameter. The default value is private .

(*) Changing the port causes the SNMP Agent to restart. This might have a temporary effect also on trap notification.

(**) Both parameters have a maximum length of 63 chars. If these parameters contain blanks or special characters they shall be specified in between double quotation marks ("...").

2.2.9 Trap command group

The *trap* command group allows to configure the trap sending functionality. With SNMP traps various systems can be notified in case of UPS events and alarms.

Command	Parameters	Description
<i>showtrap</i>		Show detailed trap configuration
<i>sendtrap</i>	on off	Enable/disable send trap [RFC1628] function <i>on</i> Trap sending enabled <i>off</i> Trap sending disabled
<i>sendgetrap</i>	on off	Enable/disable send trap [GE-MIB] function <i>on</i> Trap sending enabled <i>off</i> Trap sending disabled NOTE: 3-ph version ONLY
<i>addtraptgt</i>	[X.X.X.X] v1 v2 [community] [port]	Add a trap address <i>[X.X.X.X]</i> IP-address of the trap target <i>v1 v2</i> SNMP version (optional – default: v1) <i>[community]</i> community name (optional – default: public) <i>[port]</i> port to which the trap will be sent (optional – default 162) NOTE: Maximum 20 recipients can be defined.
<i>deltraptgt</i>	[X.X.X.X]	Delete a trap address <i>[X.X.X.X]</i> IP-address of the trap target

2.2.10 UPS command group

The UPS command group allows monitoring and configuration of the managed UPS system.

Command	Parameters	Description
<i>upsinfo</i>	(*)	Show detailed UPS information
<i>upstest</i>	(*)	Start/Stop UPS tests
<i>upscontrol</i>	(*)	Control the UPS (1-ph/SP versions ONLY)
<i>upsconfig</i>	(*)	Configure UPS parameters
<i>attacheddevice</i>	[device]	Set UPS attached device [device] Device which is powered/protected by the UPS NOTE: Maximum length 63 chars. If this parameter contain blanks or special characters it shall be specified in between double quotation marks ("...")
<i>alarmdelay</i>	[time]	Set alarm delay time (1-ph/SP version ONLY) [time] Time in seconds before alarm notification NOTE: This parameters is factory set to its ideal value and shall not be changed unless instructed to do so
<i>retrydelay</i>	[time]	Set retry delay time (1-ph/SP version ONLY) [time] Time in seconds between re-connection attempts NOTE: This parameters is factory set to its ideal value and shall not be changed unless instructed to do so
<i>retrycount</i>	[count]	Set retry count (1-ph/SP version ONLY) [count] Number of re-connection attempts NOTE: This parameters is factory set to its ideal value and shall not be changed unless instructed to do so
<i>serialbypass</i>	on off	Enable/disable the serialbypass functionality NOTE: This command is offered for UPS service access ONLY. It use outside of this scope is not recommended (enabling this functionality stops the UPS monitoring)
<i>cardaddress</i>	[address]	Show/Set card address on the IMV bus [address] Card address in the range 0, 54-57 NOTE: This setting may overrides the HW setting through the dip-switches on the card. Setting this parameter to 0 reverts to the HW settings. This setting becomes active only after reboot (save the settings!)
<i>readonlymode</i>	on off	Enable/disable write commands to the UPS NOTE: 1-ph/SP versions ONLY

(*) By running these commands, an interactive menu is launched – follow the on-screen instructions. The menu also provide a complete on-line help section.

NOTE: When using the local serial connection, make sure that the terminal emulation is set to VT-100, otherwise the interactive menu may not be rendered correctly.

Caution! Some of these commands (particularly *upscontrol* and *upsconfig*) may inject commands and/or alter the UPS configuration with consequences on the UPS operation that may affect the load. Make sure you fully understand the effect on the UPS and on the load before injecting any of these commands. Make sure that it is safe to perform the desired operation for both the UPS and the load.

2.2.11 Log command group

The *log* command group allows to access the logs maintained by the SNMP/Web adapters.

Command	Parameters	Description
<i>syslog</i>		Dump the System log to the console
<i>upslog</i>		Dump the UPS log to the console (1-ph/SP version ONLY)
<i>logdump</i>		Dump the System and UPS log to the FTP area
<i>clearlog</i>		Clear the UPS event log (1-ph/SP version ONLY)

3 WEB INTERFACE

3.1 INTRODUCTION

The SNMP/Web adapters provide a web interface by implementing an embedded web server. This interface allows to configure the adapter in order to monitor and manage the UPS.

3.1.1 Supported browsers

The use of non-standard / deprecated HTML tags has been avoided in order to guarantee compatibility with the most commonly used browsers. Although the web page rendering may not be identical in different browsers, it should always be visually consistent.

The web interface has been tested using the following browsers:

- Microsoft Internet Explorer 6.0, 7.0
- Mozilla Firefox 1.5
- Opera 9.01
- Netscape browser 8.1

3.1.2 Initial web access

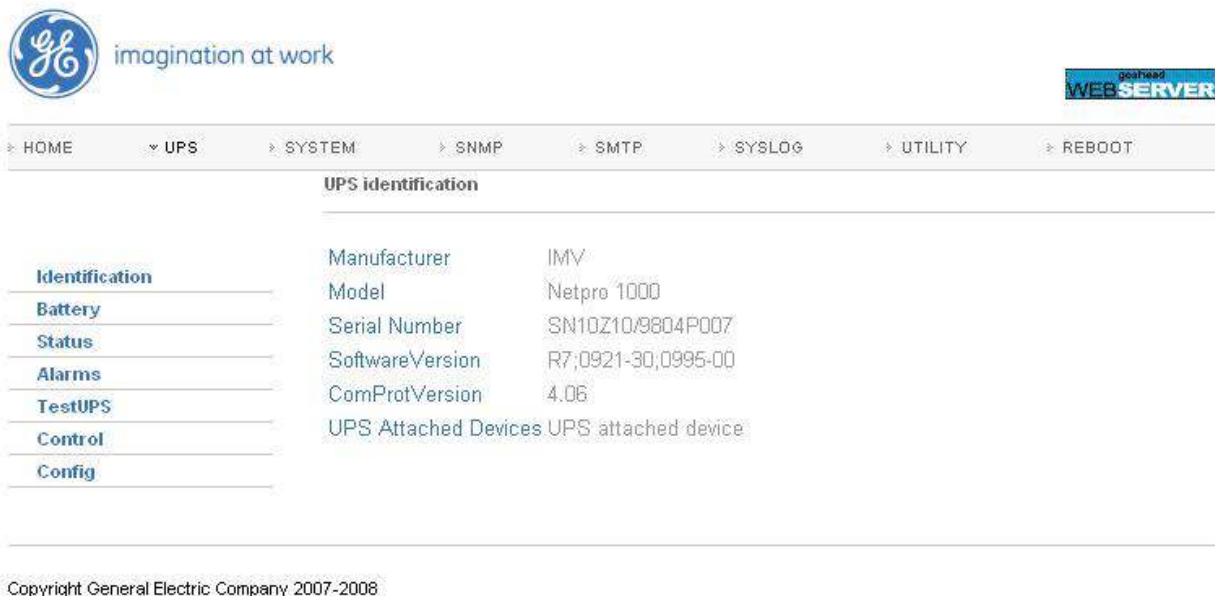
Enter the SNMP/Web adapter address in the web browser URL field to access the web interface. Either the adapter IP address or the hostname can be used (DNS resolution of the hostname must be ensured in the latter case). You will be presented with the web server initial page.

Note that authentication (username / password pair) can be required. The only user configured by default is the supervisor with username /password set to *ge* and *ge*.

In case any problem is encountered during web access refer to the *Troubleshooting* section.

3.1.3 Sample page

A sample web page is shown in the following picture:



Each page features a top navigation bar that directs to the main functionalities of the adapter. Additionally, there can be a side navigation menu that allows accessing different pages dealing with a specific functionality.

3.1.4 Saving the settings

Apart from some network parameters, most settings are immediately active. However, the adapter will revert to the last saved settings at reboot. Therefore, in order to permanently modify the SNMP/Web adapter setting, remember to save the configuration after every change.

3.2 NAVIGATION BAR

The top navigation bar features the following items:

- *Home*: is the web server home page, showing basic information on the system and the network settings
- *UPS*: access to the UPS section, for UPS monitor, control and configuration
- *System*: adapter configuration (network settings, time management, etc.)
- *SMTP*: configuration and control of the e-mail notification functionality
- *SNMP*: configuration of the SNMP Agent and trap notification
- *Log*: UPS log and System log
- *Utility*: various utility applications (e.g. DNS lookup, media technology selection and verification) and service enable page
- *Save*: save the current settings and/or force a reboot
- *User*: user management

The following paragraphs will detail each single section

3.3 UPS SECTION

The UPS pages can be split in two different sections: UPS monitoring and UPS control.

The *Identification*, *Battery*, *Status*, *Alarms* and *PMAD* pages are part of the UPS monitoring section. These pages allow to remotely access the UPS status and measurements. Please note that each specific UPS model may implement a subset of the available measurement – data not available for the specific UPS is marked as *N/A*.

The *Test*, *Control* and *Config* pages are part of the UPS control sections. Once again, the supported command and configuration options depend on the specific UPS model. Unsupported options are marked as *N/A* and cannot be set. It must be stressed that some of the commands will affect the UPS and may cause alarms or UPS malfunction and eventually switch off the UPS (as is the case with the shutdown command).

Caution! Make sure you fully understand the effect on the UPS and on the load before injecting any command or altering any configuration parameter.

In a 3-ph parallel UPS system, the SNMP/Web adapter presents the readings from every single UPS and from the overall system.

3.3.1 UPS Identification page

The *UPS Identification* page shows the following information:

- UPS Manufacturer
- UPS Model
- Serial Number
- Software Version – the version of the main UPS control board firmware
- Protocol Version – the version of the serial protocol used to communicate with the UPS
- UPS Attached Devices – identification of the devices attached to the UPS output (as set by the administrator).

3.3.2 Battery page

The *Battery* page shows the following information.

Parameter Name	Description
<i>Battery Status</i>	The current status of the battery: 1 – unknown 2 – normal The remaining run-time on batteries is greater than the UPS low battery time (ref. <i>UPS Config</i> page) 3 – low The remaining run-time is less than or equal the UPS low battery time (ref. <i>UPS Config</i> page) 4 – depleted The battery would be unable to sustain the load, if mains power is lost
<i>Seconds On Battery</i>	The time elapsed since the UPS switched to battery power (in seconds)
<i>Estimated Minutes Remaining</i>	An estimate of the remaining run-time on batteries, under present load conditions (in minutes)
<i>Estimated Charge Remaining</i>	An estimate of the remaining battery charge (in percentage – 100% is full charge)
<i>Battery Voltage</i>	The present battery voltage (in Volts)
<i>Battery Current</i>	The battery flowing from/to the battery (in Amperes)
<i>Battery Temperature</i>	The ambient temperature of the UPS batteries (in °C)
<i>Battery Ripple</i>	The RSM ripple on the DC link (in Vrms)

3.3.3 UPS Status page

The *UPS status* page shows the following information for each of the input / output / bypass lines.

Parameter Name	Description
<i>Frequency</i>	Line frequency (in Hertz)
<i>Voltage</i>	Line RMS voltage (in Volts)
<i>Current</i>	Line RMS current (in Amperes)
<i>Power / True Power</i>	Line True Power (in Watt)
<i>Load %</i>	The power capacity presently being used (percentage) [Output only]
<i>Volt min</i>	Lowest input voltage in the present time-period (in Volts) [Input only]
<i>Volt max</i>	Lowest input voltage in the present time-period (in Volts) [Input only]

Also the following information is presented:

Parameter Name	Description
<i>Input Line Bads</i>	Number of times the mains input went out-of-tolerance since UPS start-up
<i>Output Source</i>	The present source of the output power Note: <i>none</i> means there is no output power

Finally, a 3-ph system featuring the PMAD functionality will also show the following:

Parameter Name	Description
<i>Power factor</i>	The present output power factor. A positive value indicates an inductive load; while a negative value indicates a capacitive load. Note: the power factor cannot be reliably determined in low load conditions. In this case, the value will not be available (N/A)
<i>Peak current</i>	The output peak current
<i>Share current</i>	In a parallel system ideally all the UPS are requested to contribute to the load with the same amount of current, i.e. with no current share. The current share occurs when an UPS exchanges some current with another UPS, so that this current component doesn't feed the load. The PMAD functionality detects the amount of share currents in a parallel system. Obviously, single system do not provide this functionality and will show this value as not available (N/A).

3.3.4 UPS Alarm page

This page presents the UPS active alarms (if any) with an indication of the time elapsed since the activation (in seconds). Once again, the supported alarms depend on the specific UPS model.

For the meaning of each specific alarm refer to the relevant UPS documentation.

3.3.5 UPS PMAD page (3-ph version ONLY)

This page presents diagnostic related readings from UPSs implementing the PMAD (Preventive Maintenance and Advanced Diagnostic) functionality. These include the following:

Parameter Name	Description
<i>Life Time</i>	The remaining time before a check of the specific devices / system is required
<i>Mains Statistics</i>	Count of failures and transients on mains input and bypass
<i>Bus Communication</i>	Qty of UPSs: Number of UPSs as currently seen in the parallel system. (The reset button forces a refresh of the count and the display) Channel table: The table shows the actual communication status over the two redundant buses between the unit currently selected (in green bold) and other units.

3.3.6 UPS Test page

This page presents allows to initiate a specific UPS test, and reports the status of the last performed test (if any). The page includes a table with clear explanation of the test result reading.

For an explanation of the various test procedures please refer to the applicable UPS documentation.

3.3.7 UPS Control page (1-ph/SP units ONLY)

The UPS control page mainly controls UPS shutdown and reboot behaviour. As previously stated, these commands will impact the UPS and may have effect on any load applied to the UPS. It is therefore important to fully understand the consequences of any settings performed through this page.

Parameter Name	Description
<i>Shutdown type</i>	The action to be taken when the UPS is commanded to shutdown 1 – output The output of the UPS is switched off 2 – system The entire UPS system is switched off
<i>Shutdown after delay</i>	Specifies a time (in seconds) after which the UPS will shutdown -1 disables the procedure 0 immediate shutdown
<i>Startup after delay</i>	Specifies a time (in seconds) after which the UPS will start-up -1 disables the procedure 0 immediate start-up
<i>Reboot</i>	The UPS will shutdown immediately, and will remain off for the specified time (in seconds), after which the UPS will restart -1 disables the procedure
<i>Auto-Restart</i>	On – the UPS will restart right after the shutdown Off – the UPS will not restart after the shutdown

Caution! These commands may switch off the UPS output, therefore leaving the load with no power. Make sure you fully understand the effect on the UPS and on the load before injecting any of these commands. Make sure that it is safe to perform the described operation for both the UPS and the load.

3.3.8 UPS Config page

The page lists the main UPS configuration parameters. Normally, these parameters are pre-configured at the factory and there is no need to change them. Furthermore, forcing an incorrect configuration may impair the UPS functionalities and severely affect the load. It is therefore recommended not to alter any configuration settings unless informed and instructed to do so.

3.4 SYSTEM SECTION

3.4.1 Network page

Network configuration of the card – refer to the NETWORK CONFIGURATION chapter within this manual.

Note that the settings on this page will only take effect after a reboot of the card.

3.4.2 Date&Time page

Through this page it is possible to configure the adapter date and time settings. The SNMP/Web adapter features an internal real-time-clock, and provides different ways to synchronise its clock with the actual time:

- *NTP server*: the card will periodically re-synch its internal date and time with the NTP server
- *Manual*: the card date and time are set by the user
- *Browser*: the card date and time will synch with the browser time

Regardless of the chosen configuration, make sure the correct timezone is selected. The timezone setting also affects autocorrection for the daylight saving time.

3.4.3 Password page

This page allows the currently connected user to modify its password. Clearly, this page only allows modification to the current users. The account of other users can be managed only by the uspservisor users in the User section.

3.4.4 Configuration page

In this page, the SNMP/Web adapter configuration file is shown in a text area. The configuration file can be exported by pressing the *Highlight* button and copying the selected text (e.g. CTRL+C) to a separate application.

3.4.5 Upgrade page

This page shall only be accessed when the SNMP/Web adapter SW is to be upgraded. Refer to the section for details on the SW upgrade process.

NOTE: Use only GE officially released SW. Only perform the SW upgrade when requested to do so by GE.

3.5 SNMP SECTION

The SNMP section deals with SNMP and trap configuration.

3.5.1 SNMP settings page

The most relevant SNMP settings are the following:

Parameter Name	Description
<i>Port Number</i>	Set SNMP server listening port. Default port is 161.
<i>Get Community</i>	Defines the community name for receiving SNMP information (GET). The get community name controls access to the SNMP Agent – the community in the request must match the <i>getcommunity</i> parameter. The default value is public .
<i>Set Community</i>	Defines the community name for writing SNMP information (SET). The set community name controls access to the SNMP Agent – the community in the request must match the <i>setcommunity</i> parameter. The default value is private .

3.5.2 Trap settings page

This page allows to configure up to 20 recipients of SNMP traps. The most relevant settings are the following:

Parameter Name	Description
<i>Trap destination</i>	IP-address of the trap target
<i>Community</i>	Community name (optional – default is public)
<i>V2</i>	Controls SNMP trap version: If unchecked, v1 traps are sent (default) If checked, V2 traps are sent
<i>Port</i>	Port to which the trap will be sent (optional – default 162)

3.6 SMTP SECTION

The *SMTP* page controls the e-mail notification functionality. The basic settings are the following:

Parameter Name	Description
<i>SMTP Server</i>	Hostname or IP-address of the SMTP server
<i>Sender name</i>	The MAIL FROM field of the mail message
<i>Recipient e-mail address</i>	The RCPT TO field of the mail message

If the SMTP server requires authentication, the following sections shall also be defined.

Parameter Name	Description
<i>Account</i>	Username for SMTP server authentication
<i>Password</i>	Password for SMTP server authentication

3.7 LOG SECTION

This section offers access to the System and the UPS log. The System log collects information on user activity, while the UPS log lists UPS events. Both the logs can be exported by copying the relevant text from the page (*Highlight* button followed by CTRL+C).

NOTE: As per current release, the UPS log is available on the 1-ph/SP version ONLY

3.8 UTILITY SECTION

This section includes some useful tools for troubleshooting and configuration:

- *DNS lookup*: a tool for verifying DNS server configuration, useful for troubleshooting DNS problems
- *Mii-tool*: shows the media technology currently selected / negotiated
- *Speed/Duplex*: set the media technology to be used / advertised.
As most network devices, SNMP/Web adapters use an auto-negotiation protocol (*Auto* setting) to communicate what media technologies they support, and then select the fastest mutually supported media technology.
Some passive devices, such as single-speed hubs, are unable to auto-negotiate. To handle such devices, the SNMP/Web adapter can be forced to operate in one of the following modes: *100baseTx-FD*, *100baseTx-HD*, *10baseT-FD* and *10baseT-HD*.
- *Service*: enable / disable the various service interfaces provided over the network
- *CA Root Certificate*: link to the Certification Authority root certificate for download an installation in the Trusted CA repository on the selected browser. Refer to the *Encryption* section for details.

3.9 SAVE SECTION

This section allows to save the current settings to non-volatile memory (*Save*) and/or to reboot the adapter (*Reboot*). Remember that the SNMP/Web adapter will revert to the last saved settings at reboot. Therefore, in order to permanently modify the settings the configuration **must** be saved.

3.10 USER SECTION

This section offers access to the user management web page. Note that this page becomes operative only for the supervisor user (the only user enabled to perform user management).

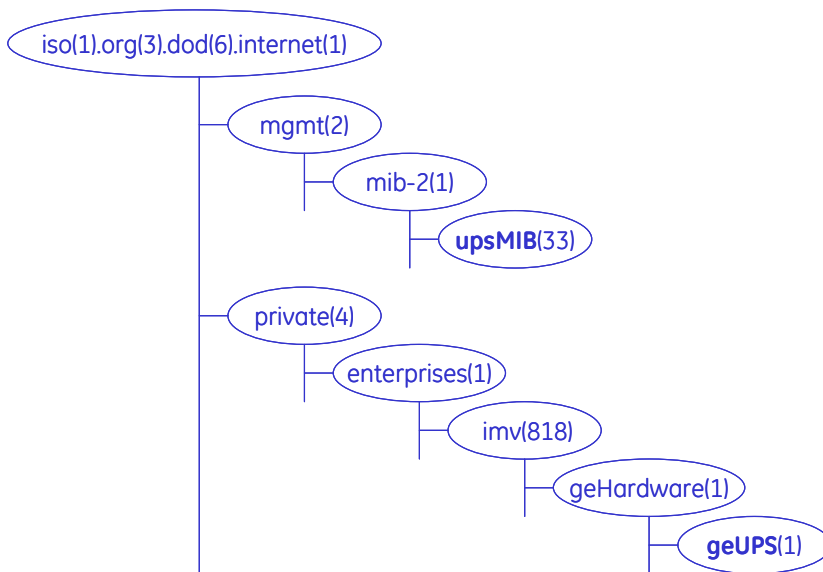
4 SNMP AGENT

The SNMP/web adapters implement an SNMP Agent providing access to OIDs according to the MIB structure, and may generate traps at the occurrence of specific events. This allows one or more NMSs (Network Management Systems) to monitor, manage and control the UPS.

The SNMP Agent complies with the standard UPS-MIB as specified in RFC1628. Limited to the 3-ph SNMP/Web plug-in adapter, additional information is available with the GESingle and GEPParallel MIBs.

The SNMP/Web adapter implements both SNMP v1 and SNMP v2 protocols. Always remember that with these protocols the information travel on the network in plain text. It is therefore recommended to disable the SNMP Agent when this functionality is not used. Refer to the "Security" section of this manual for further details.

4.1 MIB STRUCTURE



RFC1628 MIB is available in the **upsMIB** group.

Additional UPS information is available in the GE MIB under the **geUPS** group (limited to the 3-ph SNMP/Web plug-in adapter).

4.2 RFC1628 MIB OBJECTS

The SNMP/Web adapters support the following RFC1628 Objects:

OIDs

==== **upsIdent** Group ====

upsIdentManufacturer
upsIdentModel
upsIdentUPSSoftwareVersion
upsIdentAgentSoftwareVersion
upsIdentName
upsIdentAttachedDevices

==== **uspBattery** Group ====

upsBatteryStatus
upsSecondsOnBattery
upsEstimatedMinutesRemaining
upsEstimatedChargeRemaining
upsBatteryVoltage
upsBatteryCurrent
upsBatteryTemperature

TRAPS & ALARMS

==== **upsTrap** Group ====

UpsTrapOnBattery
UpsTrapTestCompleted
UpsTrapAlarmEntryAdded
UpsTrapAlarmEntryRemoved

==== **upsWellKnownAlarms** group ====

UpsAlarmBatteryBad
UpsAlarmOnBattery
UpsAlarmLowBattery
UpsAlarmDepletedBattery
UpsAlarmTempBad
UpsAlarmInputBad
UpsAlarmOutputBad
UpsAlarmOutputOverload
UpsAlarmOnBypass

OIDs

==== **upsInput** Group ====

upsInputLineBads
upsInputNumLines
upsInputFrequency
upsInputVoltage
upsInputCurrent
upsInputTruePower

==== **upsOutput** Group ====

upsOutputSource
upsOutputFrequency
upsOutputNumLines
upsOutputVoltage
upsOutputCurrent
upsOutputPower
upsOutputPercentLoad

==== **upsBypass** Group ====

upsBypassFrequency
upsBypassNumLines
upsBypassLineIndex
upsBypassVoltage
upsBypassCurrent
upsBypassPower

==== **upsAlarm** Group ====

upsAlarmsPresent

==== **upsTest** Group ====

upsTestID
upsTestSpinLock
upsTestResultSummary
upsTestResultsDetails
upsTestStartTime
upsTestElapsedTime

==== **upsControl** Group ====

upsShutdownType
upsShutdownAfterDelay
upsStartUpAfterDelay
upsRebootWithDuration
upsAutoRestart

TRAPS & ALARMS

UpsAlarmBypassBad
UpsAlarmOutputOffAsRequested
UpsAlarmUpsOffAsRequested
UpsAlarmChargerFailed
UpsAlarmUpsOutputOff
UpsAlarmUpsSystemOff
UpsAlarmFanFailure
UpsAlarmFuseFailure
UpsAlarmGeneralFault
UpsAlarmDiagnosticTestFailed
UpsAlarmCommunicationsLost
UpsAlarmAwaitingPower
UpsAlarmShutdownPending
UpsAlarmShutdownImminent
UpsAlarmTestInProgress
UpsAlarmReceptacleOff

Note that although the SNMP/Web adapter does support these RFC1628 Objects, any specific UPS model may implement only a subset of the above list. As an example, the upsBypass group object will not be available in units where a bypass line is not available.

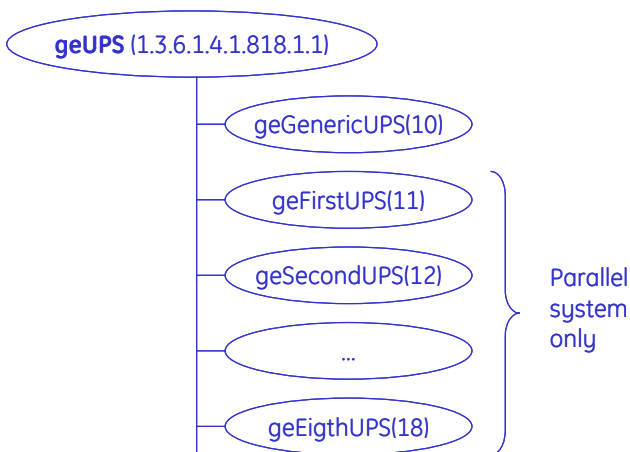
4.3 GE MIB OBJECTS

GE provides private MIBs, which enhance the UPS information available over SNMP interface. These MIBs are only supported on 3-ph SNMP/Web plug-in adapter.

Two different version of the GE private MIB exist:

- GE Single MIB: to be used for monitoring of a 3-ph UPS is single unit configuration
- GE Parallel MIB: to be used for monitoring of a 3-ph parallel UPS system

The MIB structure is shown in the following picture. The *geGenericUPS* group provides information on the unit in stand-alone configuration or on the overall system in a parallel configuration. The *geFirstUPS* ... *geEighthUPS* groups provide information on the units that are part of a parallel configuration.



For each of these groups the 3-ph SNMP/Web plug-in adapter supports the following objects. (Objects marked with [*] do not have a RFC1628 correspondence)

OIDs

==== **upsIdent** Group ====

upsIdentManufacturer
upsIdentModel
upsIdentUPSSoftwareVersion
upsIdentAgentSoftwareVersion
upsIdentName
upsIdentAttachedDevices
upsIdentsUPSSerialNumber [*]
upsIdentComProtVersion [*]
upsIdentOperatingTime [*]

==== **uspBattery** Group ====

upsBatteryStatus
upsSecondsOnBattery
upsEstimatedMinutesRemaining
upsEstimatedChargeRemaining
upsBatteryVoltage
upsBatteryCurrent
upsBatteryTemperature
upsBatteryRipple [*]

==== **upsInput** Group ====

upsInputLineBads
upsInputNumLines
upsInputFrequency

TRAPS & ALARMS

==== **geUPSTraps** & **upsWellKnownAlarms** group

====
upsAlarmBatteryBad
upsAlarmOnBattery
upsAlarmLowBattery
upsAlarmDepletedBattery
upsAlarmTempBad
upsAlarmInputBad
upsAlarmOutputBad
upsAlarmOutputOverload
upsAlarmOnBypass
upsAlarmBypassBad
upsAlarmOutputOffAsRequested
upsAlarmUpsOffAsRequested
upsAlarmChargerFailed
upsAlarmUpsOutputOff
upsAlarmUpsSystemOff
upsAlarmFanFailure
upsAlarmFuseFailure
upsAlarmGeneralFault
upsAlarmDiagnosticTestFailed
upsAlarmCommunicationsLost
upsAlarmAwaitingPower
upsAlarmShutdownPending
upsAlarmShutdownImminent

upsInputVoltage
upsInputCurrent
upsInputTruePower
upsInputVoltageMin [*]
upsInputVoltageMax [*]

==== **upsOutput** Group ====

upsOutputSource
upsOutputFrequency
upsOutputNumLines
upsOutputVoltage
upsOutputCurrent
upsOutputPower
upsOutputPercentLoad
upsOutputPowerFactor [*]
upsOutputPeakCurrent [*]
upsOutputShareCurrent [*]

==== **upsBypass** Group ====

upsBypassFrequency
upsBypassNumLines
upsBypassLineIndex
upsBypassVoltage
upsBypassCurrent
upsBypassPower

==== **upsAlarm** Group ====

upsAlarmsPresent
upsAlarmMaskA [*]

==== **upsTest** Group ====

upsTestID
upsTestSpinLock
upsTestResultSummary
upsTestResultsDetails
upsTestStartTime
upsTestElapsedTime

upsAlarmTestInProgress
upsAlarmReceptacleOff
upsAlarmHighSpeedBusFailure [*]
upsAlarmHighSpeedBusJACRCFailure [*]
upsAlarmConnectivityBusFailure [*]
upsAlarmHighSpeedBusJBCRCFailure [*]
upsAlarmCurrentSharing [*]
upsAlarmDCRipple [*]

Once again, some objects may not be available over the full-range of 3-ph UPSs as these will depend on the UPS model, configuration, enabled features, etc.

5 NETWORK CONFIGURATION

The SNMP/Web adapter network interface is very flexible and can be configured for operation in various environments. This section details all possible network configuration combinations, while it is recommended to refer to Console/Web interface sections for the specific configuration commands / menus.

5.1 ETHERNET CONNECTION

As most advanced network devices, SNMP/Web adapters use an autonegotiation protocol to communicate what media technologies are supported, and then select the fastest mutually supported media technology.

In this context, *media* refers to a 10baseT/100baseTx Ethernet connection in Half-Duplex (HD) or Full-Duplex (FD) mode. The SNMP/Web adapters advertise and support the following media:

- 100baseTx-FD
- 100baseTx-HD
- 10baseT-FD
- 10baseT-HD

This autonegotiation feature is enabled by default. However, some passive devices, such as single-speed hubs, are unable to autonegotiate. To handle such devices, the SNMP/Web adapter can be forced to operate in one specific mode, instead of autonegotiating.

5.2 TCP/IP CONFIGURATION

TCP/IP configuration refers to the settings needed by an SNMP/Web adapter to operate in a TCP/IP network. The selection of the boot method is critical for successful SNMP/Web adapter configuration. The SNMP/Web adapters support the following boot methods:

- **Static IP**
- **BOOTP**
- **DHCP**

The default configuration is DHCP support.

5.2.1 Static IP address

In this case, the TCP/IP settings are manually configured on the adapter, and stored in non-volatile memory. Particularly, the following need to be specified:

- *IP address*: IP address of the SNMP/Web adapter
- *Subnet Mask*
- *Default gateway*: IP address of the default gateway

NOTE: These settings are only available when the boot method is set to *Static IP*.

5.2.2 BOOTP / DHCP

In this case, the SNMP/Web adapter automatically obtains the TCP/IP settings respectively from a BOOTP or a DHCP server.

The default configuration for the SNMP/Web adapters is DHCP support.

If the adapter IP-address is used by other network nodes for accessing UPS information (e.g. NMS systems), make sure the DHCP server assigns a fixed IP to the SNMP adapter.

NOTE: For details on BOOTP and DHCP protocol refer respectively to RFC951 and RFC2131.

5.3 DNS CONFIGURATION

DNS configuration affects the SNMP/Web adapter ability to resolve symbolic hostnames to IP addresses, and may impact other functionality (such as e-mail sending, for example):

The SNMP/Web adapters can be configured to automatically obtain DNS server address (e.g. Primary and Secondary DNS server as specified in the DHCP response). This is the defaults setting.

Alternatively, the IP address of the DNS servers may be specified manually.

The adapters also offer a DNS lookup feature, which allows verification of the DNS setting by sending a DNS query.

NOTE: DNS settings may be critical for the SNMP/Web adapter operation. Incorrect DNS configuration may compromise the functionality of other network services (as an example, some services may require reverse DNS). Therefore make sure the DNS is correctly configured, especially when a manual configuration is selected.

5.4 HOSTNAME

The SNMP/Web adapter is configured with a *hostname*: a fully qualified domain name for the adapter.

The adapter will always include this information in the relevant communication to the DHCP server (option 12 – host name field). The DHCP server may use this information to update the DNS server, so that the adapter will be accessible using its domain name.

The adapter can also be configured to use the hostname as received from the DHCP server. This is NOT the default behaviour and must be explicitly enabled through the console interface using the *dhcphost* command.

6 SECURITY

As any other device connected to a network, the adapters are exposed to security threats. This section details the advanced security features provided by the SNMP/Web adapters. Users should use the information provided in this section to correctly configure the cards and implement all security features deemed appropriate to the installation environment.

6.1 USER AUTHENTICATION & AUTHORISATION

In this context, **authentication** means establishing the digital identity of anyone attempting to access the adapters through one of the available interfaces. Most of the supported protocols implement a username/password pair as a mean for user identification.

This is different from **authorisation**, which means verifying whether a user is allowed to have access to data or specific services.

The SNMP/Web adapters allow making full use of both protection mechanisms.

6.1.1 User Management

The adapters come with a predefined *supervisor* user, whose default username and password are *ge* and *ge*. New users can then be created using either the console or the web interface.

NOTE Only the supervisor user can create new users.

To create a new user, the following information shall be specified:

- Username / password
- User class (access rights)
- Available services

6.1.2 User class

Users are divided in three separate classes based on access rights.

Supervisor	Predefined user; it can be renamed but not deleted; it cannot be created (only one supervisor user is allowed). This user has all access rights. It is the only user who can perform user management (creation/deletion of users).
Read/write access (rw)	Access with read/write rights. Can access and modify all setting with the exception of user management. These access rights should be restricted to professional users (e.g. Network Administrators).
Read-only access (ro)	Access only for reading. Can access most settings but cannot modify them. Most users are expected to be created with this profile.

6.1.3 Selective service activation

The SNMP/Web adapters allow selective service activation – that is, the various interfaces can be enabled on a user basis. For each user, access to the following services can be enabled:

http	Web interface	Controls access with HTTP and HTTPS protocols
telnet	Remote console interface	Controls access with Telnet and SSH (Secure SHell) protocols
ftp	File transfer	Controls access with FTP and SFTP (Secure FTP) protocols

6.2 SERVICES (ACCESS METHODS)

The table below lists the available services (access methods), highlighting the major security features for each interface.

Interface	Access methods	Security features
<i>Local console interface</i>	Serial cable	Authentication via user/pwd pair
<i>Remote console interface</i>	Telnet	Authentication via user/pwd pair Plain text
	SSH (Secure SHell)	Authentication via user/pwd pair Encrypted communication
<i>SNMP Agent</i>	SNMP	Community Name Plain text
<i>File transfer</i>	FTP	Authentication via user/pwd pair Plain text
	SFTP (SSH FTP)	Authentication via user/pwd pair Encrypted communication
<i>Web interface</i>	HTTP	Authentication via user/pwd pair Plain text
	HTTPS (SSL)	Authentication via user/pwd pair Encrypted communication

6.3 ENCRYPTION

As stated above, the SNMP/Web adapter offers interfaces providing encryption for protecting data confidentiality and integrity, and particularly the following:

- SSH (Secure Shell)
- SFTP (SSH File Transfer Protocol)
- HTTPS

In this context, encryption is based on public-key cryptography schemes. Normally, the SNMP/Web adapters will be delivered already configured with all applicable keys and certificates – should the adapter miss these information it will generate them at first start-up (this operation may take some time). The length of the keys used for encryption is 1024 bits, providing complex encryption and a higher level of security.

6.3.1 SSH and SFTP

SSH allows running terminal sessions to the SNMP/Web adapter over a secure channel. SSH uses public-key cryptography. The SSH server is authenticated using a host key as identification. Most SSH clients display the host key fingerprint at the start of the SSH session. Below is an example from a popular SSH client (putty):



The fingerprint may be checked against the information provided by the SNMP/Web adapter to confirm to SSH server identity. On the console interface inject the *ssh-fingerprint* command. Below is a sample output of the *ssh-fingerprint* command:

```
GEDE> ssh-fingerprint
1024 6e:07:31:58:16:91:ae:2e:43:6f:03:64:94:57:55:6d ssh_host_rsa_key.pub
1024 06:97:69:97:cd:93:1b:b6:29:ca:34:e5:8c:35:7c:6e ssh_host_dsa_key.pub
1024 d1:9b:50:13:b3:e3:98:8e:8c:76:49:14:be:21:ed:b3 ssh_host_key.pub
```

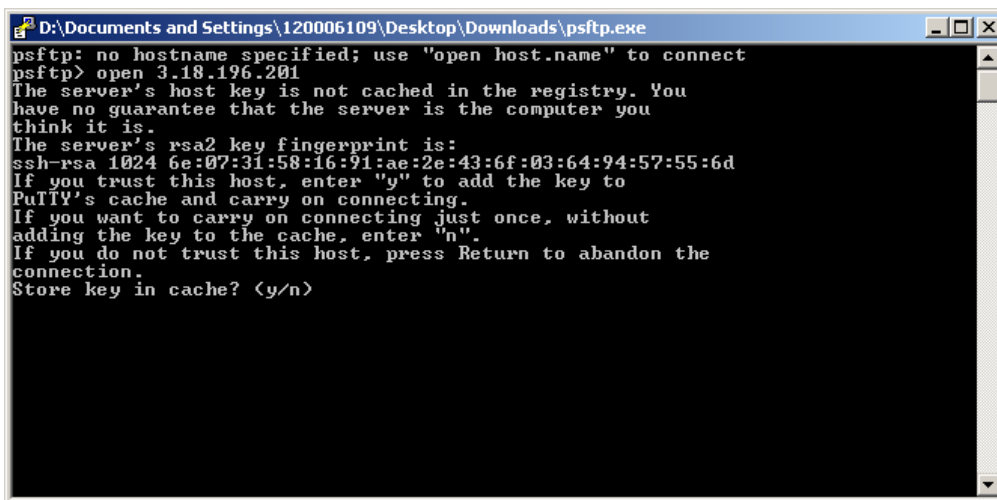
The output can be interpreted as follows:

Key	SSH version	Cryptography algorithm
ssh_host_rsa_key.pub	v2	RSA
ssh_host_dsa_key.pub	v2	DSA
ssh_host_key.pub	v1	RSA

It can be seen in the above example that the fingerprint shown by SSH matches the RSA key for SSH v2 on the *ssh-fingerprint* output.

The SNMP/Web adapter supports both version 1 and version 2 of the SSH protocol. It is recommended to use SSH v2 (if possible), as SSH v1 is generally considered obsolete.

On the other hand, **SFTP** is a file transfer protocol providing secure transfer. It is used in conjunction with the SSH protocol, as SFTP does not provide security by itself but expects the underlying protocol to provide that. Therefore, the key fingerprint can be verified exactly in the same way as with SSH. Below is a sample from a popular SFTP client (sftp):



It can be seen that the key fingerprint is exactly the same.

6.3.2 SSL Certificates

HTTPS is not a protocol itself, but it actually refers to HTTP communication over SSL (Secure Sockets Layer) connection. HTTPS uses public-key cryptography to protect the communication. With HTTPS, the server sends back its identification in the form of a **digital certificate**. The certificate usually contains the server name, the trusted certificate authority (CA), and the server's public encryption key.

The server certificate includes a digital signature from a certification authority. Each browser is normally equipped with a set of CA root certificates of commercial authorities. The web browsers perform a set of verifications over the digital certificate in order to validate the certificate and start the HTTPS communication. The main checks are substantially the following:

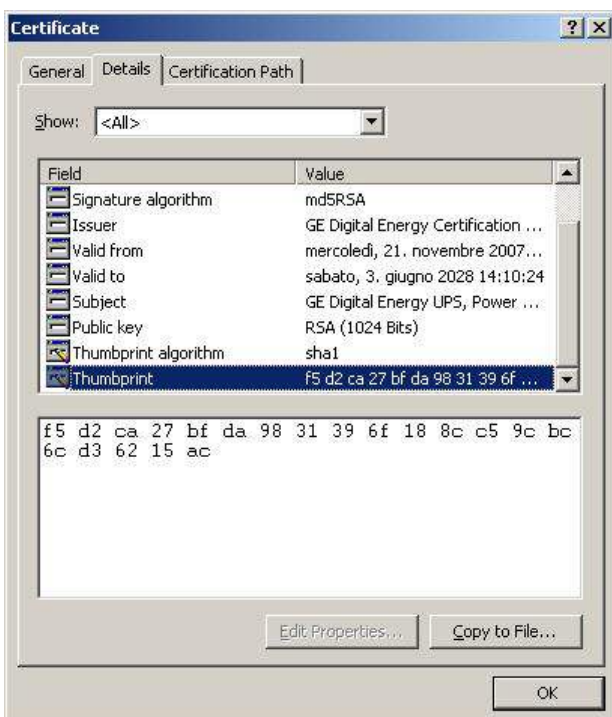
- The client verifies that the issuing Certificate Authority (CA) is on its list of trusted CAs.
- The client checks the server's certificate validity period

Further to this, the client may compare the actual DNS name of the server to the DNS name on the certificate (though this last point may be browser dependent).

Below is a sample of the results of these checks, when browser attempts to establish an HTTP connection to the web server embedded in the SNMP/Web adapter (the sample is take from Internet Explorer, but similar indications can be obtained with the most common browsers):



First of all, in order to verify the actual certificate, its fingerprint (sometimes also knows as thumbprint) can be checked against the one provided by the SNMP/Web adapter. Particularly, select View Certificate and look for the fingerprint/thumbprint:



On the console interface inject the *ssl-fingerprint* command. Below is a sample output of the *ssl-fingerprint* command:

```
GEDE> ssl-fingerprint
MD5 Fingerprint=8F:A1:CE:8B:B3:04:E7:07:90:6D:02:77:6F:EE:9E:22
SHA1 Fingerprint=F5:D2:CA:27:BF:DA:98:31:39:6F:18:8C:C5:9C:BC:6C:D3:62:15:AC
```

It can be seen that the thumbprint shown by the web browser (with thumbprint algorithm shown as *sha1*) matches the SHA1 fingerprint as shown by the *ssl-fingerprint* command.

Furthermore, the SNMP/Web adapters are provided with two different certificates: the server certificate and the CA Root Certificate (the latter has been used to sign the server certificate). The server certificate does not have the digital signature of a commercial CA, trusted by the browser. By installing the CA Root Certificate in the trusted CA repository, the web browser will not show the security warning about trusting the Certificate Authority.

The CA Root Certificate can be downloaded from the embedded web server (in the Utility section), and then it can be installed in the trusted CA repository.

NOTE: It is not mandatory to install the CA Root Certificate – installing it will prevent the browser from generating a security warning message.

Finally, the server certificate's common name will not match the DNS name or the IP address of the SNMP/Web adapter. Although the communication is secure, with the adapter controlling the access to the web interface and the client being able to verify the fingerprint/thumbprint of the certificate, the browser may still issue a warning.

In order to clear this final warning the user may generate a new server certificate so that the common name matches the DNS name / IP address of the SNMP/Web adapter. The server certificate is generated by injecting the *makecert <sitename>* command over the console interface (this command is available only to the supervisor), when the *<sitename>* parameter must obviously match the DNS name / IP address of the adapter. In order to start using the new certificate the SNMP/Web adapter must be rebooted.

NOTE: The new certificate will overwrite the existing one. This operation is not reversible.

6.4 CUSTOMER RESPONSIBILITY

As shown above, the SNMP/Web adapters implement advanced security features. Nevertheless, achieving complete security protection requires the introduction of a comprehensive security program. This section lists some good practices in network security that customers are recommended to adopt.

6.4.1 Physical security

Most of the security features would prove useless if physical access to the equipment is uncontrolled. In fact, physical access is probably the major security hazard for a site.

This problem may be efficiently tackled by installing the equipment in a secure area and by implementing access control policies.

6.4.2 Changing default configuration

It is recommended that users change the adapter default configuration at their very first access. Particularly, it is recommended to focus on the following settings:

- The default username and password for the *superuser* are **ge** and **ge**. It is recommended to change default username and password (by configuring new and unique ones) at the initial card configuration
- Any service is associated with a specific port. The default configuration uses the standard port for each protocol (e.g. 161 for SNMP). If the user specifies a non-standard port for a service this increases security by hiding the relevant interface to malicious users.
- Further to this, SNMP access is controlled by read and set community settings. These respectively default to **public** and **private**. Once again, changing these settings may help in increasing security.

It is clear that username, password and service configuration must remain secret in order to provide an efficient security protection. If this information becomes public the entire authentication method loses effectiveness.

6.4.3 User & Service management

As shown above, the SNMP/Web adapters offer advanced user management features, by offering different access rights and allowing selective activation of services.

It must be noted that every running service exposes the system to a possible attack. Minimising the number of running services may increase overall protection. It is therefore recommended to disable unused services.

6.4.4 Encryption

In most network protocols, sensitive information (e.g. username/password pairs) is transmitted over the network as plain text. This may not be a problem in most installations, but it may become critical when malicious users can gain access to the network traffic.

The introduction of encryption provides a higher degree of security by ensuring that exchanged data cannot be intercepted. The SNMP/Web adapters provide an encryption-protected alternative for the main access methods:

- Web interface: use HTTPS (SSL – Secure Socket Layer) protocol
- Remote console interface: use SSH (Secure Shell) protocol
- File transfer: use SFTP (Secure FTP)

6.4.5 Firewalls

It should be now clear that although some protocols and some access methods might provide a higher degree of security, every customer is encouraged to implement a comprehensive security scheme, of which the SNMP/Web adapters are only a single node.

The partition of the network in sub-networks and the introduction of firewalls with stringent rules are a critical component in the global security program.

7 OTHER FUNCTIONALITIES

7.1 SYSTEM TIME

The SNMP/Web adapter provides means to maintain the system time. Particularly, the adapter will maintain an internal clock when powered-up, while an RTC with battery back-up will hold date/time information when off (or during power-cycles). This system offers a sufficient accuracy in the short term. However, in the longer term the time drift may become significant.

For best results it is recommended to configure the adapter for communication with an NTP server. This forces the system time to be synchronised with an external source, and it will ensure long-term date/time accuracy.

7.2 SERIAL BY-PASS (1-PH/SP VERSION ONLY)

The SNMP/Web adapter offers some diagnostic and UPS Service functionalities. These features are not targeted to the end user. The serial bypass is one of these features, and it is introduced here only for completeness.

With the serial bypass functionality the SNMP/Web adapter are configured in transparent mode. That is, the adapter acts as a relay between its serial port (DB9F local console port) and the serial connection to the UPS control board. This functionality is activated by injecting a *serialbypass on* command through the console interface (either local or remote).

This functionality is only meant to be used for obtaining service access to the UPS, and as such is subject to some limitations. Particularly, it is recommended that the end user does not activate it, as the adapter will signal a Communication Lost alarm.

In case the serial bypass is accidentally enabled, it can be disabled (with full adapter operation restored) by injecting a *serialbypass off* command through the console interface – obviously, only through remote connection, as the local console is not offering console interface access.

At start-up the adapter will always configure its local console interface for normal operation. This means that if the adapter is reset (or reboots) it will exit the serial bypass functionality.

8 MAINTENANCE

8.1 SOFTWARE UPGRADE

The application software in the SNMP/Web adapter may be upgraded (please note that the upgrade procedure can be performed only by the supervisor and by *rw* users). The procedure to upgrade the software is described below:

- Transfer the new software (*gedeapp.tar.gz*) to the device using **ftp** or **sftp**
- Start the upgrade by injecting the *upgrade* command at the console or by pressing the upgrade button in the Upgrade web page (System section)
- Reboot the system to complete the upgrade procedure

Although the procedure itself may seem trivial, there is a set of advices to be considered. First of all, the upgrade procedure has been tested to be safe. However, any interruption to the procedure (even accidental) may cause an abnormal termination. This means that any access to the adapter may be lost if the upgrade procedure is not completed successfully – at that stage, the only recovery mechanism is the adapter replacement. Therefore:

- Never power off or un-plug the device during upgrade
- **Use only GE officially released software**
- Avoid unnecessary upgrades (in line of practice, only perform upgrades when recommended to do so by GE)

8.2 CONFIGURATION FILE

The SNMP/Web adapter settings are stored in non-volatile memory. It is possible to store the settings in a file, download it, or even upload a new configuration file.

To store the settings in a file, inject the *nvdump* command at the console. This will create a *gedeups.cfg* file in the FTP area. The file can then be downloaded via **ftp** or **sftp**.

Also the web interface offers access to the SNMP/Web adapter configuration: *Configuration* page in the *System* section. The configuration is shown in a text area and it can be selected and copied to any text-based editor.

Finally, it is also possible to upload a new configuration file. This procedure can be performed only by the supervisor or *rw* users. Mind that this is not the recommended procedure to change the adapter settings, as the device will not perform any check on the downloaded file – operation of the SNMP/Web adapter may be severely affected by a corrupted configuration file. In any case the procedure is described below:

- Transfer the new configuration file (*gedeups.cfg*) to the device using **ftp** or **sftp**
- Update the configuration by injecting the *nvupdate* command at the console
- Reboot the system to begin using the new configuration

8.3 LOGS

The SNMP/Web adapters maintain a log of the user activity (System log) and a log of UPS events (UPS log). The logs can be accessed over the web interface (*Log* section) or over the console interface (*syslog* and *upslog* commands). The logs can also be stored in a file and downloaded from the adapter. In order to download the log files, inject the *logdump* command at the console. This will create *ups.log* and *sys.log* in the FTP area. The files can then be downloaded via **ftp** or **sftp**.

9 TROUBLESHOOTING

9.1 TROUBLESHOOTING UPS CONNECTION

The SNMP/Web adapter front panel features a LED marked 'UPS'. This LED should be OFF in normal conditions. If the LED is ON then there is a problem in the communication with the UPS.

NOTE: It may take up to one minute for the adapter to synchronise the communication with the UPS.

Also, the SNMP/Web adapter will signal a Communication Lost alarm if communication with the UPS is lost and cannot be re-established.

9.1.1 3-ph SNMP/Web plug-in adapter

The 3-ph plug-in adapter features a dip-switch to configure the card logical address. This setting is critical when two or more cards are installed in the same UPS system. The address of each card MUST be unique – refer to the *Installation* section of the *Installation Guide* for details.

NOTE: In case of address collision with other SNMP/Web adapters the UPS alarm web page will show the following notice: "Address collision. Check adapter configuration"

9.1.2 1-ph SNMP/Web external adapter

The 1-ph external adapter connects to the UPS through cables. In case of problems in the communication with the UPS check the cabling.


The cable for connecting the adapter to the UPS is normally provided with the UPS. Note that two types of communication are possible:

- Intelligent (serial) communication: use VIC-23 or IMV-I cable or straight 1:1 serial cable
- Contact interface communication: use VIC-25 or IMV-C serial cable

The actual cable to be used will depend on the actual UPS make and model – refer to applicable UPS documentation and accessories. In any case, make sure the proper cable is used.

9.2 TROUBLESHOOTING LOCAL CONNECTION

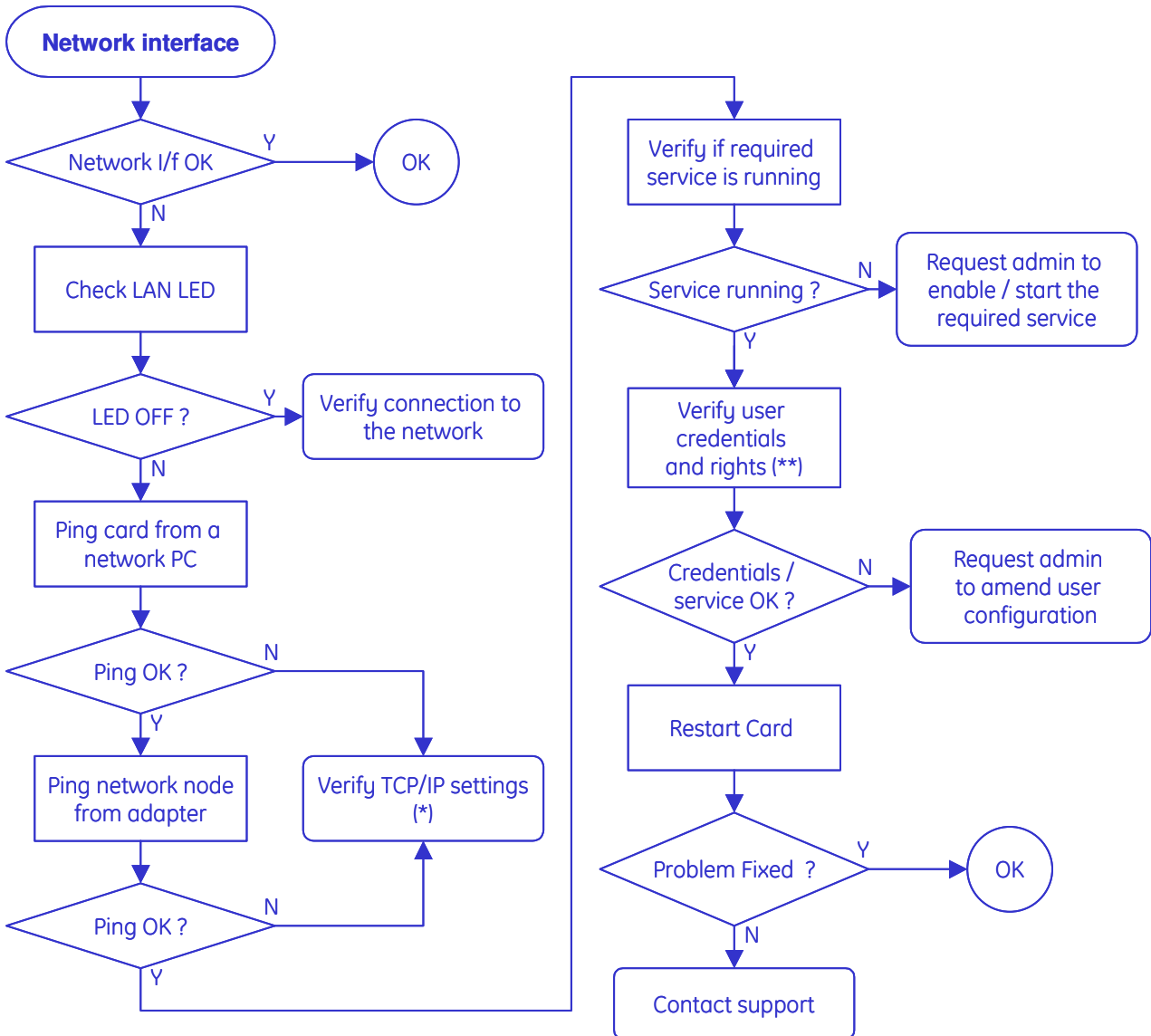
For troubleshooting problems in local (serial) console connection to the adapter refer to the following table.

Problem	Recommended resolution
<p><i>Port already in use</i> – e.g. Windows HyperTerminal reports the following problem:</p> 	<p>Close all applications and services that are currently using the port selected for the connection to the device.</p> <p>Attempt a new connection.</p>
<p><i>Cannot connect to the adapter</i></p>	<p>Check the serial cable (a straight 1:1 serial cable is required) and its connection.</p> <p>Check the settings of the terminal application: <i>115,200bps, 8 data bits, 1 stop bit, parity none, flow control none</i></p>
<p><i>Cannot login to the local console</i></p>	<p>Verify username and password used.</p> <p>Verify that the user has been correctly defined and configured by the administrator.</p>

Problem	Recommended resolution
Cannot use interactive menus	Check the settings of the terminal application: <i>Terminal emulation VT-100</i>

9.3 TROUBLESHOOTING NETWORK CONNECTION

When experiencing difficulties in the network access to the card follow the flowchart below to identify the root-cause of the problem and implement proper corrective actions.



(*) If the adapter and the relevant network node belong to different subnets check the gateway settings.

(**) Credentials are not limited to username and password, but – for example – also include SNMP community name, port, etc. Also, make sure the relevant user configuration allows access to the adapter using the selected interface.

Should you consider contacting your support interface for addressing network connection issues pls. attach a log of the network communication (i.e. capture network traffic with a network protocol analyser).

9.4 TROUBLESHOOTING WEB ACCESS

Refer to the following table for troubleshooting most common problems in accessing the embedded web interface. Please note that proper browser configuration is responsibility of the user – this section aims to give guidance to understanding the common access problems and browser errors.

Problem	Recommended resolution
<p>Browser error: "Connection refused" "No page to display" "Could not connect to server" "The page cannot be displayed" "Cannot find server"</p>	<p>Check the correctness of the specified URL. The URL should specify either the adapter IP address or the hostname:</p> <ul style="list-style-type: none"> • Plain HTTP access, example <i>http://192.168.10.10</i> or <i>http://SnmpAdapter</i> • HTTPS (SSL) access, example <i>https://192.168.10.10</i> or <i>https://SnmpAdapter</i> <p>Check that the web interface service has been enabled on the SNMP/Web adapter. If using HTTPS, verify it has been enabled on the adapter.</p>
<p>Browser error: "Unauthorized"</p>	<p>Verify username and password used.</p> <p>Check that the user has been correctly defined and configured by the administrator – that is, web interface access is allowed.</p>
<p>Security alert</p>	<p>When accessing the web interface using HTTPS, the browser verifies that:</p> <ul style="list-style-type: none"> • The issuing Certificate Authority (CA) is on its list of trusted CAs. • The server's certificate is valid • The adapter IP-Address/DNS-name matches the name on the certificate <p>If one of these checks fails the browser will issue a security alert. The Encryption section explains out to download the CA Root Certificate for installation in the browser trusted CA repository.</p>

9.5 TROUBLESHOOTING DATE&TIME (NTP)

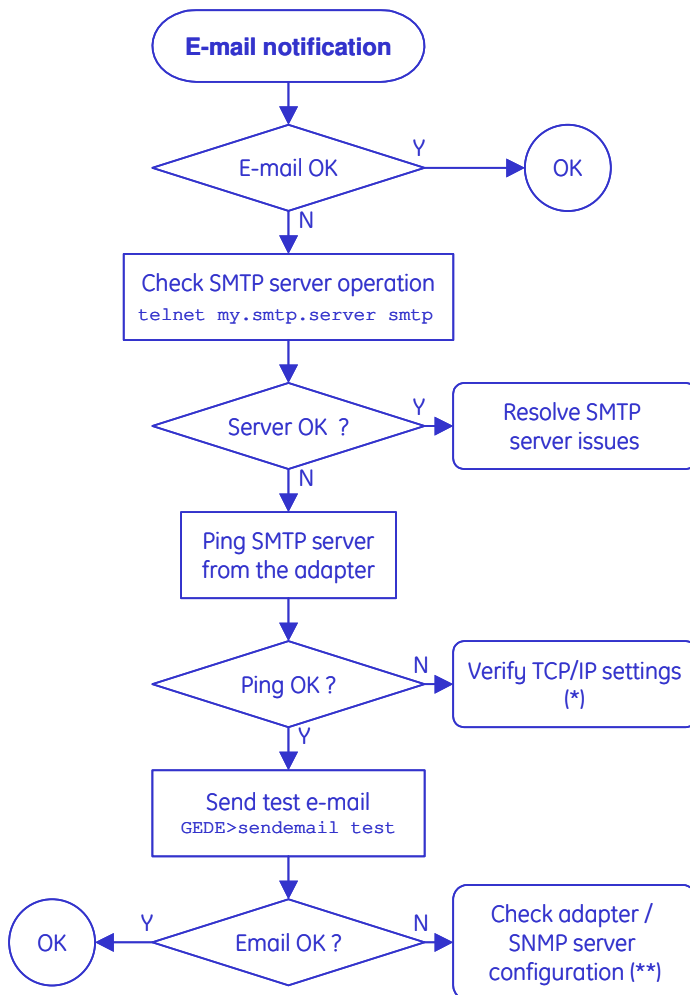
When NTP server connection is configured and enabled, the SNMP/Web adapter will periodically re-synch its internal date and time settings with the NTP server. Should you experience problems with this functionality, perform the following checks:

- Verify that the NTP server is correctly working in the specified node
- Force a date/time update either by running an *ntpdate* command through the command line interface or pressing the 'Update Now' button on the *Date&Time* web page. If unsuccessful, there is a communication problem between the adapter and the NTP server:
 - Verify that the NTP server can be reached from the adapter. This can be easily verified by running a *ping* command through the command-line interface
 - If a symbolic name is used in place of an IP address for the NTP server, verify that the name is resolved in the correct IP address through DNS connection. This can be easily verified by running a *nslookup* command, either through the command-line interface or the web interface.
- If the update is successful, but the actual time does not correspond to the expected value, verify that time-zone setting. Note that the time-zone setting also controls the daylight saving setting.

9.6 TROUBLESHOOTING E-MAIL NOTIFICATION (SMTP)

When e-mail notification via SMTP is configured and enabled, the SNMP/Web adapter will notify the selected recipients upon UPS alarm activation / deactivation. If problems are experienced with this functionality, follow the flowchart below to identify the root-cause of the problem and implement proper corrective actions.

Please note that proper configuration of the SNMP/Web adapter and the SMTP server set-up and configuration are responsibility of the user. This section aims to give basic troubleshooting guidance. For details on SMTP protocol refer to RFC 821, RFC 1123 and RFC 2821.



(*)If the adapter and the SMTP server belong to different subnets check the gateway settings.

(**) Particularly:

- If the SMTP server supports logging, enable the log functionality. Server error messages may give useful hints on the nature of the problem
- Check the SNMP/Web adapter *hostname* (must be a valid domain name), SMTP sender-name and e-mail recipient (both must be valid e-mail addresses)
- If the SMTP server requires authentication, verify the account settings on the SNMP/Web adapter.

With reference to Authentication, the embedded e-mail client only supports the LOGIN mechanism, where both username and password are sent to the server in plain text (base64 encoded). Make sure the e-mail server supports this mechanism.

10 CUSTOMER SUPPORT

10.1 FIRST LINE SUPPORT

Please contact your local GE distributor for problems with the installation of the product or its use.

10.2 INTERNET

On-line support available on request (Internet access required).

10.3 WWW SERVER

We have a WWW server running at

www.gedigitalenergy.com

With your favourite web browser you can access the latest information from GE, and download updates and manuals for this product.