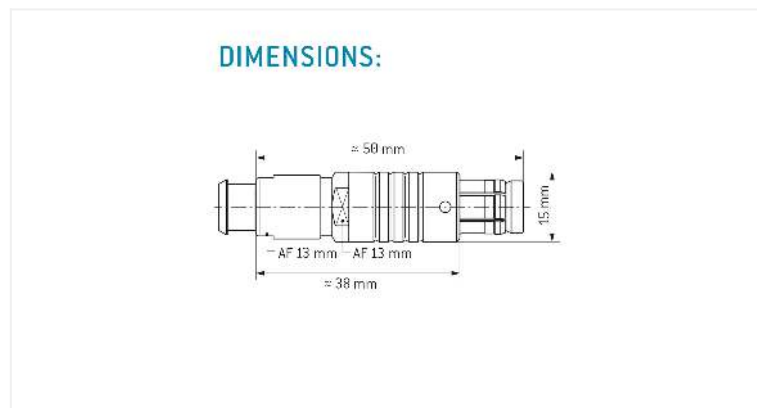


General information

Part number	S22F1C-P09MM00-800S
Termination	solder
Size	2
Locking principle	push
Coding	1_halfshell
Cable Diameter	cable_mini_80
Cable outlet	bend_relief



Contact insert description

Number of contacts	9
Contact type	pins
Contact diameter	8_09_1_13mm
Insulator material	peek
Wire cross section	22_awg_20_awg
Termination	solder
Termination diameter	085mm11mm

reverse_gender_on_request

Technical information

Max. creepage and air clearance distance	08_18_mm	08_38_mm
Nominal current single contact	075_12_a	iec_60512_5_2
Test voltage	135_21_kv_ac	sae_13441

safety_text

Mechanical and environmental data

Degree of protection*	ip50
-----------------------	------

Operating temperature	40_120_c
-----------------------	----------

Mating cycles	5000
---------------	------

mated_unmated

Material and surface treatments

Housing	m_chrome
---------	----------

Contact	cu_alloy_gold
---------	---------------

safety_text_2

ul_text

illustrative_text