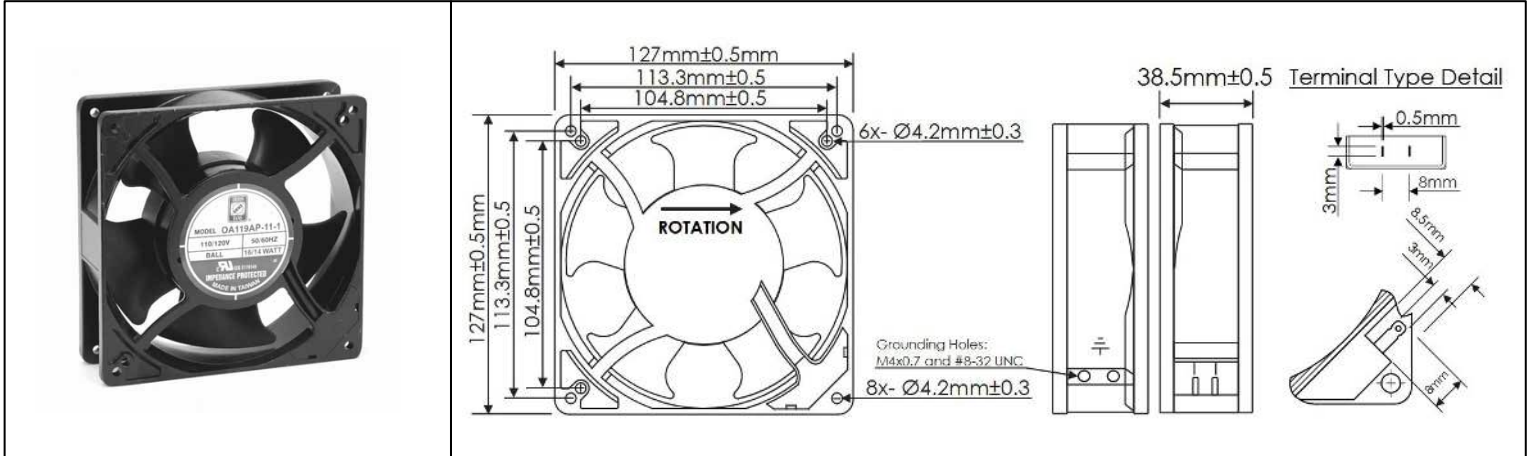


# OA119AP Series



AC Fans - 115, 230V  
127mm x 38.5mm (5.00" x 1.52")



<b>Frame</b>	Die Cast Aluminum, Black Finish	<b>Operating Temperature</b> -20°C ~ +75°C (Ball Bearing) -10°C ~ +50°C (Sleeve Bearing)	
<b>Impeller</b>	PBT, UL94 V-0 Plastic		
<b>Power Connection</b>	2x Lead Wires, 22 AWG 300mm, or Terminals	<b>Storage Temperature</b> -40°C ~ +85°C	
<b>Motor</b>	AC Shaded Pole, Impedance Protected	<b>Life Expectancy</b> Ball Bearing: 85,000 Hours (L10 at 45°C) Sleeve Bearing: 30,000 Hours (L10 at 45°C)	
<b>Bearing System</b>	Dual Ball, or Sleeve	<b>Available Options</b> IP / Salt Fog Ratings Tachometer Output	
<b>Dielectric Strength</b>	1500VAC/min, <1mA	Weight: 1.3 lbs.	
<b>Insulation Resistance</b>	≥10MΩ @ 500V DC		

Part Number	Rated Voltage (Volts AC)	Voltage Range (Volts AC)	Frequency (Hertz)	Input Power (Watts)	Rated Speed (RPM)	Max Airflow (CFM)	Noise Level (dBA)	Max Static Pressure (\"H <sub>2</sub> O)
OA119AP-11-1*	115	100 ~ 125	50 / 60	14	2725	130	46.1	0.24
OA119AP-11-2*	115	100 ~ 125	50 / 60	10	2300	95	37.4	0.15
OA119AP-11-3*	115	100 ~ 125	50 / 60	7	1400	74	28.2	0.10
OA119AP-22-1*	230	200 ~ 250	50 / 60	14	2725	130	46.1	0.24
OA119AP-22-2*	230	200 ~ 250	50 / 60	10	2300	95	37.4	0.15
OA119AP-22-3*	230	200 ~ 250	50 / 60	7	1400	74	28.2	0.10

\* Indicate "TB" (Terminal Ball Bearing), "WB" (Wire Leads, Ball Bearing), "TS" (Terminal, Sleeve Bearing), "WS" (Wire Leads, Sleeve Bearing).  
\* Table and PQ graph shows 60Hz values.