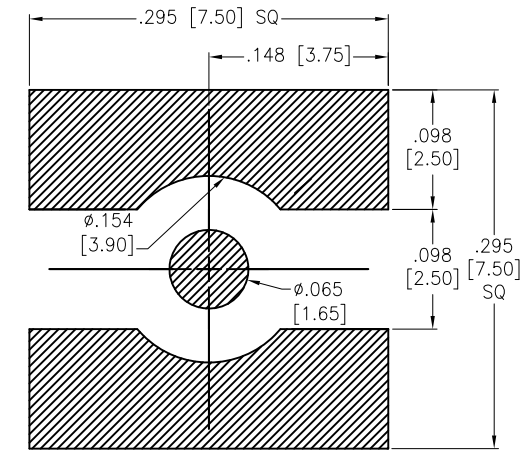
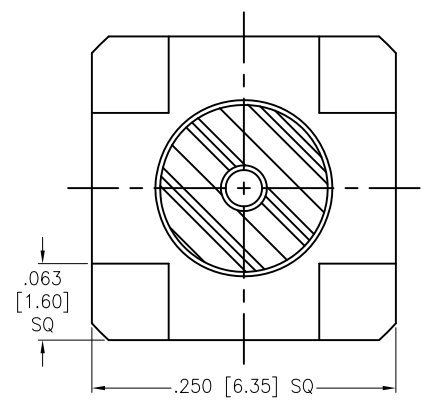
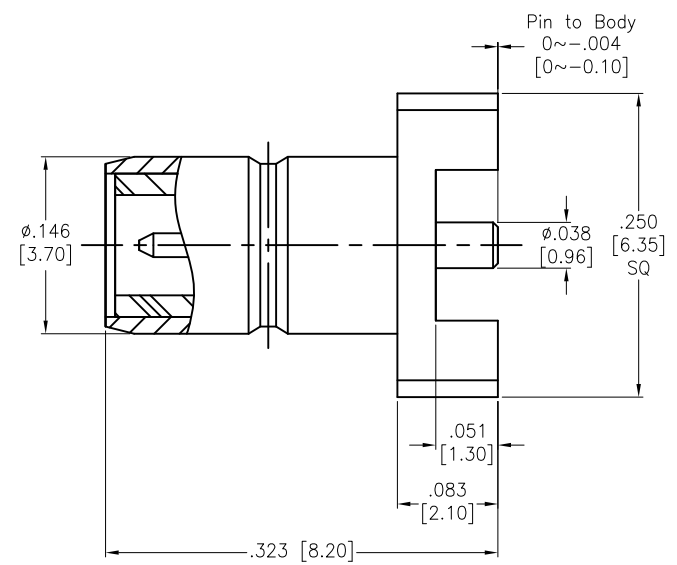


Rev	AWO #	Description	Date	Appr
-		RELEASED	8/24/07	
A		UPDATE DRAWING	7/13/17	AY/TY

APPROVED: \_\_\_\_\_  
 DATE: \_\_\_\_\_ TITLE: \_\_\_\_\_



RECOMMENDED P.C.B LAYOUT

CENTER PIN	BRASS	GOLD
INSULATOR	TEFLON	
BODY	BRASS	GOLD
DESCRIPTION	MATERIAL	FINISH

**SPECIFICATIONS:**  
 Electrical:  
 Nominal Impedance: 50 ohms  
 Environmental:  
 Lead free, RoHS compliant.



UNLESS OTHERWISE SPECIFIED  
 ALL DIMENSIONS ARE INCHES [MM]  
 TOLERANCES: EXCEPT AS NOTED

INCHES		HOLES	
.X	± .10	Ø.X	± .10
.XX	± .020	Ø.XX	± .015
.XXX	± .015	Ø.XXX	± .010

APPROVALS		DATE
DRAWN	SLS	8/24/07
CHECKED		
APPROVED		

**ADAM TECH**  
 909 Rahway Avenue, Union, NJ 07083  
 Phone: 908-687-5000 Fax: 908-687-5710

TITLE: RF CONNECTOR, TYPE SMB FEMALE, PCB, 50 OHM,

SIZE X	PART NO. RF3-15-T-00-50-G	REV. A
REF: S00291T	SCALE: NTS	SHEET 1 OF 1