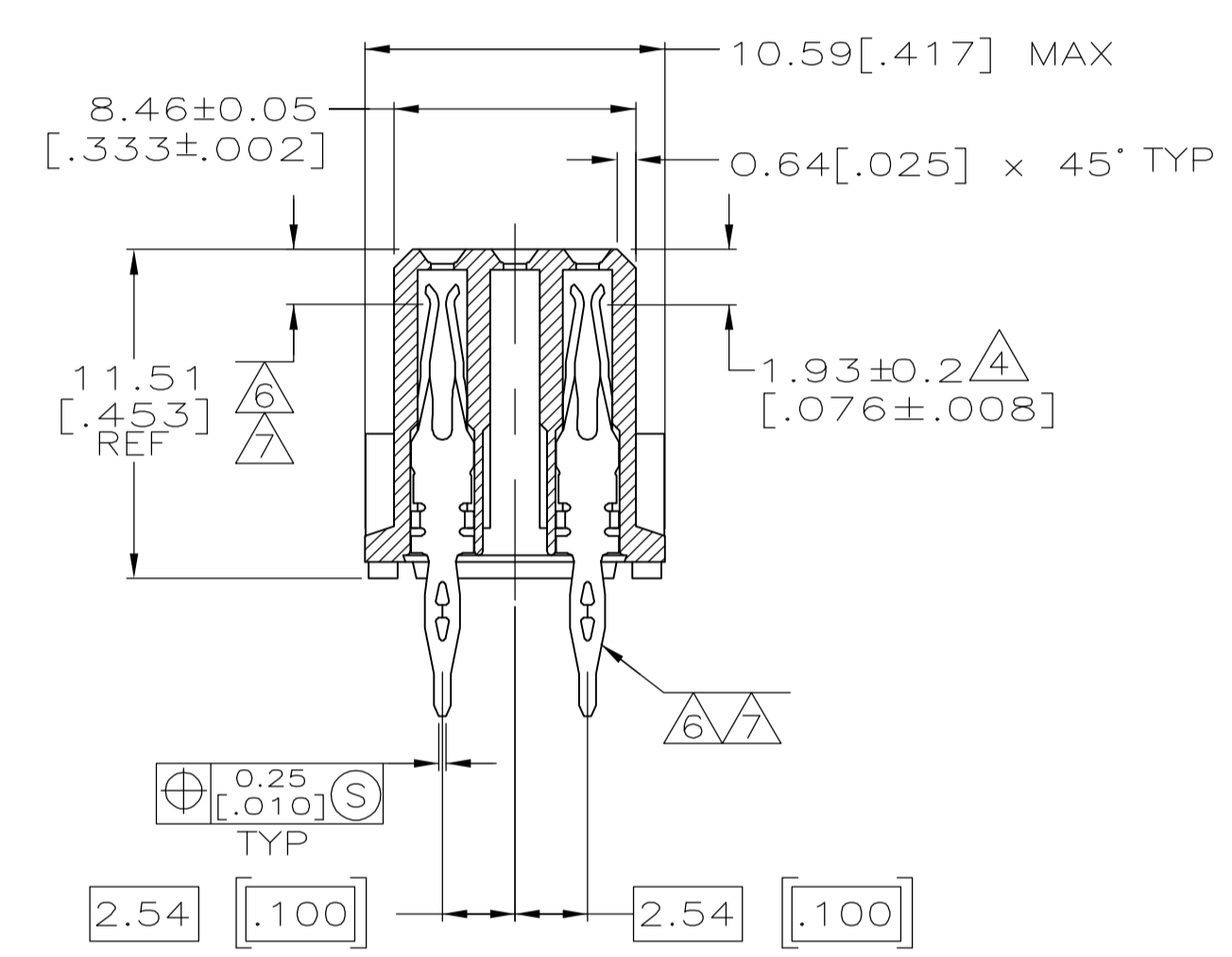


PC BOARD LAYOUT

- 1 HOUSING MATERIAL: GLASS-FILLED POLYESTER. COLOR: GRAY.
- 2 CONTACT MATERIAL: PHOSPHOR BRONZE.
- 3 PART NUMBER, DATE CODE IDENTIFICATION, CSA LOGO IN THIS APPROXIMATE AREA.
- 4 POINT OF MEASUREMENT FOR GOLD.
- 5 ACTION PIN POSTS REQUIRE 1.57 [.062] MIN THICK PC BOARD. RECOMMENDED PC BOARD HOLES ARE Ø1.151 ± 0.02 [.0453 ± 0.001] DRILLED HOLE WITH 0.02-0.07 [.001-.003] COPPER AND 0.008 [.0003] MIN TIN-LEAD PLATING. FINISHED HOLE AFTER PLATING, Ø0.94-1.09 [.037-.043].
- 6 CONTACT FINISH: DIN 41612 CLASS 3 ON CONTACT AREA. TIN-LEAD ON POSTS.
- 7 CONTACT FINISH: DIN 41612 CLASS 2 ON CONTACT AREA. TIN-LEAD ON POSTS.



SECTION X-X

OBSELETE	1 THRU 32	X - X	64	535059-9
	1 THRU 32	X - X	64	535059-5
	1 THRU 32	X - X	64	535059-4
NOTES	POSITIONS LOADED	C B A	NO. OF LOADED POSITION	ASSY PART NUMBER

THIS DRAWING IS A CONTROLLED DOCUMENT.		DWN L. BRINER 3/29/99	Tyco Electronics Corporation Harrisburg, PA 17105-3608	
DIMENSIONS: mm [INCHES]		CHK R. PATTERSON 1/18/96	NAME R. PATTERSON 1/18/96	
TOLERANCES UNLESS OTHERWISE SPECIFIED:		PRODUCT SPEC		
0 PLC	± -	APPLICATION SPEC		
1 PLC	± -	SIZE		
2 PLC	± -	CAGE CODE		
3 PLC	± 0.13 [.005]	DRAWING NO		
4 PLC	± -	WEIGHT		
ANGLES	± -	A1 00779 C=535059		
FINISH		CUSTOMER DRAWING		
SCALE 4:1		SHEET 1 OF 1		REV M