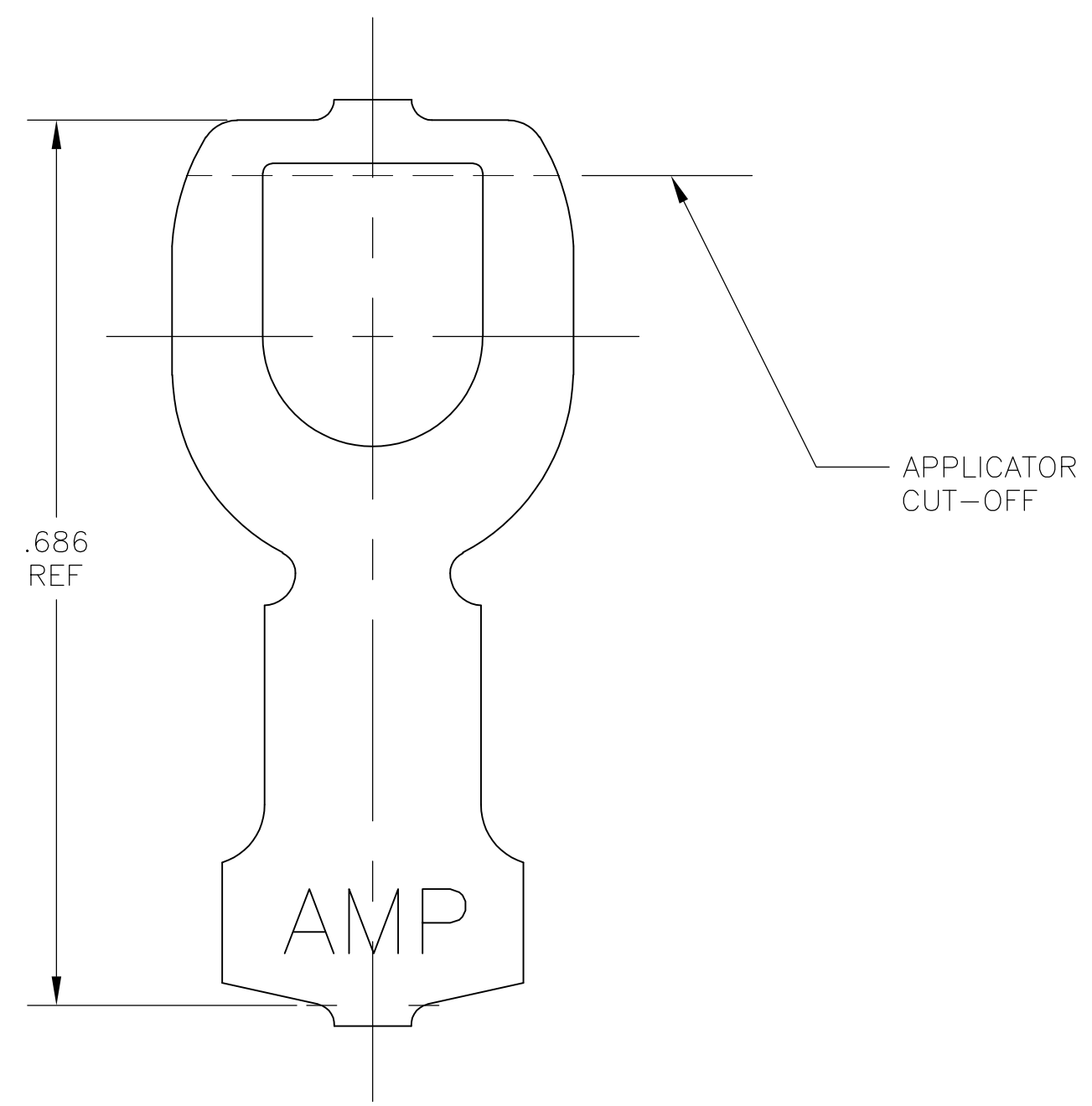
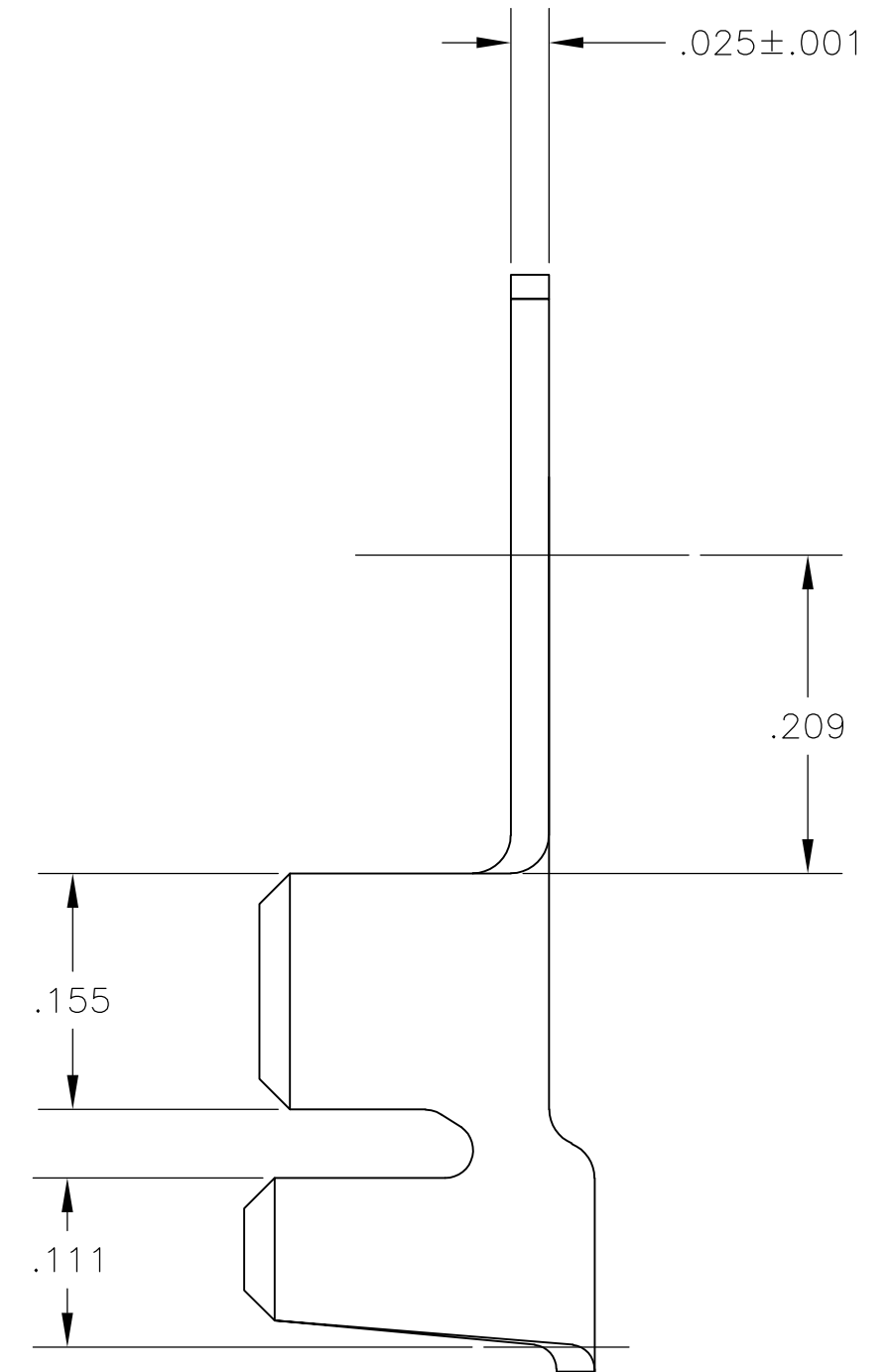
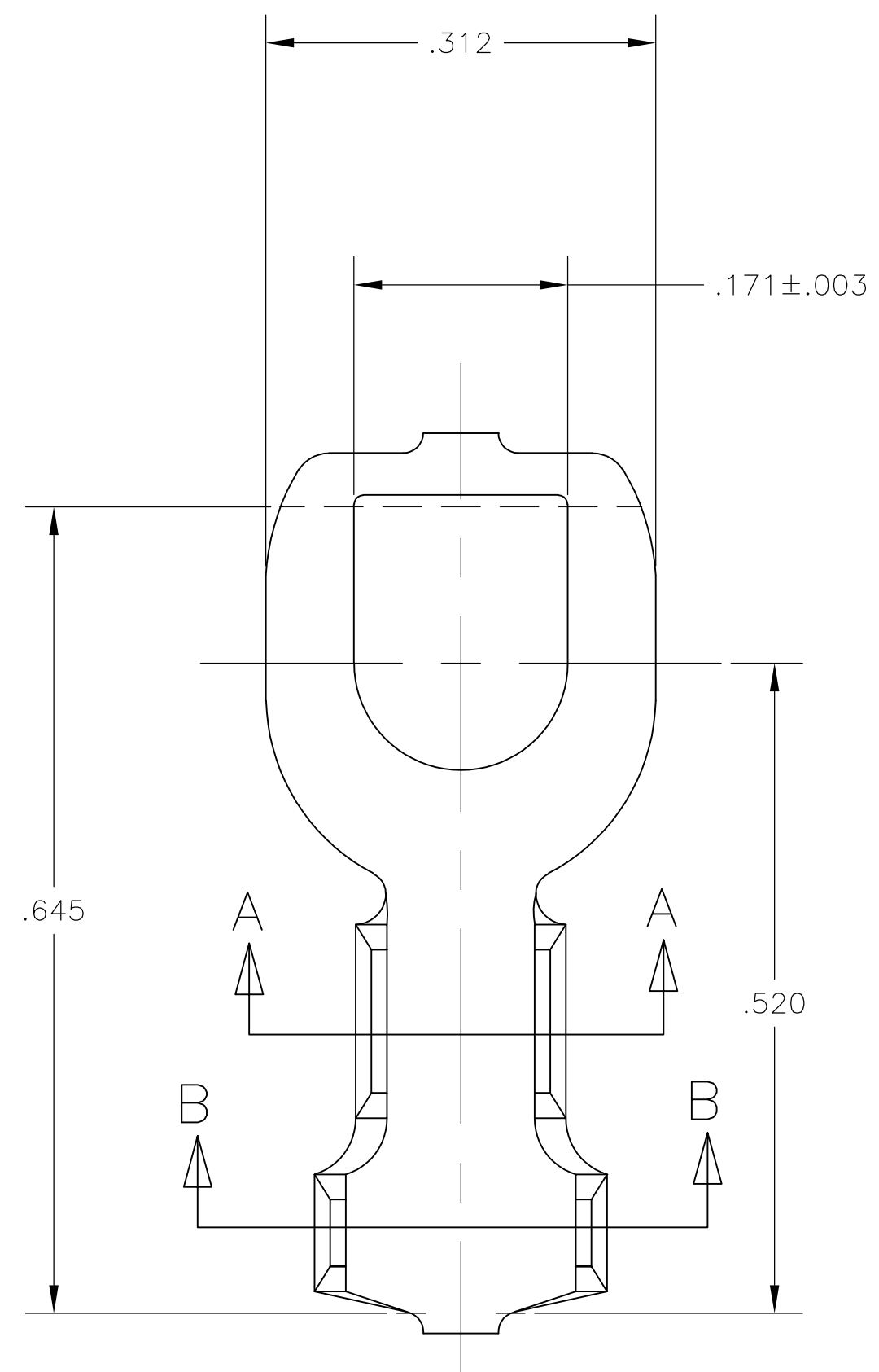
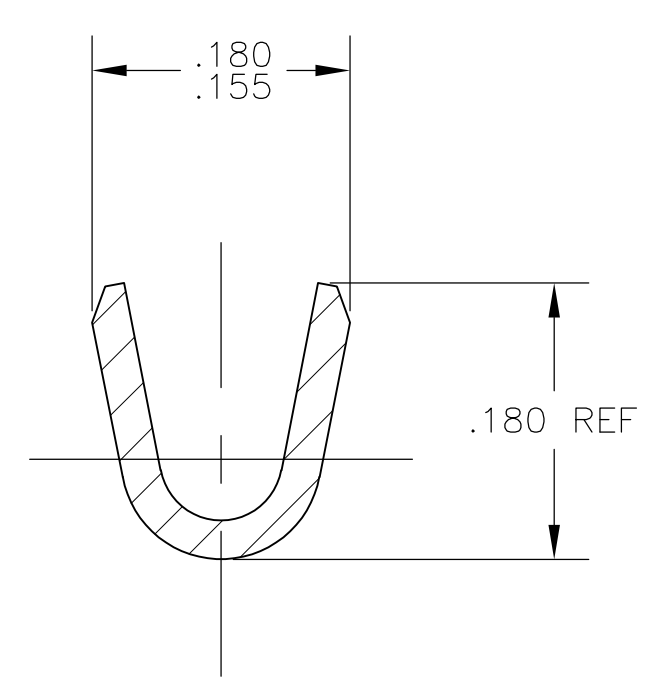


THIS DRAWING IS UNPUBLISHED. RELEASED FOR PUBLICATION
 © COPYRIGHT BY TYCO ELECTRONICS CORPORATION. ALL RIGHTS RESERVED.

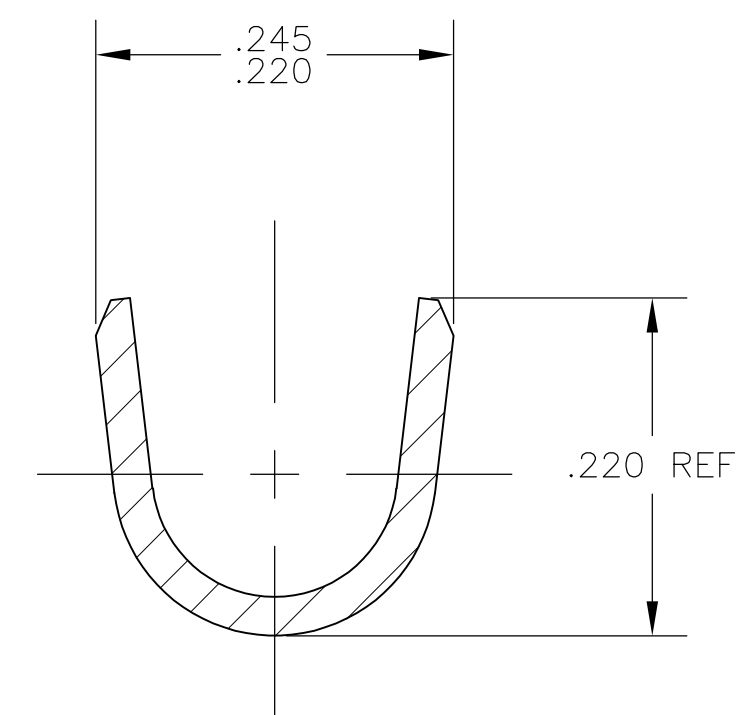
LOC	DIST	REVISIONS			
P	LTR	DESCRIPTION	DATE	DWN	APVD
AF	50	F	REVISED PER ECR-10-006099	07JUL10	HMR PD



1. CONTINUOUS STRIP ON REELS.
2. WIRE SIZE: #18-#14 AWG.
3. INSULATION RANGE: .130-.180 DIA



SECTION A-A



SECTION B-B

	TIN	60251-2
OBSOLETE		60251-1
	FINISH	PART NUMBER

THIS DRAWING IS A CONTROLLED DOCUMENT.		DWN MICHAEL S. FEHER 27JAN2005	Tyco Electronics Corporation Harrisburg, Pa 17105-3608	
DIMENSIONS: INCHES		CHK DONALD F. DECKER 08MAR2005	NAME TERMINAL, SPADE STUD SIZE NUMBER 8	
TOLERANCES UNLESS OTHERWISE SPECIFIED:		APVD DONALD F. DECKER 08MAR2005	RESTRICTED TO	
0 PLC ± -		PRODUCT SPEC	SIZE A2	
1 PLC ± -		APPLICATION SPEC	CAGE CODE 00779	
2 PLC ± -		WEIGHT	DRAWING NO C=60251	
3 PLC ± .015		FINISH	SCALE 8:1	
4 PLC ± -		MATERIAL 082 BRASS	SHEET 1 OF 1	
ANGLES ± 1°		SEE TABLE	REV F	
CUSTOMER DRAWING		SCALE 8:1 SHEET 1 OF 1 REV F		