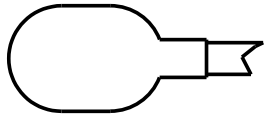
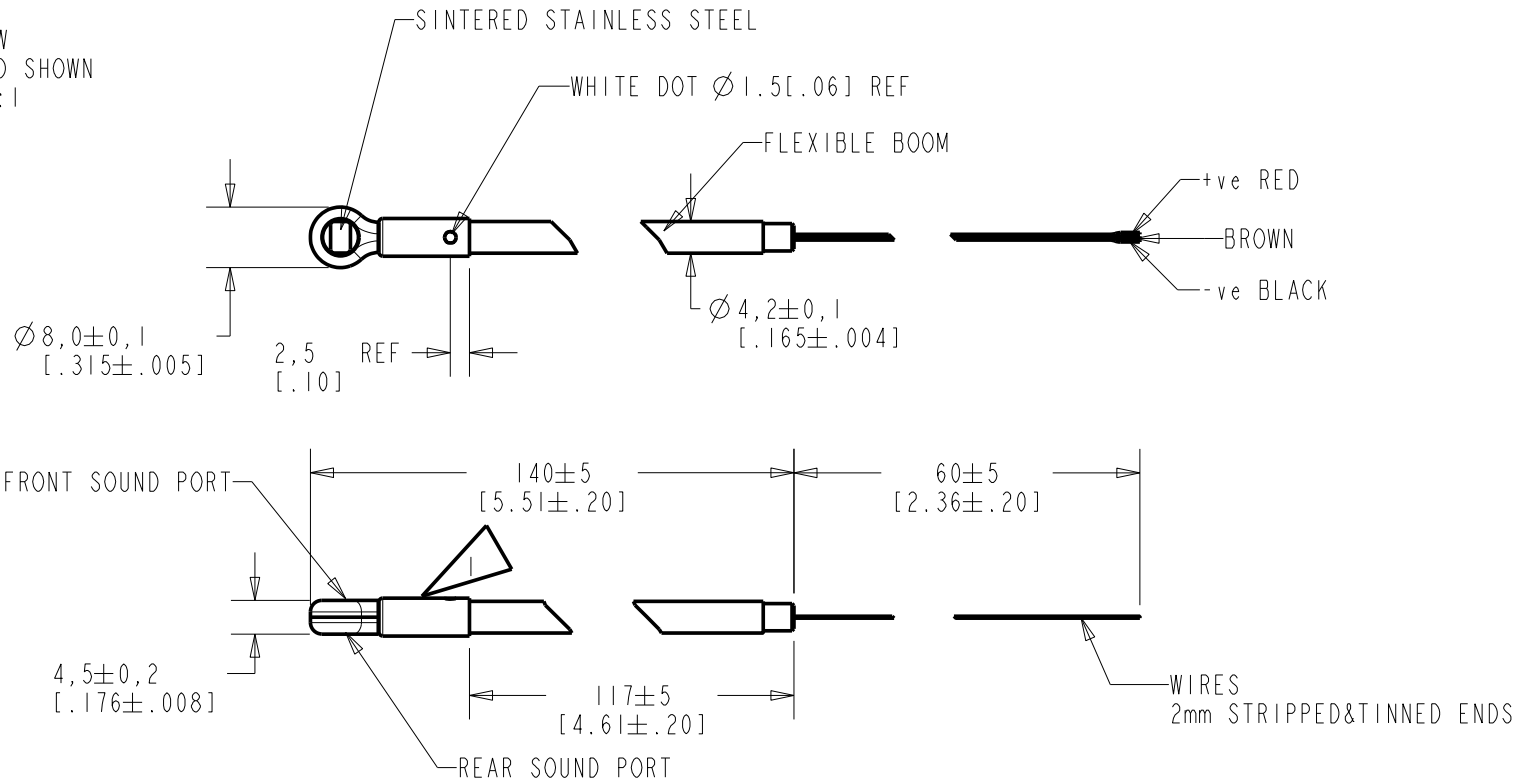


FB-DW-30296-000
SHT 1.1

THE FRONT SOUND PORT IS ADJACENT TO THE MODEL NUMBER IDENTIFICATION.



TOP VIEW
W/WINDSHIELD SHOWN
SCALE 1:1



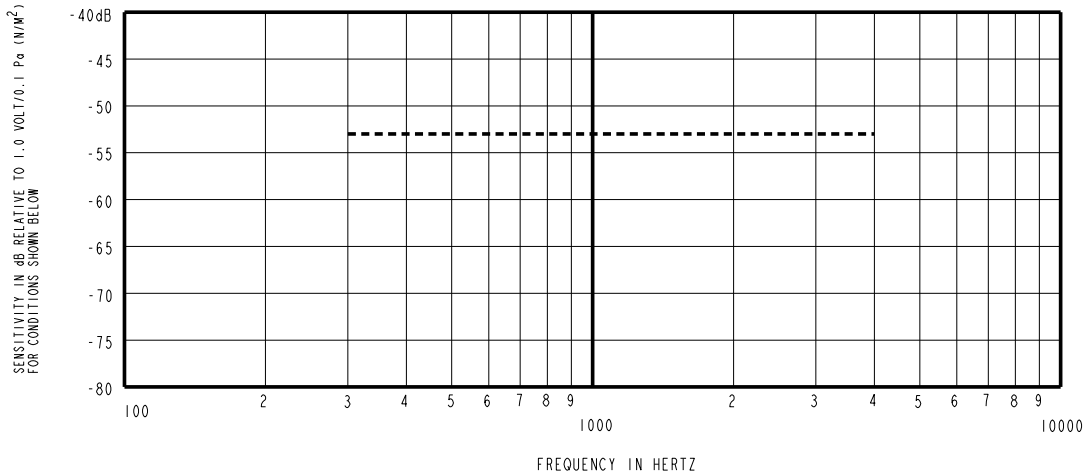
WIRE COLOR			WEIGHT GRAMS
+ve	OUTPUT	-ve	
RED	BROWN	BLACK	13.1

DIMENSIONS IN MILLIMETERS [INCHES]

Revision	C.O. #	Implementation Date	RELEASE LEVEL	REVISION
B	C10107745	8-4-08	Active	B
A	C10107109	3-17-08		

SCALE:	1:1	DR. BY	DATE
DO NOT SCALE DRAWING		TT	3-4-08
TITLE: BOOM MICROPHONE FB-DW-30296-000		CK. BY	DATE
OUTLINE DRAWING		GJP	3-27-08
SHT 1.1		APP. BY	DATE
		GJP	3-27-08

KNOWLES ELECTRONICS
ITASCA, ILLINOIS U.S.A.



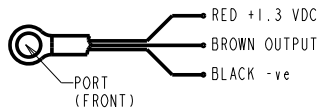
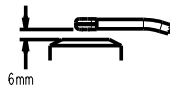
NOTES:

1. MICROPHONE TO BE FUNCTIONAL WITH 10 VDC SUPPLY.
2. SENSITIVITY VALUES INDICATED ON THIS SPECIFICATION ARE VALID AT 50% HUMIDITY.

3. SENSITIVITY				DEVICE CONFORMITY RANGE OF DEVIATION FROM 1KHz	
FREQUENCY	MIN	NOM	MAX		
300	---	-53.0	---	-4.0	+4.0
1000	-56.0	-53.0	-50.0	-0.0	+0.0
4000	---	-53.0	---	-4.0	+4.0

4. TEST CONDITIONS:
HEAD OF BOOM EXPOSED TO 74 dB SPL SWEPT SOUND FIELD AT 6mm FROM VOICE APERTURE.
ARTIFICIAL VOICE: B & K 4227 MOUTH SIMULATOR.

5. FOR MICROPHONE CAPSULE SPEC. SEE WP-25993-000 SHEET 2.1



LEAD IDENTIFICATION

KNOWLES ELECTRONICS
ITASCA, ILLINOIS U.S.A.

Revision	C.O. #	Implementation Date	RELEASE LEVEL	REVISION
B	C10107745	8-4-08	Active	B
A	C10107109	3-17-08		

WHEN TEST LIMITS ARE USED TO ESTABLISH INCOMING INSPECTION ACCEPTANCE/REJECTION CRITERIA, CORRELATION OF TEST EQUIPMENT WITH KNOWLES IS ALSO REQUIRED FOR ELIMINATION OF EQUIPMENT AND TEST METHOD VARIATION		DR. BY	DATE
		TT	3-4-08
TITLE: BOOM MICROPHONE		CK. BY	DATE
PERFORMANCE SPECIFICATION		GJP	3-27-08
FB-DW-30296-000		APP. BY	DATE
SHT 2.1		GJP	3-27-08