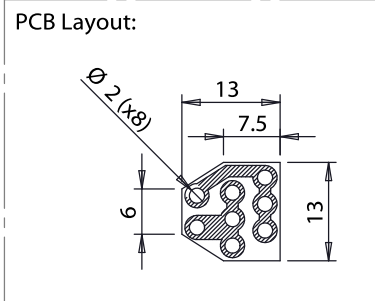
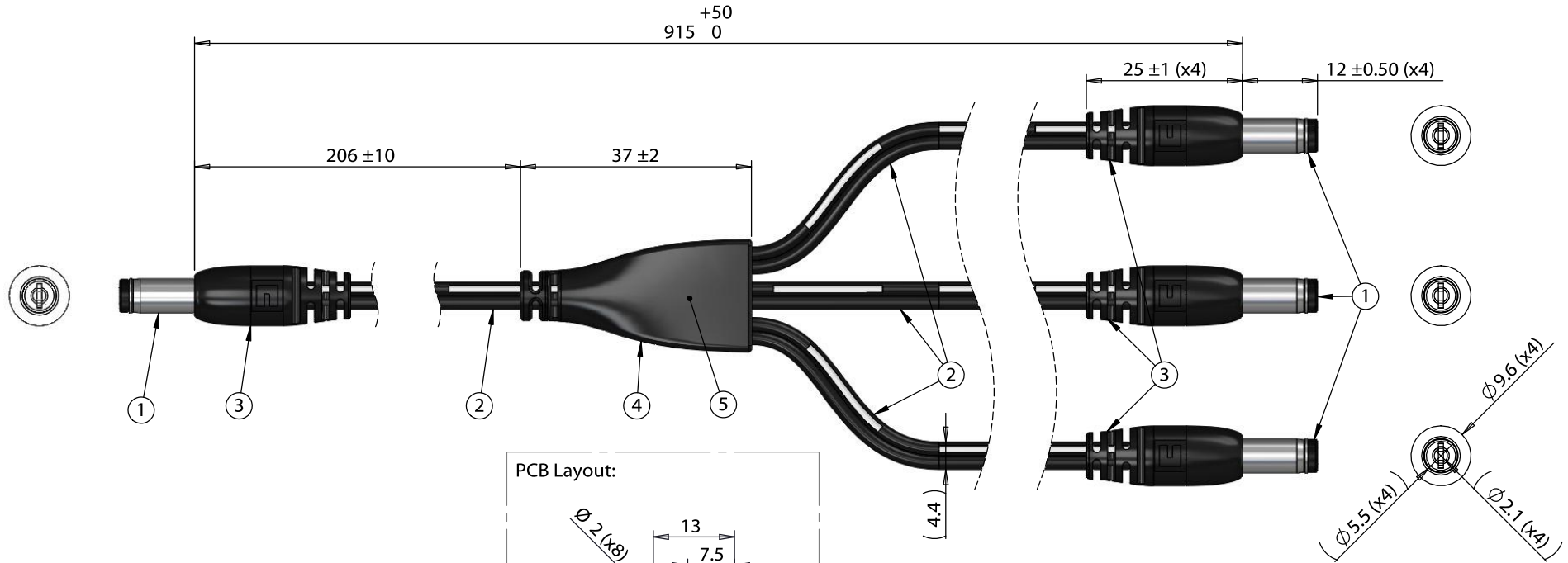


ITEM NO.	PART NUMBER	DESCRIPTION	QTY.	COMPONENT NOTES
1	50-00024	Connector, dc plug, 5.5x2.1xL23 mm, molding style, spring contacts	4	
2	30-00007	Wire, 2C BC, 18 AWG, UL2468, 300V, 80C, 4.4 mm, VW-1, PVC, 87A	4	
3	24-00003	Overmold, PVC	4	black
4	24-00186	Overmold, splitter, Ø 8.0 mm by 10.0x18.0 mm	1	black
5	PCB	Splitter PCB, FR4, two-layer, tin, 13.0x13.0x1.6 mm	1	



Wiring Diagram		
50-00024	wire color	50-00024
center	black with stripe	center
sleeve	black	sleeve

**Notes:**  
Functionally equivalent components may be substituted

Revision:	Date:	Description:	Prepared:	Notes:	<b>TENSILITY</b>
A	4/13/2018	Initial release	JP <small>Digitally signed by JP Date: 2018.04.13 16:06:33 -07'00'</small>	RoHS compliant	
			Verified:	Function test: no open, no short circuit, no intermittent	tel 1.541.323.3228 800 877.670.7118 fax 1.541.323.4202 web tensility.com
			Dimensions are in millimeters. Tolerances: X: ± 0.5 mm X.X: ± 0.3 mm X.XX: ± 0.05 mm	Description: Cable, 915 mm, 5.5x2.1x12 mm 50-00024 dc plug to y-split to 3x 5.5x2.1x12 mm dc plug, 18 AWG, UL2468	Size: A Part number: 10-02780
					Scale: 1:1
					Sheet 1 of 1

5

4

3

2

1