



ETA-USA

THE POWER PROFESSIONALS

WRT**FWX-O

30 Watt AC/DC Dual Output



Universal Input
 Compact design with Inrush current protection
 Dual Output
 -WRT20FWX-O: 5V, 5V - WRT23FWX-O: 15V, 15V
 -WRT21FWX-O: 5V, 24V - WRT24FWX-O: 5V, 12V
 -WRT22FWX-O: 12V, 12V



		UNIT	
INPUT	Voltage/Freq	V	AC100V - 240V (AC85V ~ 264V or DC125V~ 370V), 50 / 60Hz (47 ~ 440Hz) Universal Input voltage
	Current Typ.	A	0.65 at 110V; .035 at 220V (I _o =100%)
	Power Factor	-	--
	Inrush Current	A	20A typ (AC IN 110V, I _o =100%), 40A typ (AC IN 220V, I _o =100%) at cold start
	Leakage	mA	0.75

		UNIT	WRT24FWX-O		WRT21FWX-O		WRT20FWX-O		WRT22FWX-O		WRT23FWX-O		
OUTPUT	Nominal Voltage	VDC	+5	+12	+5	+24	+5	-5	+12	-12	+15	-15	
	Efficiency typ	%	71		74		74		77		78		
	Current	A	0.3~3	1.3	0.3~3	0.6	2	2	1.3	1.3	1	1	
	Line Regulation	mV (max)	25	120	25	240	25	25	60	60	75	75	
	Load Regulation	mV(max)	50	120	50	240	50	50	120	120	150	150	
	Ripple	mVp-p	80	120	80	120	80	80	120	120	120	120	
	Ripple Noise maximum	mVp-p	120	150	120	150	120	120	150	150	150	150	
	Temperature Drift [0~+50C]	mV	75	180	75	360	75	75	180	180	225	225	
	Rise Time	mS	800 max [AC IN 110V/220V I _o =100%]										
	Hold up Time	mS	16 typ [AC IN 110V/220V, I _o =100%]										
Grounding		Individual Ground						Common Ground					

Protection	Over Voltage	Works at 115~140% of rating	
	Over Current	Works at 105% over rated current and recovers automatically	
Isolation	Input-Output	AC 3,000V 1 minute current 20mA, DC 500V 100MΩ (At room temperature & Humidity)	
	Input-F.G	AC 2,000V 1 minute current 20mA, DC 500V 100MΩ (At room temperature & Humidity)	
	Output-F.G	AC 500V 1 minute current 100mA, DC 500V 100MΩ (At room temperature & Humidity)	
Environment	Operating temp/hum	-10 ~ +70°C, 20 ~ 90% RH(Non condensing)	
	Storage temp/hum	-20 ~ +75°C, 20 ~ 90% RH(Non condensing)	
	Vibration	10 ~ 55Hz at 1G, 3 minutes period, 30 minutes along X, Y and Z axis	
	Impact	10G for 20ms once on each X, Y and Z axis	
Safety	CE/ CB	IEC 60950-1	
	Line Con RF Voltage	EN55022-A	
Size	MM/G	82 x 120 x 31.5	290 grams



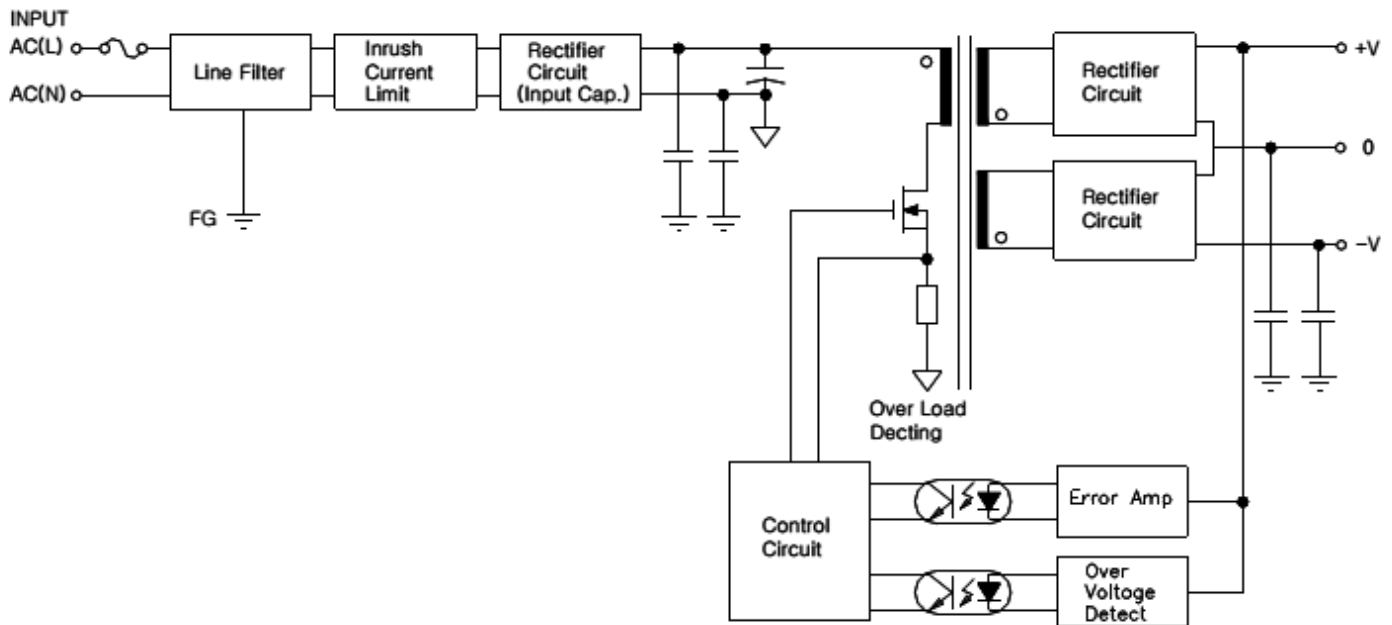
ETA-USA

16170 Vineyard Blvd, Suite 180 Morgan Hill, CA 95037 <http://www.eta-usa.com>
 Toll-free (US only): 800-ETA-POWR (800-382-7697) Telephone: 408 778-2793 FAX: 408-779-2753

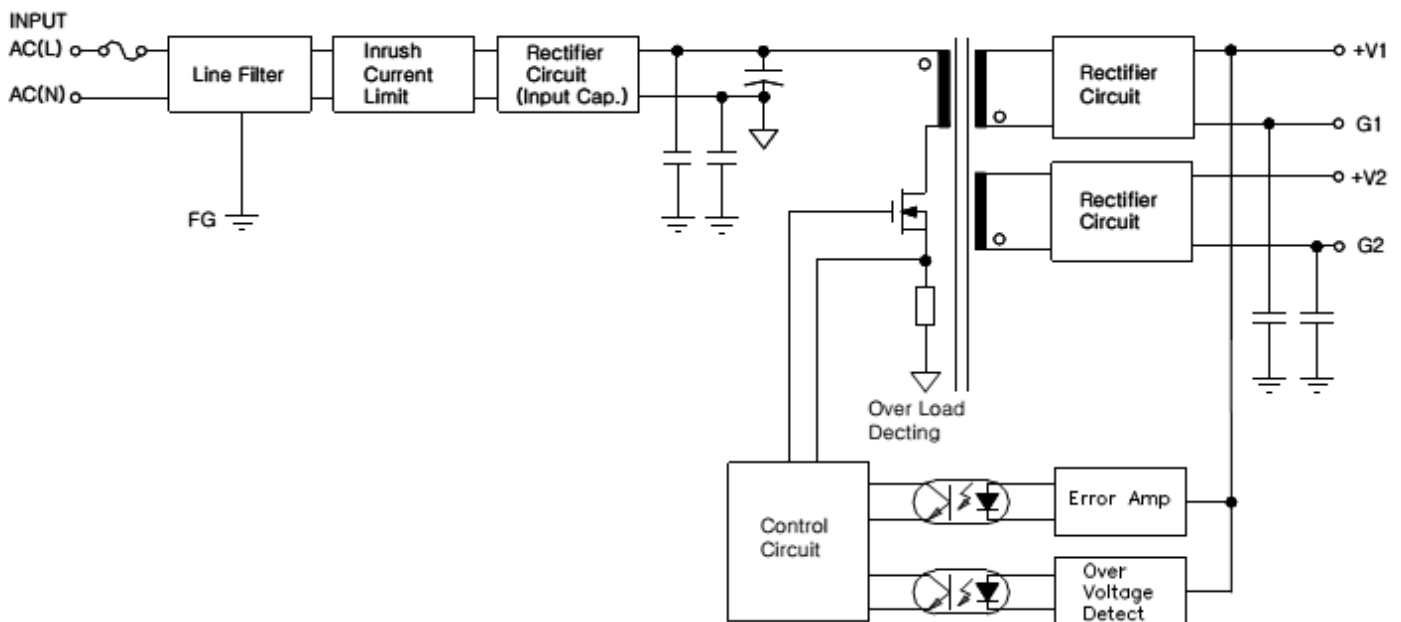


BLOCK DIAGRAM

WRT24FWX-O WRT22FWX-O WRT23FWX-O (common ground)



WRT20FWX-O WRT21FWX-O



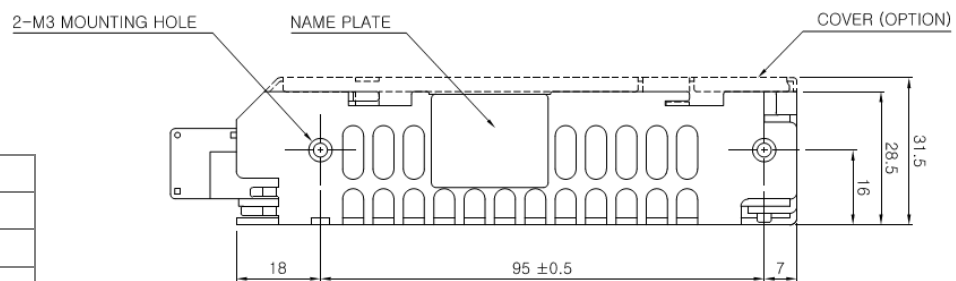
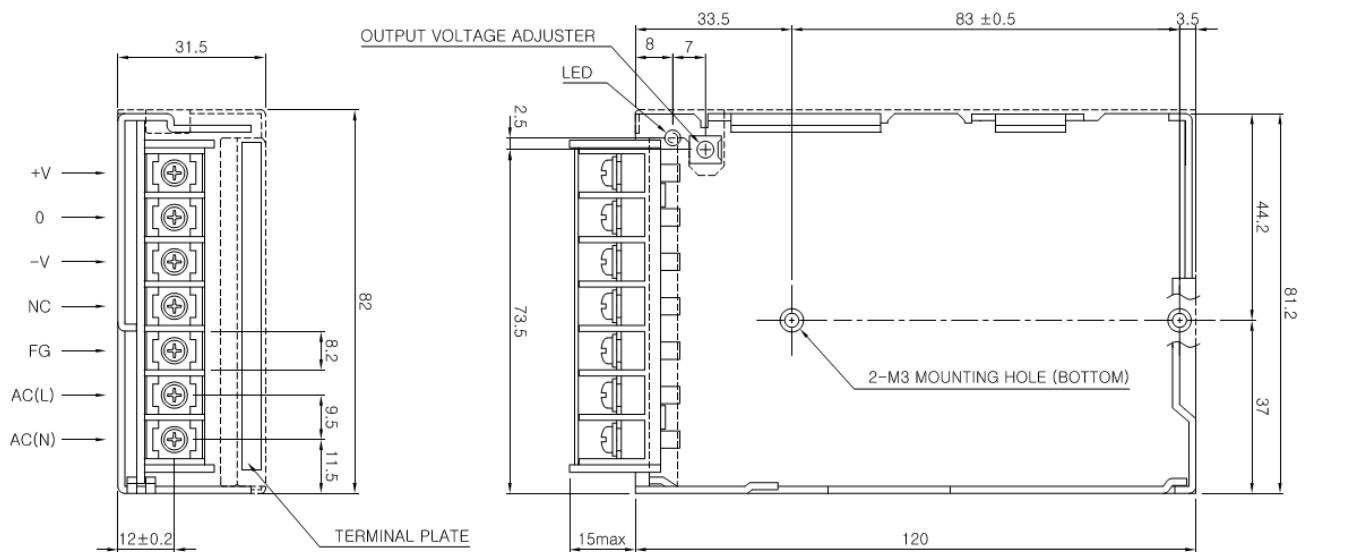


ETA-USA

THE POWER PROFESSIONALS

DIMENSIONAL DRAWING (mm)

WRT24FWX-O WRT22FWX-O WRT23FWX-O



Mark	Pin Connection
L	AC Line
N	AC Neutral
FG	Field Ground
+V	DC output
O	DC Ground
-V	DC Output



ETA-USA

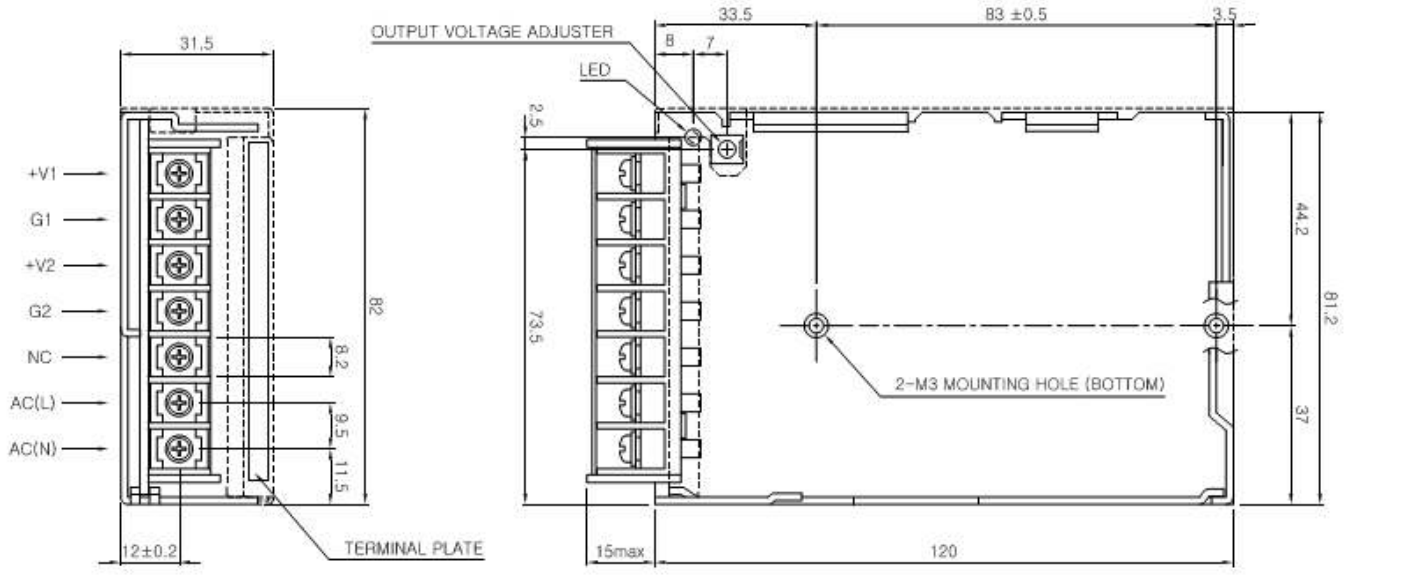
16170 Vineyard Blvd, Suite 180 Morgan Hill, CA 95037 <http://www.eta-usa.com>
 Toll-free (US only): 800-ETA-POWR (800-382-7697) Telephone: 408 778-2793 FAX: 408-779-2753



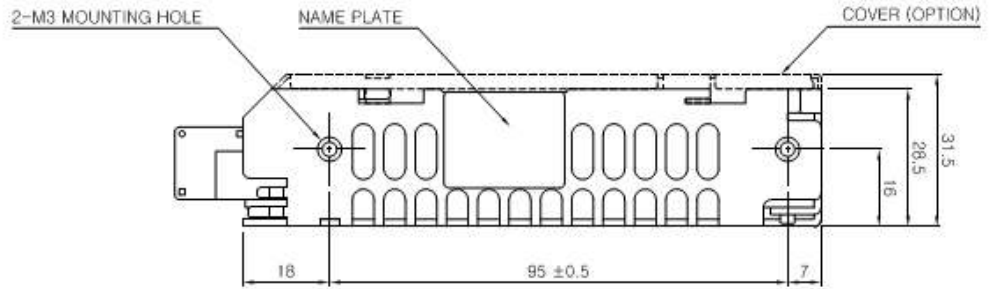
ETA-USA

THE POWER PROFESSIONALS

WRT20FWX-O WRT21FWX-O



Mark	Pin Connection
L	AC input line
N	AC input neutral
NC	AC Chassis Ground
+V1	DC V1 Output
G1	DC V1 Ground
+V2	DC V2 Output
G2	DC V2 Ground



ETA-USA

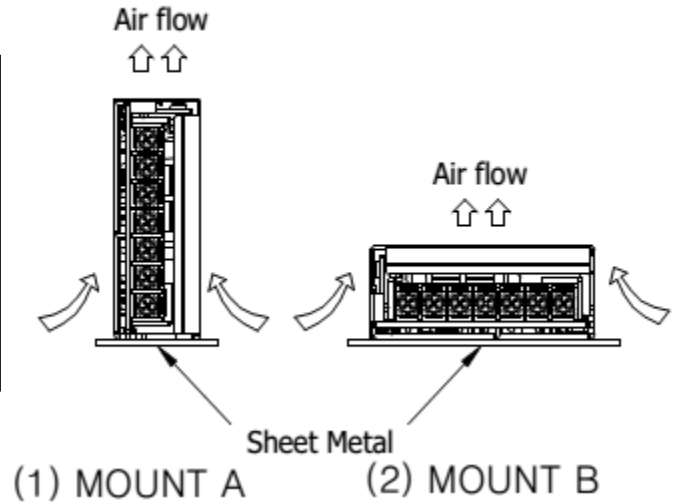
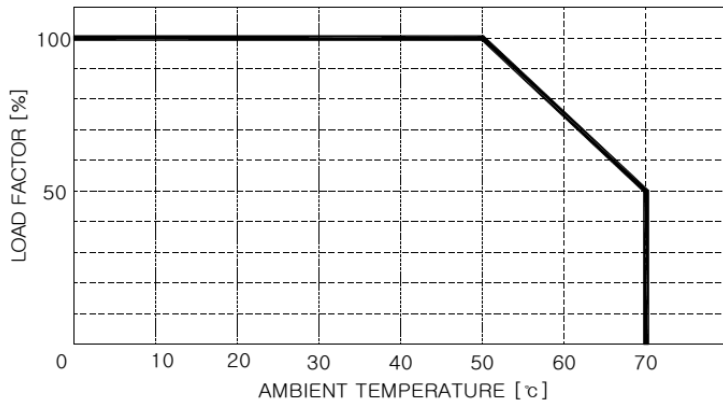
16170 Vineyard Blvd, Suite 180 Morgan Hill, CA 95037 <http://www.eta-usa.com>
Toll-free (US only): 800-ETA-POWR (800-382-7697) Telephone: 408 778-2793 FAX: 408-779-2753



ETA-USA

THE POWER PROFESSIONALS

DERATING CURVE AND RECCOMENDED MOUNTING DIAGRAM



ETA-USA

16170 Vineyard Blvd, Suite 180 Morgan Hill, CA 95037 <http://www.eta-usa.com>
Toll-free (US only): 800-ETA-POWR (800-382-7697) Telephone: 408 778-2793 FAX: 408-779-2753