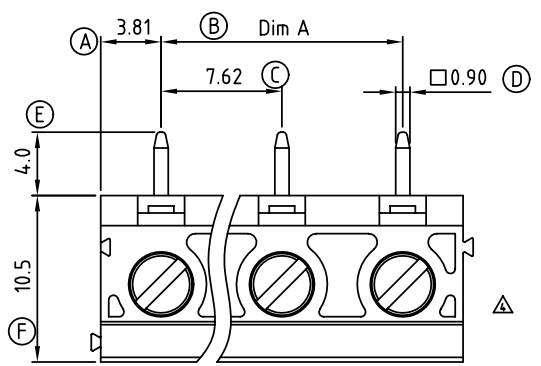


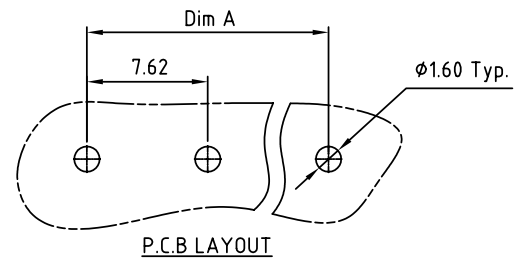
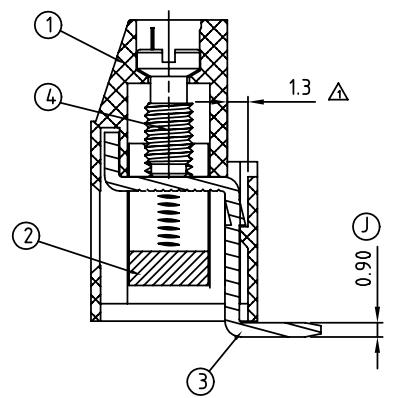
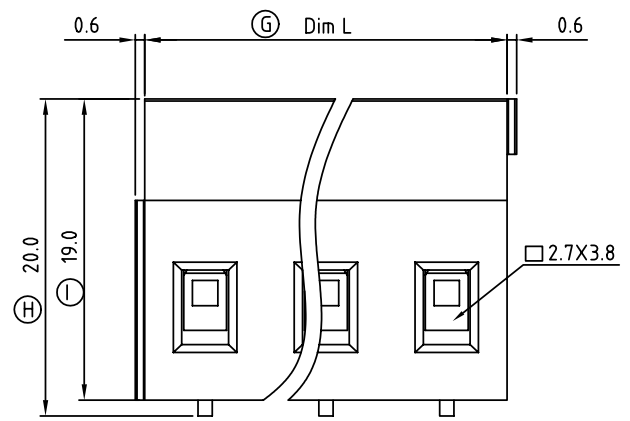
1 2 3 4 5 6 7



DIMENSION

Dim L	N×7.62	Poles	2p-6p	Tolerance	±0.15
Dim A	(N-1)×7.62		7p-12p		±0.25
			13p-16p		±0.35

N=Number of contacts



SIGN	DATE	DESCRIPTION	APPROVER
△	3/22'06	Hole size changed from 0.5mm to 1.3mm	Tony
△	01/12 07	Soldering temperature changed from 245° to 250°	Tason
△	01/12 07	Part NO is Changed	Tason
△	5/30 08	Body is Changed	Marvin
△	5/30 08	Operating temperature is Changed	Marvin
△	10/26'09	Wire guard solder pin is Changed from Brass to Copper	Aaron
△	11/09'10	Add is " VDE "	Aaron

THIS IS CAD DRAWING, DO NOT REVISE MANUALLY!!!

- Material:
- Item 1 Terminal housing:Thermoplastic (UL 94V-0)
 - Item 2 Clamp: Brass Ni plated
 - △ ● Item 3 Wire guard solder pin:Copper Tin plated
 - Item 4 Terminal screw: Steel Zinc plating"-slot type
- △ Electrical cULus VDE
- Voltage rating: 300VAC 750V
 - Current rating: 20A 24A
 - Wire range : 0.2-2.5mm²
 - Solid wire(AWG): 12-30
 - Stranded wire(AWG): 12-30
 - Torque(Lb-In): 3.5 0.5 N.m
 - Screw: M3
 - Wire strip length: 6-7mm
 - Withstanding Voltage: 1.6KV 3KV
 - △ ● Operating temperature: -40°C to +115°C
 - △ ● Soldering temperature: 250°C±10°C/5 Sec
 - Safety Approval:

△ VJ xx 61 x 0 xxxx G

RoHS Pb<40,000ppm

No. of poles end stackable design	0 Black (RAL9005)	000:"@Logo (Standard)
02 2 CONTACTS	2 Red (RAL3001/D)	000A:"ANYTEK"Logo
03 3 CONTACTS	3 Orange(RAL2011/P)	Any special item by customer request,
...	4 Yellow(RAL1018/A)	please contact sales department.
...	5 Green(RAL6018/T)	
16 16 CONTACTS	6 Blue (RAL5015/A)	
	8 Grey(RAL7035/D)	

ANYTEK

CUSTOMER COPY

ALL RIGHTS RESERVED. REPRODUCTION OR ISSUE TO THIRD PARTIES IN ANY FORM WHATSOEVER IS NOT PERMITTED WITHOUT WRITTEN AUTHORITY FROM THE PROPRIETOR. PROPERTY OF ANYTEK TECHNOLOGY CO., LTD

TITLE		VJ-7.62 Series 2P-16P Vertical (90D wire inlet)				
PART NO.		VJxx61x0xxxxG		DWG NO.		8VJ0302
APPROVED	CHECKED	DESIGNED	DRAWN	CUST NO.		
		Aaron 2010.11.09	Aaron 2008.10.26			
					UNIT: mm	Tolerance
					SCALE: NONE	X. ±0.50
				SHEET: 01/01	REV.: H	X.X ±0.30
						X.XX ±0.10
						X* ±1*

1 2 3 4 5 6 7