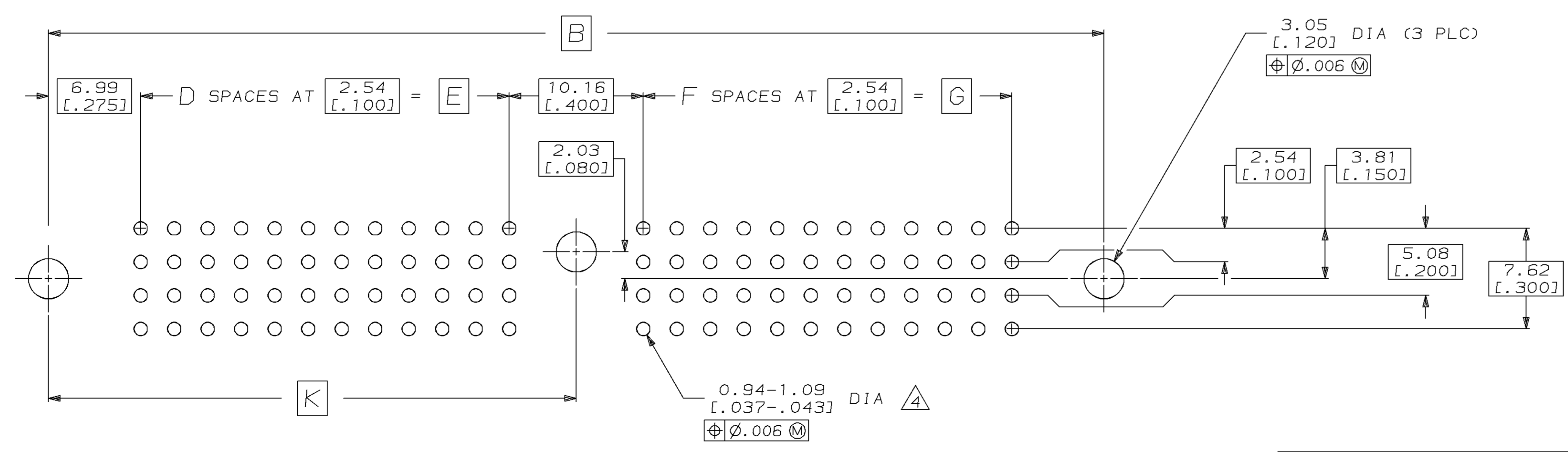
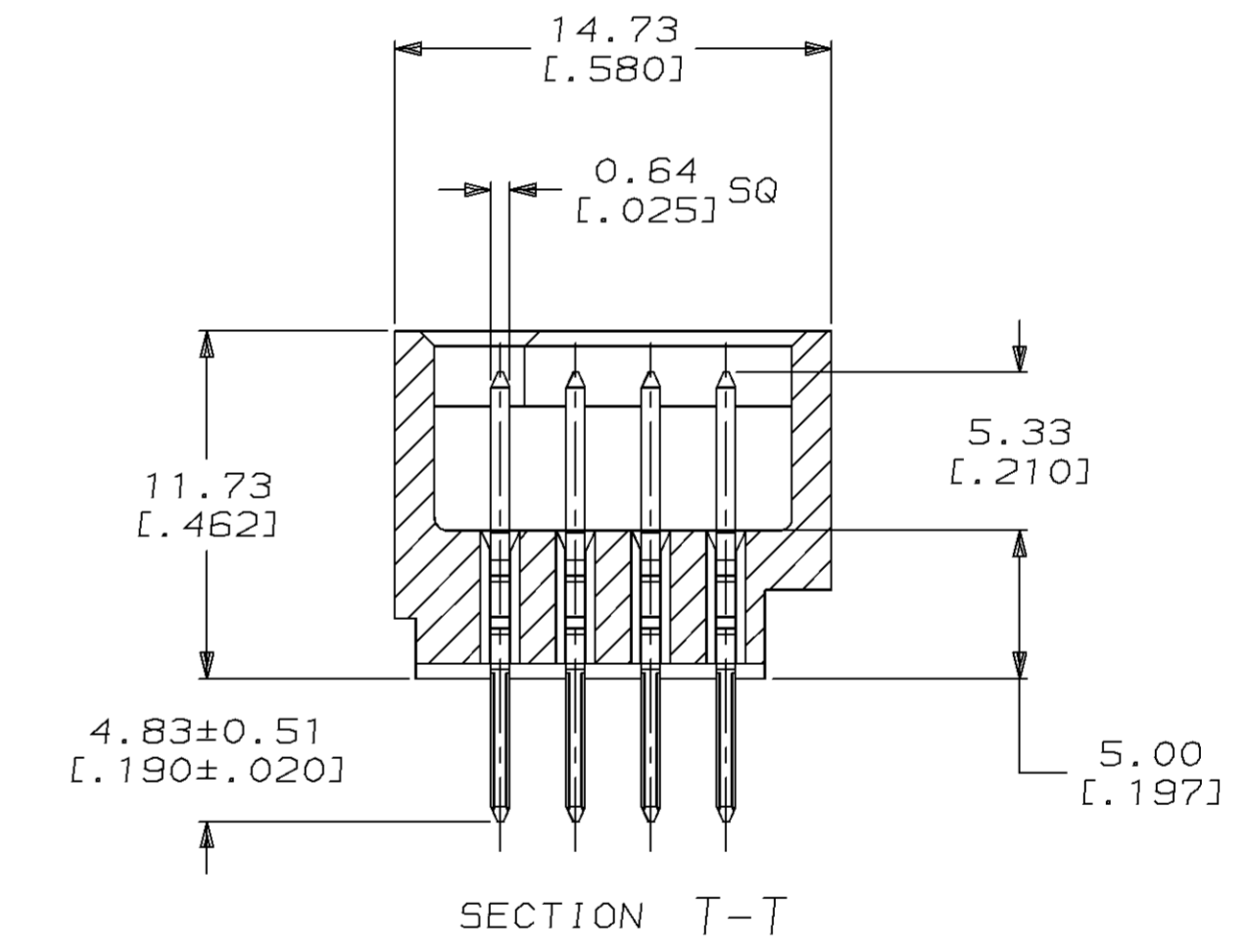
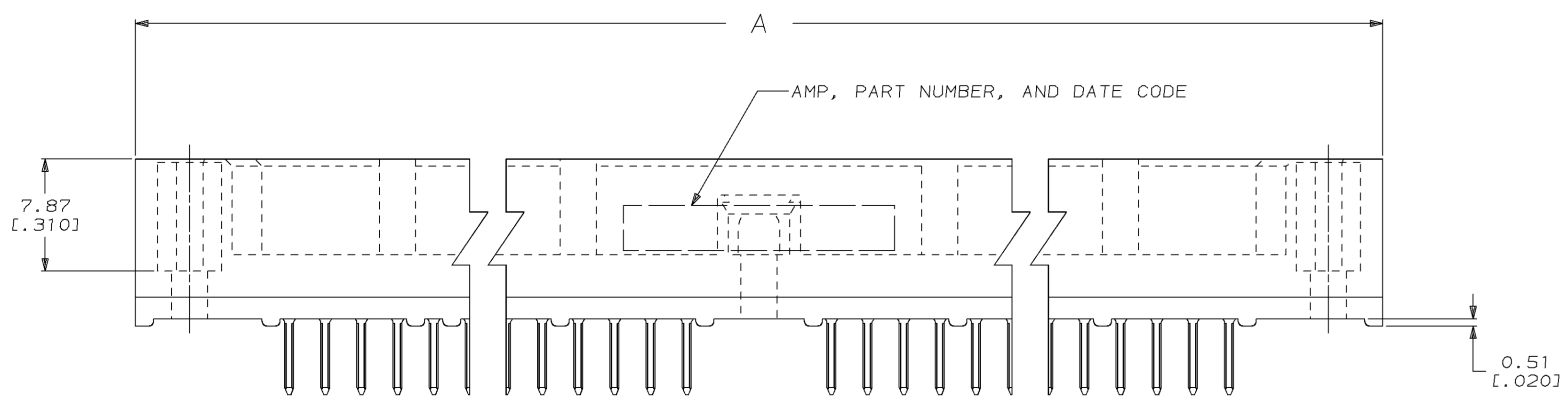
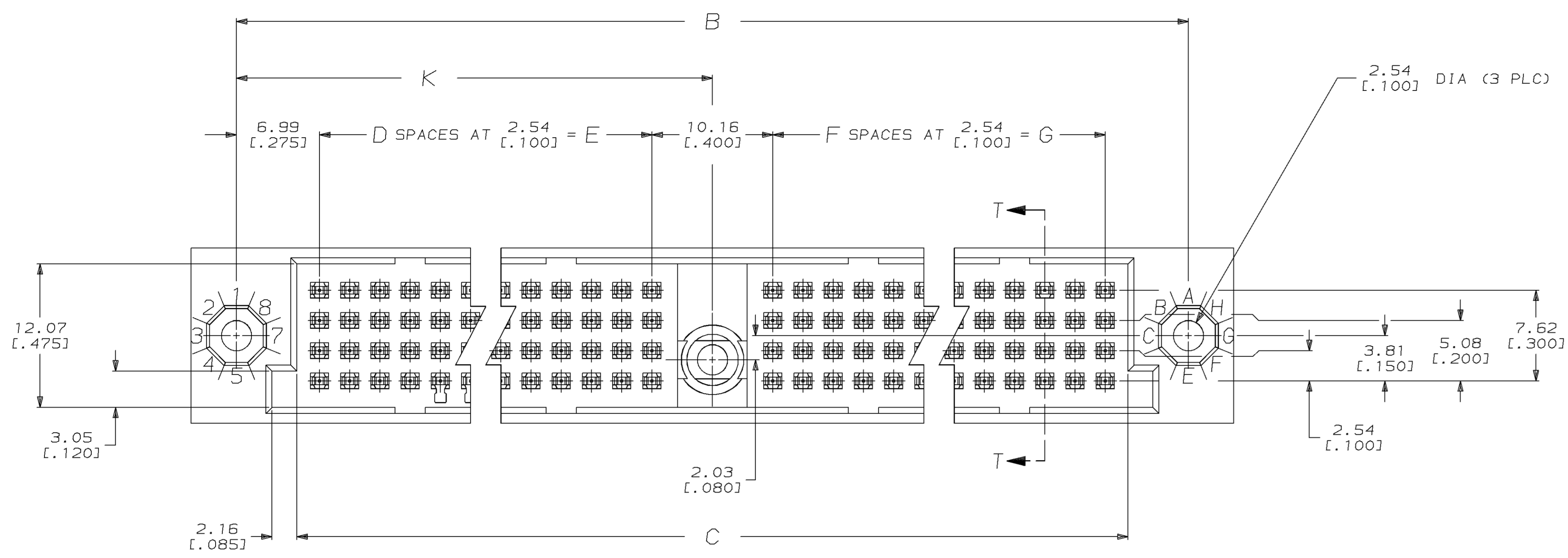


LOC	DIST	P	F	ZONE	LTR	DESCRIPTION	DATE	APPD
AD	25							
						REVISIONS		
						D	ECN AD4218	04/11/90 RKS
						E	RECAVITATED -8 T.S.	11-29-93 GS
						F	REVISED PER ECN 0010-1068-93 TH	11-29-93 GS
						G	REVISED PER ECN 0010-0841-93 T.S.	2-1-94 GS
						H	ECN. 0010-0919-94 TH	6/18/94 GES
						J	PER EC 0471-95 T.S.	4-24-95 GS



RECOMMENDED P.C. BOARD LAYOUT



DO NOT SCALE PRINT. UNLESS SPECIFIED DIMENSIONS IN mm [INCHES] TOLERANCES ON:		DR 04/11/90 R.K. SEIFRIED		PART NO	
2 PLC DEC ± -		CHK 8-17-92 F. KIBLER		AMP AMP Incorporated Harrisburg, PA 17105-3608	
3 PLC DEC ± 0.13 [.005]		APPD 8-17-92 DAVE HOFFMAN		NAME	
ANGLES ± -		APPD 8-17-92 DAVE HOFFMAN		HDI, 4 ROW, PIN ASSEMBLY, ONE CENTER GUIDE PIN, 4.83 [.190] LONG SOLDER POSTS, .00076 [.000030] GOLD PLATE	
MATERIAL		PRODUCT SPEC		SIZE	
FINISH		APPLICATION SPEC		CAGE CODE	
WEIGHT		SCALE		DRAWING NO	
		4:1		533083	
				SHEET 1 OF 2	

LOC		DIST		P		F		ZONE		LTR		REVISIONS			
AD	25											DESCRIPTION	DATE	APPD	
												J	SEE SHEET 1	-	-

- ① HOUSING MATERIAL: THERMOPLASTIC, COLOR-NATURAL.
- ② CONTACT MATERIAL: PHOSPHOR BRONZE.
- ③ CONTACT FINISH: .00127-.00254 [.000050-.000100] NICKEL UNDERPLATE ALL OVER; .00076 [.000030] GOLD PLATE IN CONTACT AREA, TIN-LEAD PLATED POSTS.
- ④ SOLDER PIN POST RECOMMENDED P.C. BOARD HOLE SIZES ARE 0.94-1.09 [.037-.043]; RECOMMENDED PAD DIA IS 1.52 [.060].
- 5. DIMENSIONS IN BRACKETS ARE IN INCHES.
- ⑥ PART NUMBER IS OBSOLETE.

										533083-9
164.46 [6.475]	152.40 [6.000]	60	152.40 [6.000]	60	318.77 [12.550]	328.93 [12.950]	336.55 [13.250]	488		533083-8
156.84 [6.175]	144.78 [5.700]	57	144.78 [5.700]	57	303.53 [11.950]	313.69 [12.350]	321.31 [12.650]	464		533083-7
149.22 [5.875]	137.16 [5.400]	54	137.16 [5.400]	54	288.29 [11.350]	298.45 [11.750]	306.07 [12.050]	440		533083-6
141.60 [5.575]	129.54 [5.100]	51	129.54 [5.100]	51	273.05 [10.750]	283.21 [11.150]	290.83 [11.450]	416		533083-5
133.98 [5.275]	121.92 [4.800]	48	121.92 [4.800]	48	257.81 [10.150]	267.97 [10.550]	275.59 [10.850]	392		533083-4
126.36 [4.975]	114.30 [4.500]	45	114.30 [4.500]	45	242.57 [9.550]	252.73 [9.950]	260.35 [10.250]	368		533083-3
118.74 [4.675]	106.68 [4.200]	42	106.68 [4.200]	42	227.33 [8.950]	237.49 [9.350]	245.11 [9.650]	344		533083-2
111.12 [4.375]	99.06 [3.900]	39	99.06 [3.900]	39	212.09 [8.350]	222.25 [8.750]	229.87 [9.050]	320		533083-1
K	G	F	E	D	C	B	A	POSN		PART NUMBER

DO NOT SCALE PRINT. UNLESS SPECIFIED DIMENSIONS IN mm [INCHES] TOLERANCES ON: 2 PLC DEC ± - 3 PLC DEC ± 0.13 [.005] ANGLES ± -		DR 04/11/90 R.K. SEIFRIED CHK 8-17-92 F. KIBLER APPD 8-17-92 DAVE HOFFMAN APPD 8-17-92 DAVE HOFFMAN PRODUCT SPEC -		AMP AMP Incorporated Harrisburg, PA 17105-3608	
MATERIAL ① ②		NAME HDI, 4 ROW, PIN ASSEMBLY, ONE CENTER GUIDE PIN, 4.83 [.190] LONG SOLDER POSTS, .00076 [.000030] GOLD PLATE		DRAWING NO 533083	
FINISH ③		APPLICATION SPEC -		SIZE D	CAGE CODE 00779
WEIGHT		SCALE 4:1		SHEET 2 OF 2	

