

**Style**

M12 Plug  
4 pin  
A-coding

**Ratings**

Voltage: 250 V  
Current: 4 A

**Operating Temperature Range**

-40 ~ 85 °C

**Materials**

- ① Insulator: TPU, black
- ② Pin: C3604 brass, gold plated
- ③ Shell: C3604 brass, nickel plated

**Electrical Requirements**

Dielectric strength: 1 min @ 500 Vac  
Insulation resistance: 100 MΩ @ 500 Vdc  
Contact resistance: 10 mΩ or less

**Mechanical Requirements**

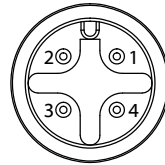
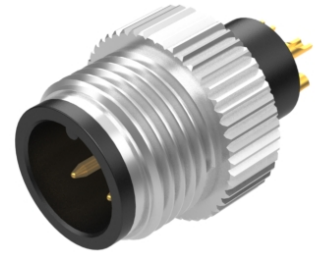
Life cycle: 500 mating cycles minimum

**Environmental Requirements**

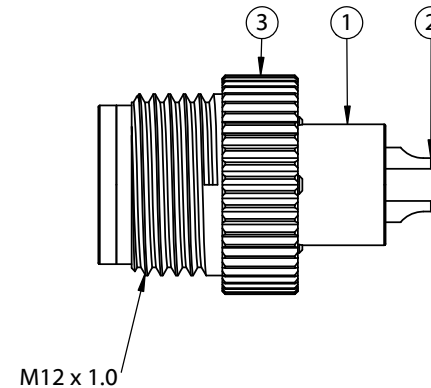
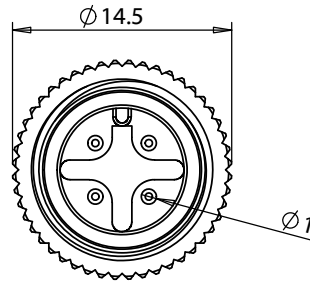
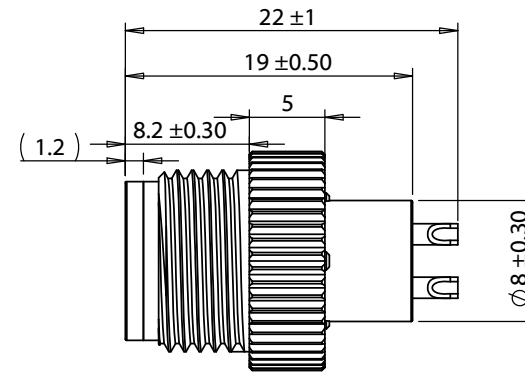
Salt spray test: 35 °C, relative humidity 90-95%, 5% NaCl mist for 48 hrs. Wash parts after test. Maintain mechanical requirements and a contact resistance of less than 10 mΩ.  
Waterproof: IP67

**Assembly Info**

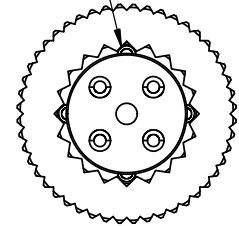
Wire gauge: 22 AWG max



Front View  
Not to Scale



Spin-locking feature  
Slide shell to unlock/lock



Revision:	Date:	Description:	Prepared:	Notes:	<h1>TENSILITY</h1> tel 1.541.323.3228 800 877.670.7118 fax 1.541.323.4202 web tensility.com
A	8/4/2020	Initial release	AW <small>Digitally signed by AW Date: 2020.10.12 13:06:40 -07'00'</small>	RoHS compliant	
			Verified:	Function test: no open, no short circuit, no intermittent	Size: Part number: A 50-00973
			AG <small>Digitally signed by AG Date: 2020.10.14 12:15:55 -07'00'</small>	Description: Connector, 4 pin M12 A-code plug, 12xL22mm, gold plated, molding style, solder cup, IP67	
			Dimensions are in millimeters. Tolerances: X: ± 0.3 mm X.X: ± 0.1 mm X.XX: ± 0.05 mm	Scale: 2:1	Sheet 1 of 1