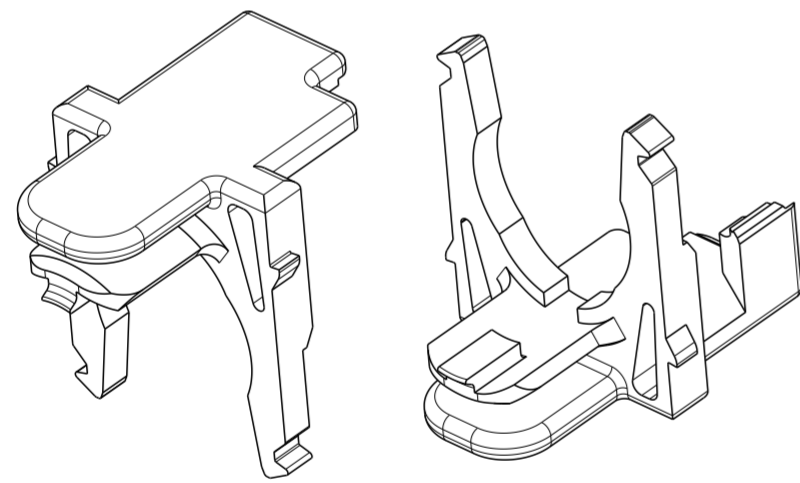
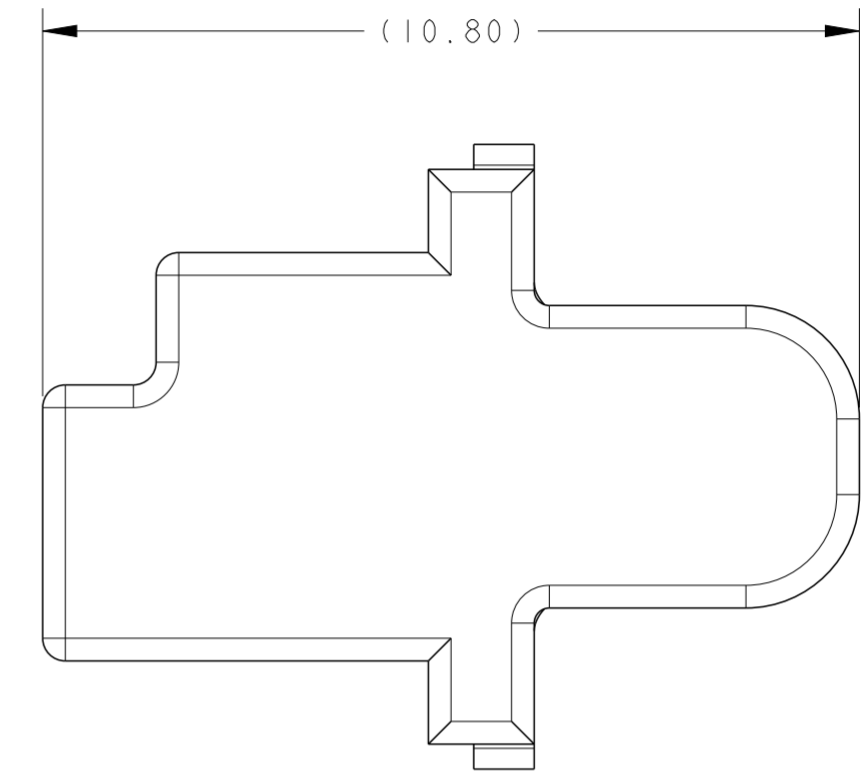
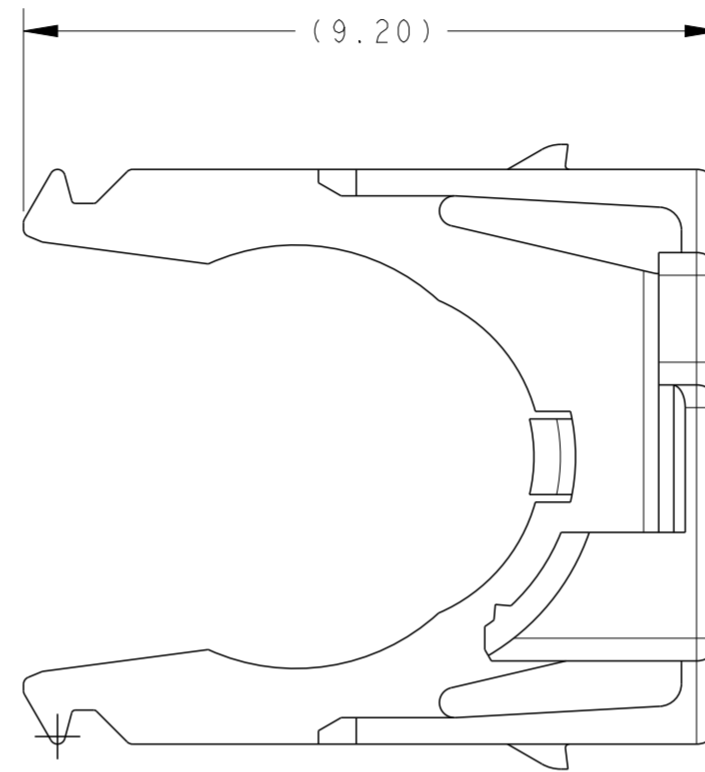
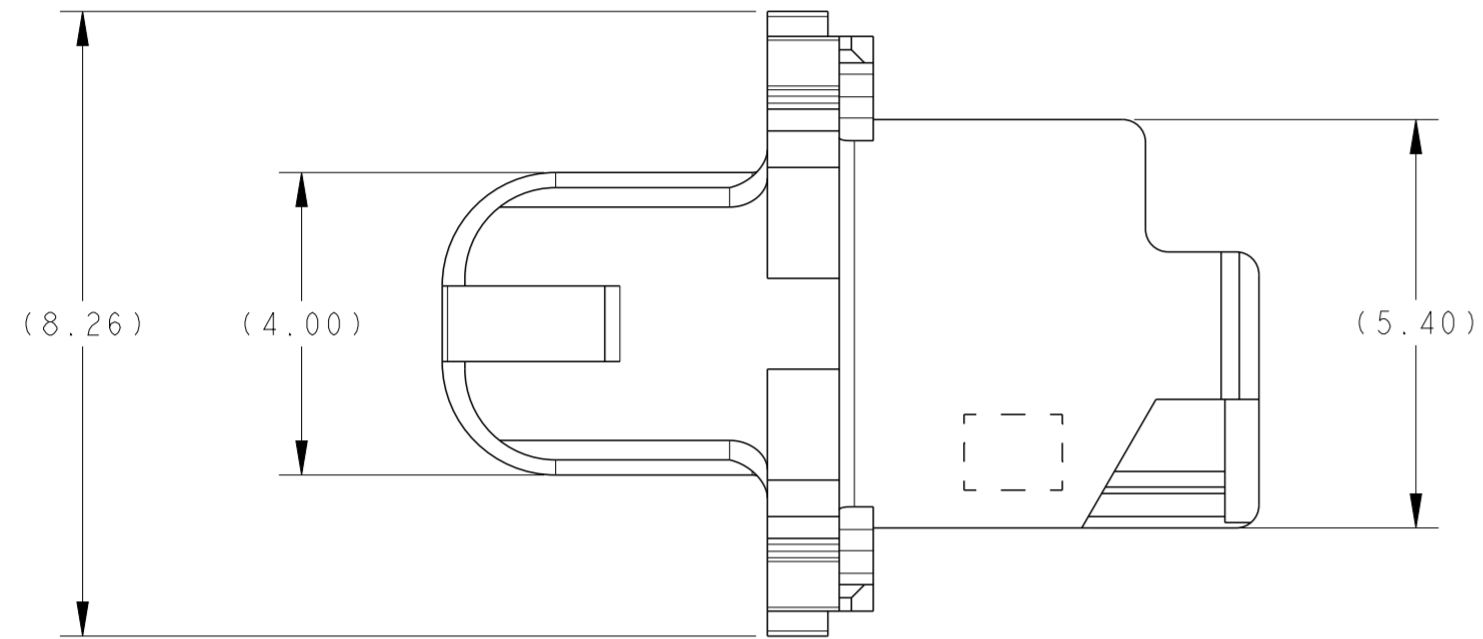
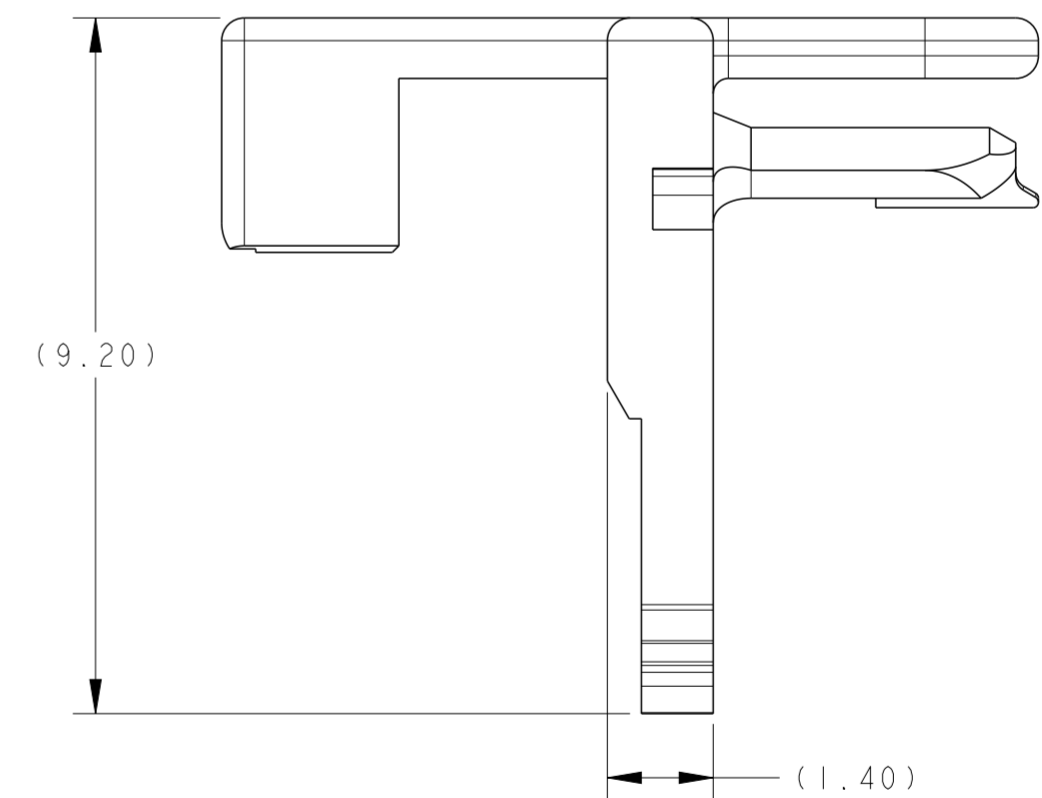


P	LTR	DESCRIPTION	DATE	DWN	APVD



ISOMETRIC VIEWS  
SCALE 5:1



2312641-1

PART  
NUMBER

1 MATERIAL: POLYESTER PBT, GLASS FILLED. COLOR: WATER BLUE.

THIS DRAWING IS A CONTROLLED DOCUMENT.		DWN J. A. BAKER 20 JUL 2017	TE Connectivity	
DIMENSIONS:		CHK E. R. LOVE 20 JUL 2017		
mm	TOLERANCES UNLESS OTHERWISE SPECIFIED:	APVD J. W. HALL 25 FEB 2020	NAME FEMALE SECONDARY LOCK, 1 WAY, AUTOMATED FAKRA	
	0 PLC ±	PRODUCT SPEC	-	
	1 PLC ±	APPLICATION SPEC	108-32137	
	2 PLC ±	SIZE	114-32145	
	3 PLC ±	WEIGHT	0.12g	
	4 PLC ±	CUSTOMER DRAWING	SCALE 10:1 SHEET 1 OF 1 REV A	
	ANGLES ±			
	FINISH -			