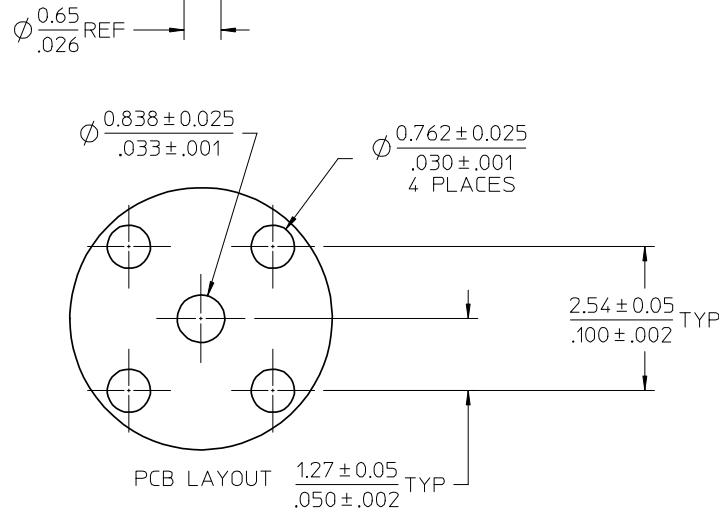
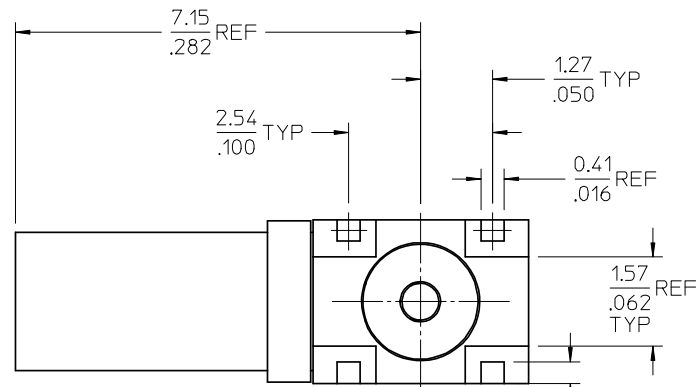
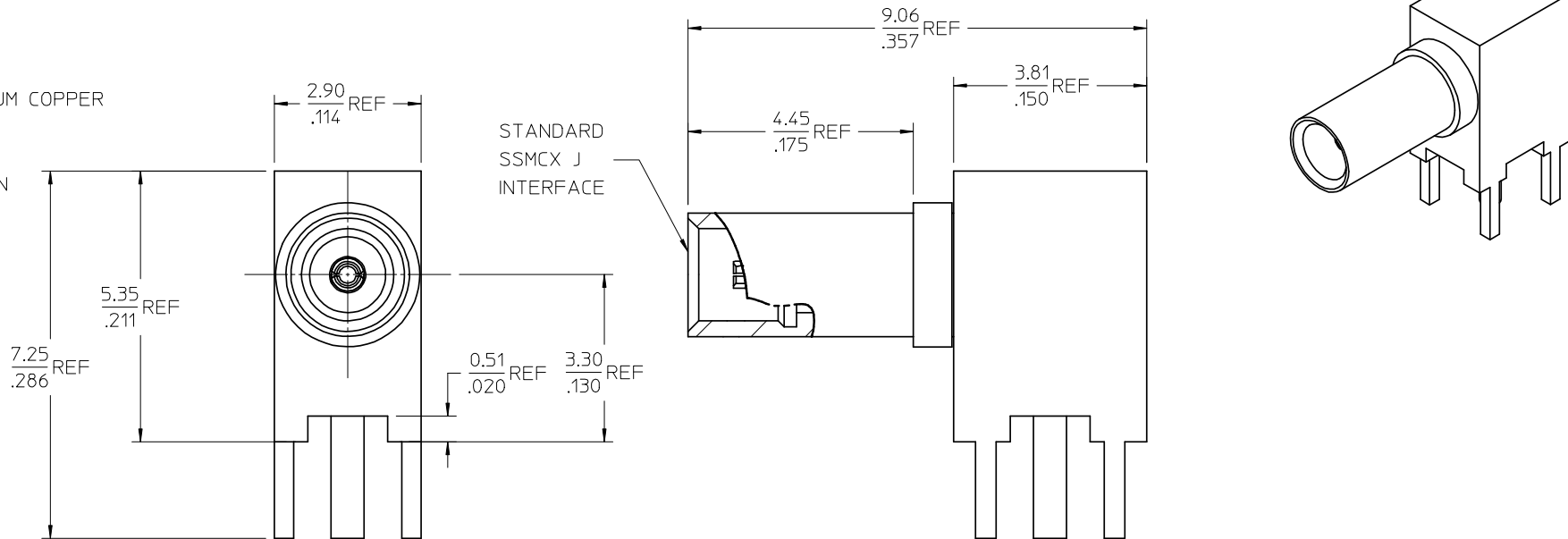


MATERIALS AND FINISHES

BODY: BRASS
PLATED GOLD

CONTACT: BERYLLIUM COPPER
PLATED GOLD

INSULATOR: TEFLON



PART # 73415-6890

PS-73599-0009-0011

INTERFACE SSMCX JACK

SPECIFICATION

DESCRIPTION

CHG: REVISED LEG
AND PCB SPACING.

EC NO: URF2009-0044
DRAWN: ROBERTSON 2008/07/28
CHKD: SSS 2008/07/28
APPR: JMWENER 2008/07/28

QUALITY SYMBOLS
▽=0
▽=0

GENERAL TOLERANCES (UNLESS SPECIFIED)
4 PLACES ± .005 ± .005
3 PLACES ± .005 ± .005
2 PLACES ± .005 ± .005
1 PLACE ± .005 ± .005
ANGULAR ± 2°
DRAFT WHERE APPLICABLE
MUST REMAIN WITHIN DIMENSIONS

DIMENSION STYLE MM/IN
DRAWN BY AZR DATE 2008/02/13
CHECKED BY SSS DATE 2008/02/13
APPROVED BY JDW DATE 2008/02/13
MATERIAL NO. 734156890
SIZE C

SCALE DESIGN UNITS METRIC
TITLE SSMCX J RA STANDARD
50 OHM PCB MOUNT
SSMCX-JR, EWR-3547
MOLEX INCORPORATED
DOCUMENT NO. SD-73415-689
SHEET NO. 1 OF 1
THIS DRAWING CONTAINS INFORMATION THAT IS PROPRIETARY TO MOLEX INCORPORATED AND SHOULD NOT BE USED WITHOUT WRITTEN PERMISSION