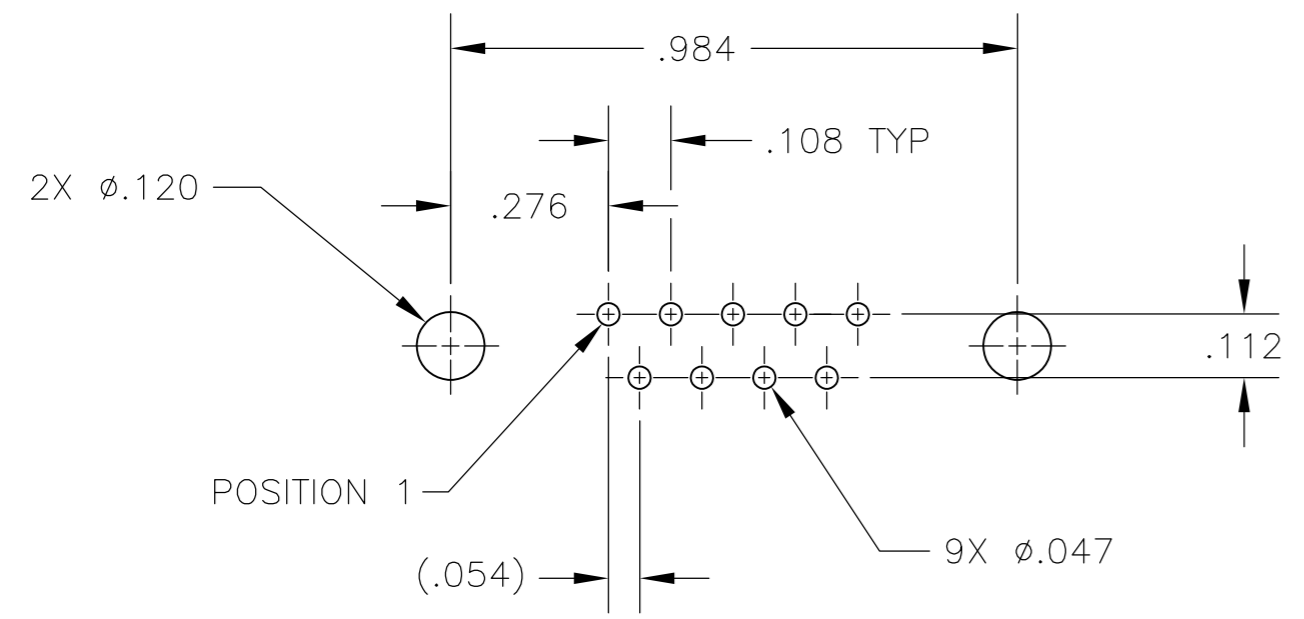
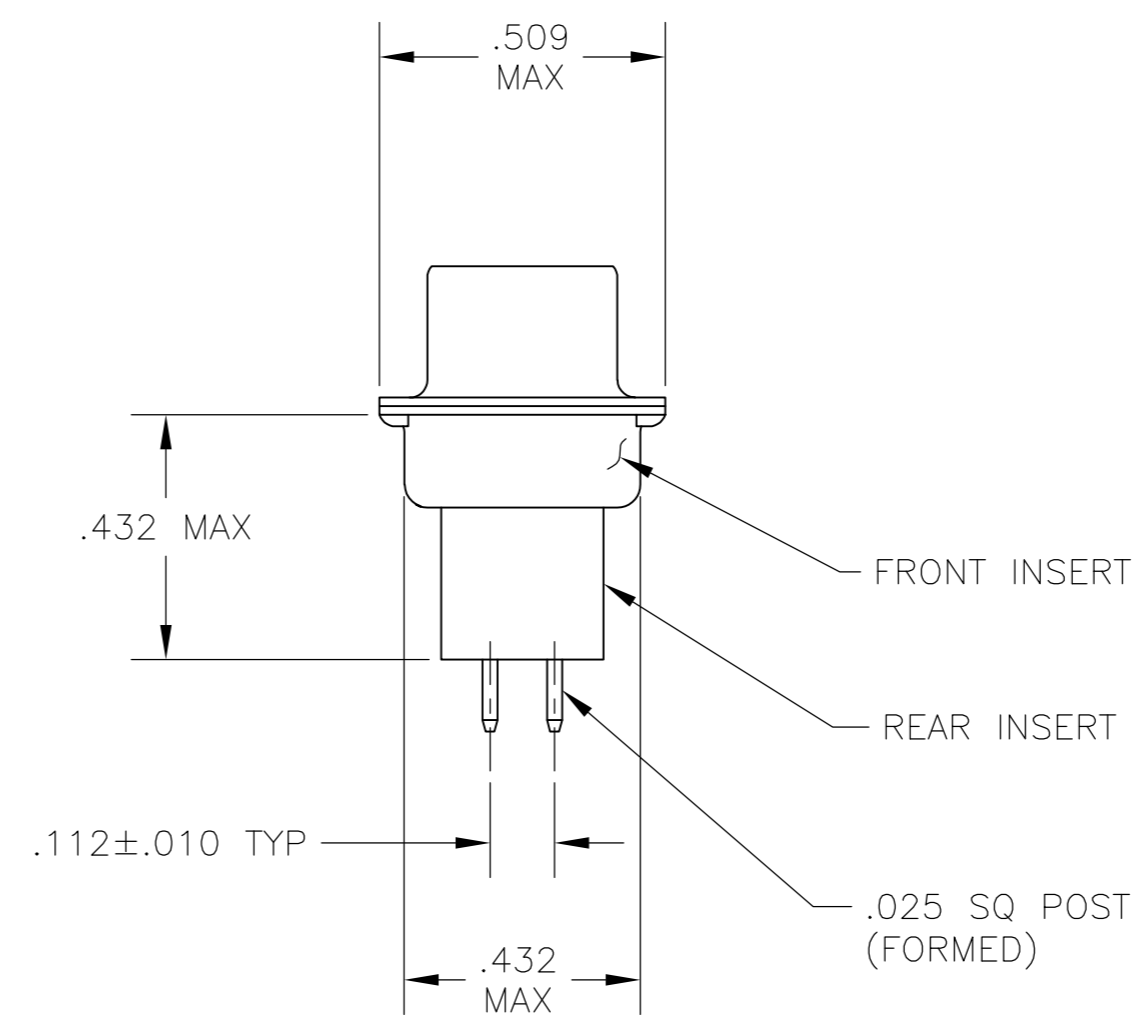
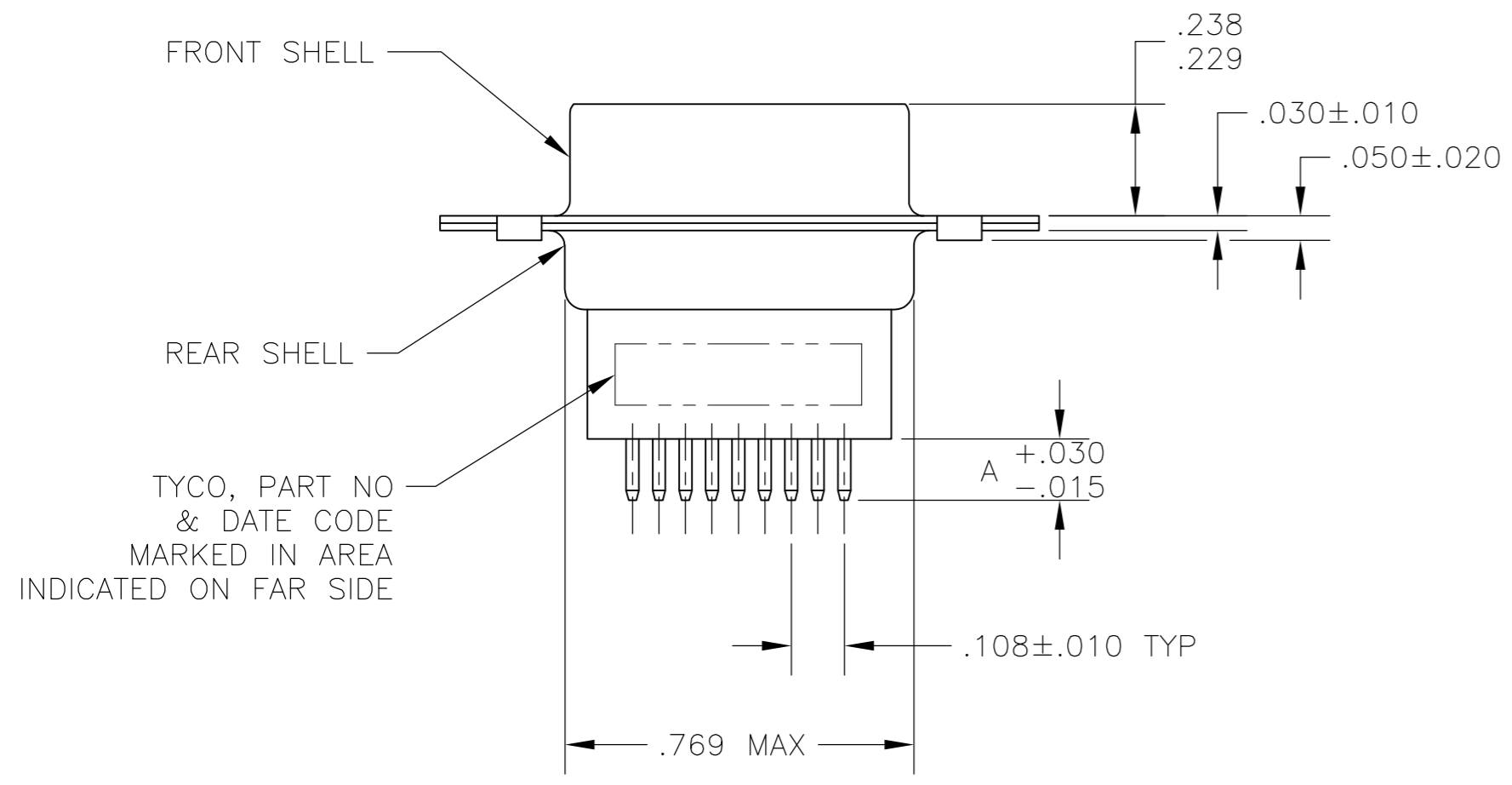
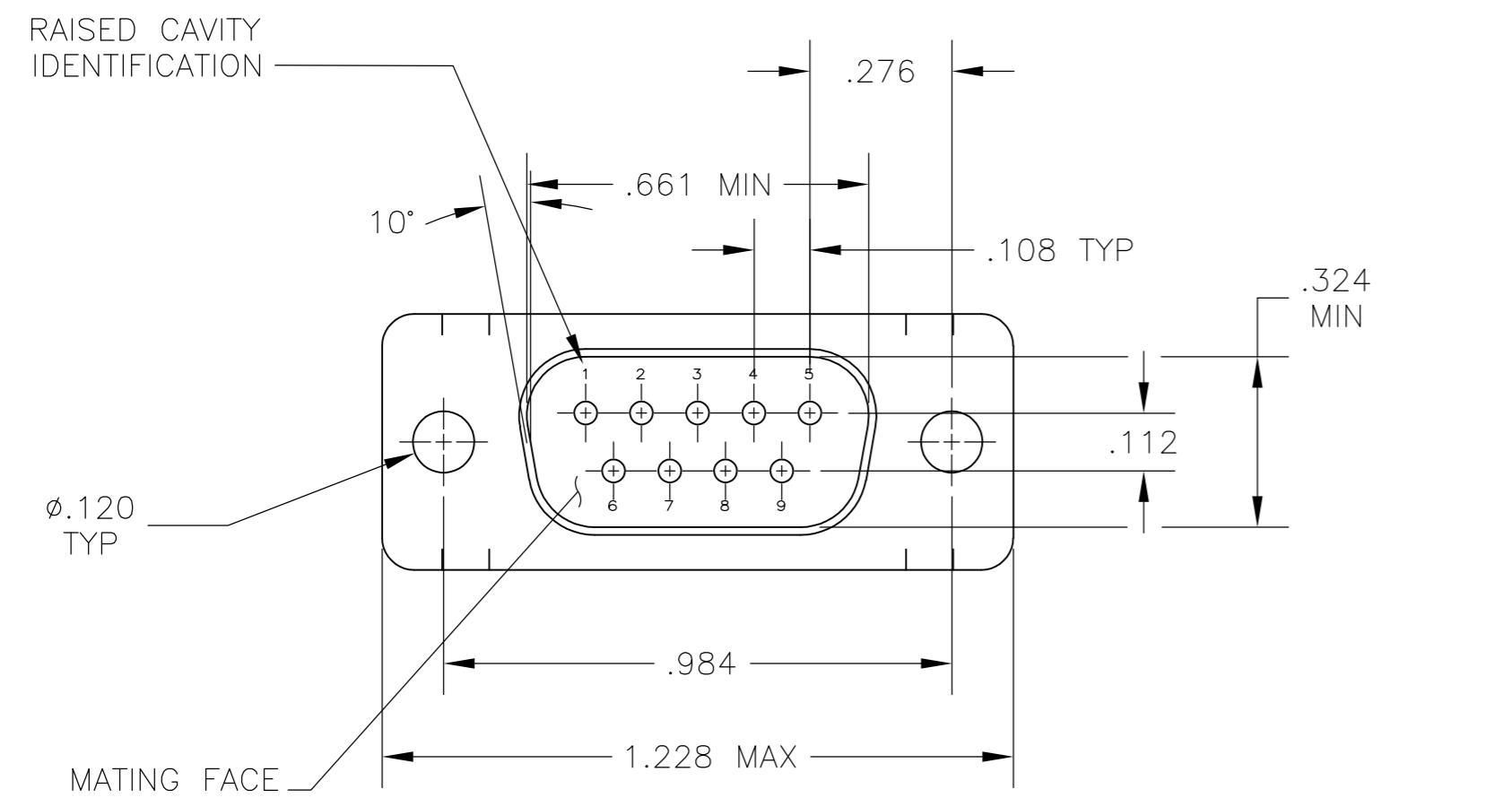


THIS DRAWING IS UNPUBLISHED. RELEASED FOR PUBLICATION  
 © COPYRIGHT 2005 By - ALL RIGHTS RESERVED.

LOC		DIST		REVISIONS			
P	LTR	DESCRIPTION		DATE	DWN	APVD	
GP	00	D		REVISED PER ECO-14-011808	09AUG2014	AP	SB

- 1 MOLDED PARTS: GLASS-FILLED PBT OR GLASS-FILLED NYLON, UL94V-0 RATED.  
 COLOR: BLACK  
 SHELLS: CARBON STEEL  
 CONTACTS: BRASS
- 2 SHELLS: .000200 MIN ZINC WITH YELLOW CHROMATE COATING.  
 CONTACTS: GOLD PLATED FOR LENGTH OF .150 MIN FROM MATING END,  
 .000030 MIN GOLD IN MATED AREA,  
 .000100 MIN TIN ON SOLDER END, BOTH OVER  
 .000050 MIN NICKEL.  
 OR  
 GOLD FLASH OVER PALLADIUM-NICKEL PLATED FOR LENGTH OF  
 .150 MIN FROM MATING END,  
 .000030 MIN TOTAL IN MATED AREA,  
 .000100 MIN TIN ON SOLDER END, BOTH OVER  
 .000050 MIN NICKEL.



PC BOARD MOUNTING DIMENSIONS

.188	5205733-7
.125	5205733-1
A	PART NO

THIS DRAWING IS A CONTROLLED DOCUMENT.		DWN B. LATTUCA 02SEPT05	TE Connectivity	
DIMENSIONS: INCHES		CHK S. BOLASH 02SEPT05		
TOLERANCES UNLESS OTHERWISE SPECIFIED:		APVD M. WALMSLEY 02SEPT05	NAME	
0 PLC ± -		PRODUCT SPEC	PLUG ASSEMBLY, SIZE 1, 9 POSN, VERTICAL	
1 PLC ± -		APPLICATION SPEC	AMPLIMITE HDP	
2 PLC ± -		108-40025	SIZE	CAGE CODE
3 PLC ± .005		114-40013	A2	00779
4 PLC ± -		WEIGHT -	DRAWING NO	RESTRICTED TO
ANGLES ± -		CUSTOMER DRAWING	C=5205733	-
FINISH		SCALE NTS	SHEET 1 of 1	REV D

5205733