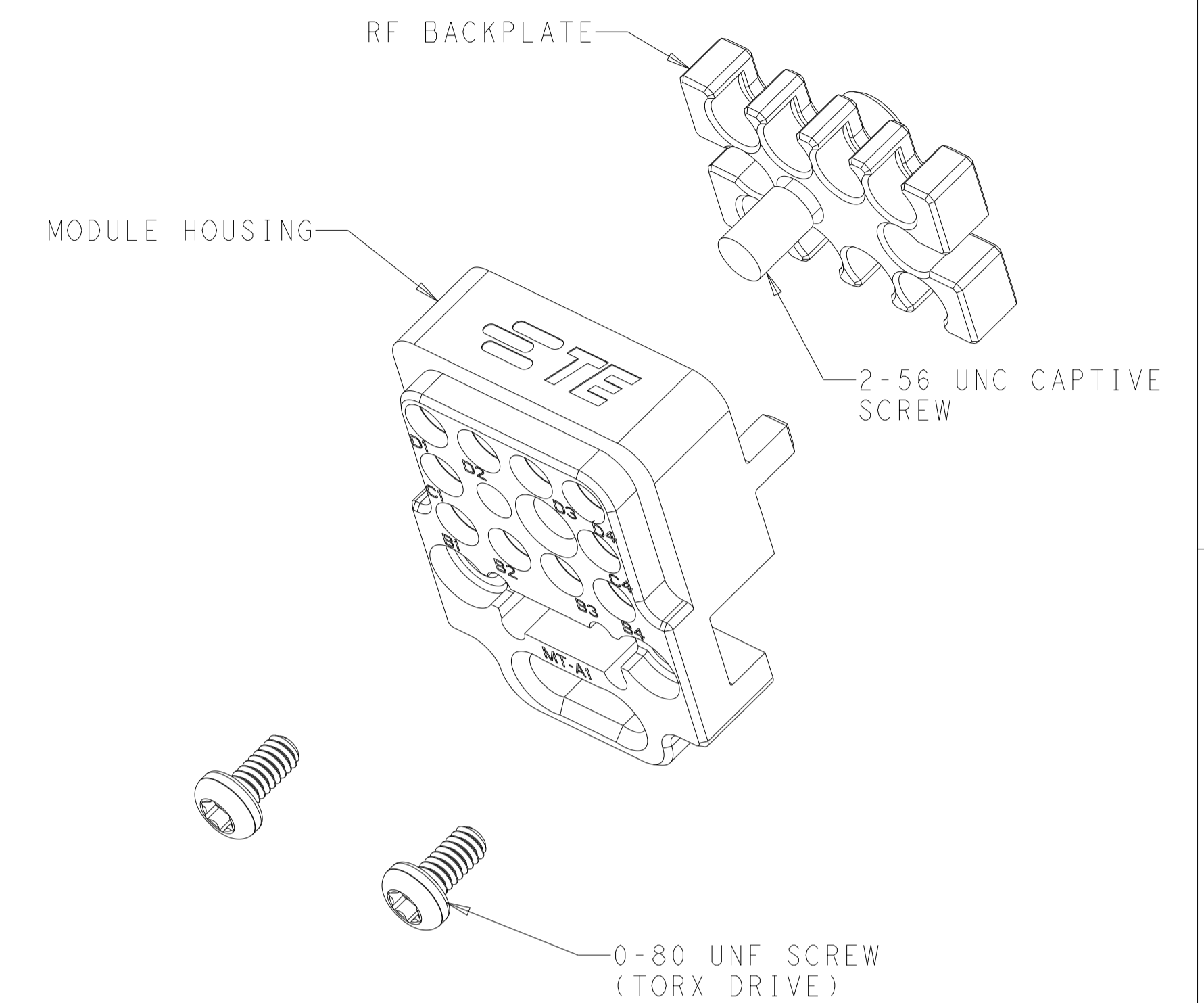
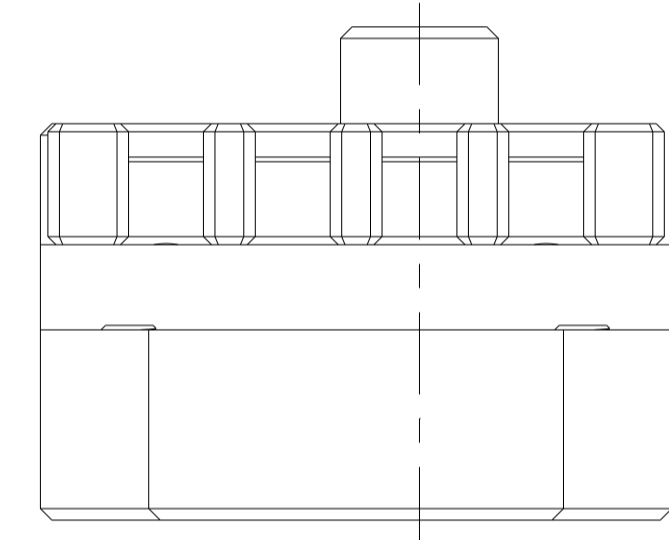
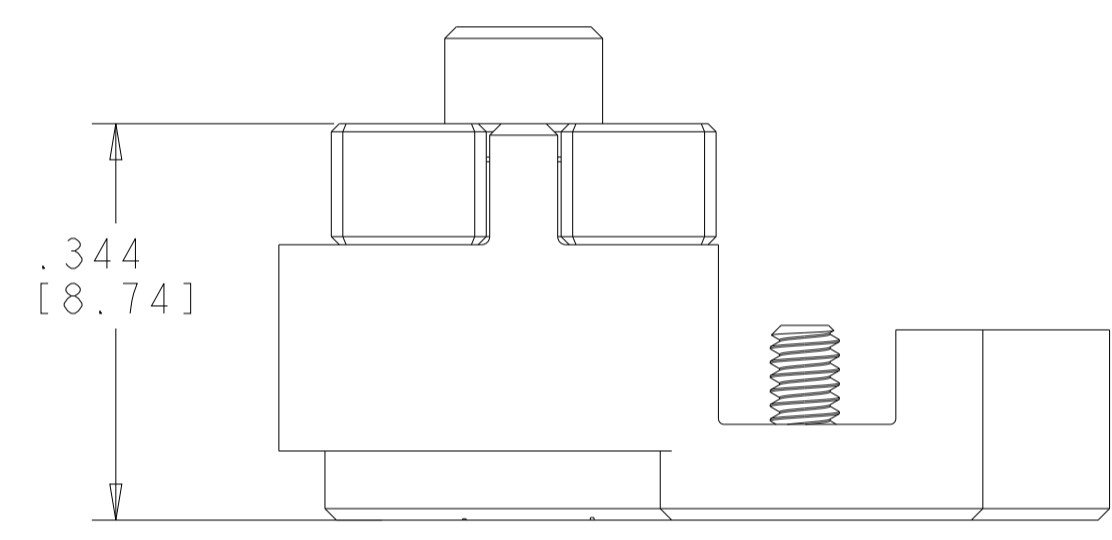
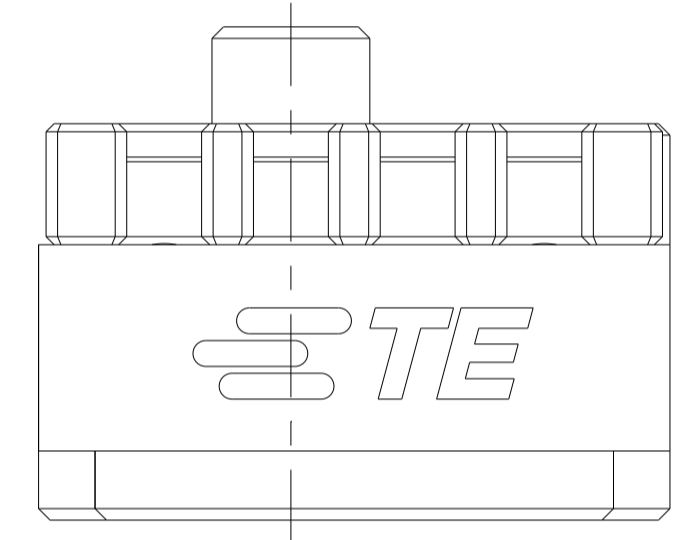
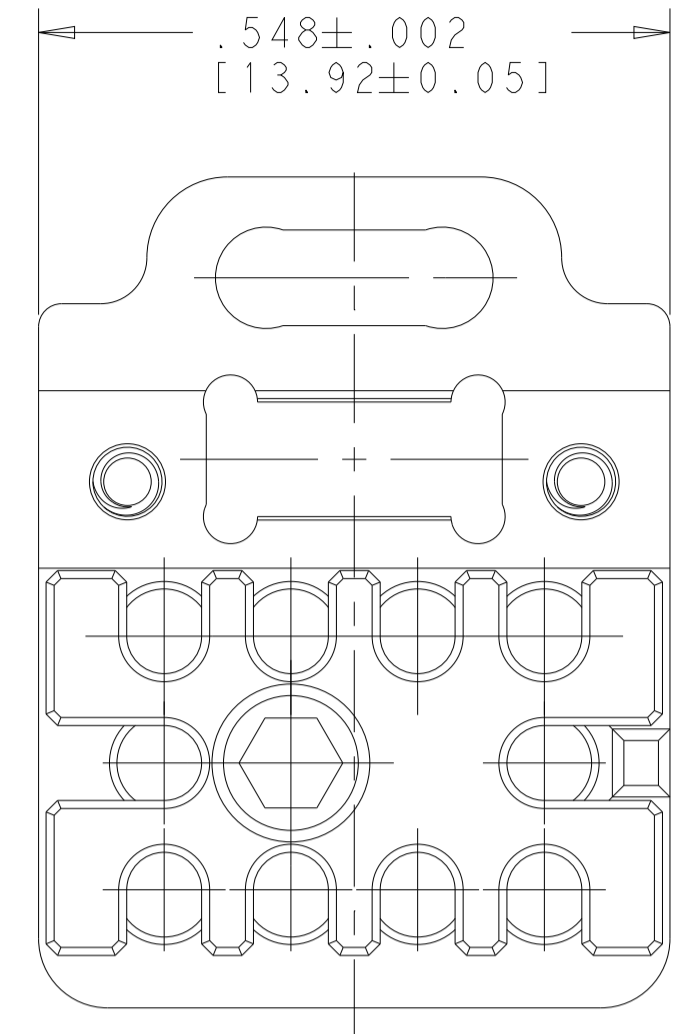
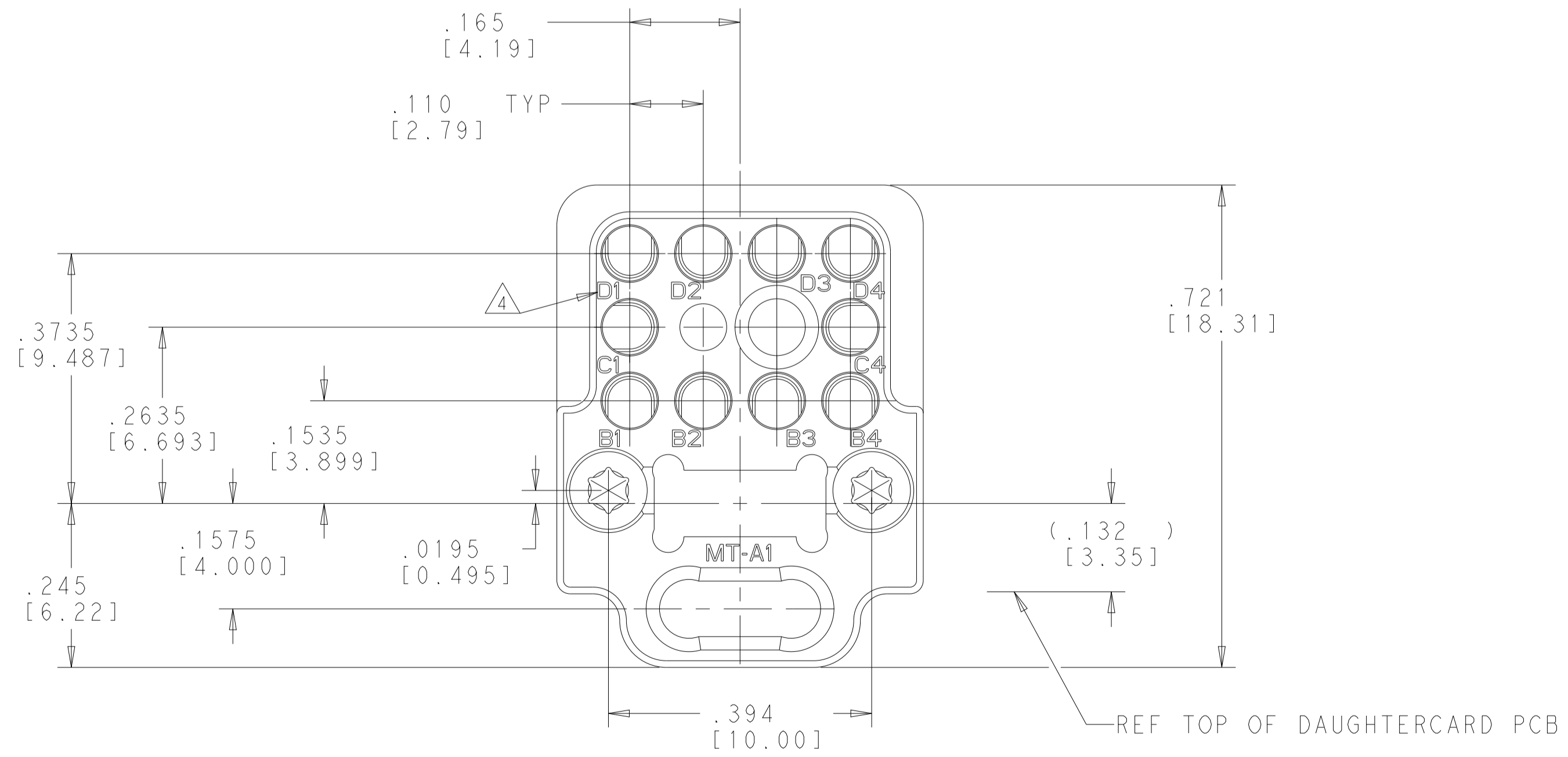


LOC	DIST	REV	DESCRIPTION	DATE	DMN	APVD
-	-	1				
		2	.394 WAS .409 (ZONE A7)	16DEC2019	KM	CG
		3	ADD COMPATIBLE TRANSCEIVER P/N'S	11JUN2020	KM	CG
		4	ADD ADD'L ALIGNMENT	16SEP2020	KM	CG
		5	.774[19.66] WAS .780[19.81]	16OCT2022	KM	FB



SCALE 5:1



- ⚠ MATERIAL:
MODULE HOUSING AND BACKPLATE - ALUMINUM ALLOY
SCREW - 300 SERIES STAINLESS STEEL
- ⚠ FINISH:
MODULE HOUSING AND BACKPLATE - CLEAR CHROMATE CONVERSION COATING
SCREW - PASSIVATED
- 3. SHIPPED IN KIT FORM. CAPTIVE SCREW TO BE PRE-ASSEMBLED TO MODULES.
- ⚠ CIRCUIT IDENTIFICATION MARKING
- 5. DESIGNED TO BE USED WITH NanoRF CONTACTS 2302339-1 AND MT TRANSCEIVER WITH INTERPOSER COMPATIBLE WITH VITA 66.5.
COMPATIBLE TRANSCEIVER TE PART NUMBERS INCLUDE:
2367559-X
2374161-X
2374798-X
SEE TRANSCEIVER DOCUMENTATION FOR THE INTERPOSER PART NUMBER REQUIRED.
- ⚠ PRODUCT SPEC:
NanoRF: 108-163006
MT FIBER OPTIC: TBD
- ⚠ APPLICATION SPEC:
NanoRF: 408-163016
MT FIBER OPTIC: TBD

2313388-1
PART NUMBER

THIS PRINT IS
PRELIMINARY
UNQUALIFIED PRODUCT
CONTACT PRODUCT ENGINEERING
BEFORE USING THIS PRINT

THIS DRAWING IS A CONTROLLED DOCUMENT.		DMN K. MILLER 08JUL2019	TE Connectivity	
DIMENSIONS: INCHES/mm		CHK C. GINGRICH 03SEP2019	NAME	
TOLERANCES UNLESS OTHERWISE SPECIFIED:		APVD	PRODUCT SPEC	
0 PLC	±	PRODUCT SPEC	APPLICATION SPEC	
1 PLC	±	APVD	WEIGHT	
2 PLC	±	APVD	SCALE	
3 PLC	±.005[0.13]	APVD	SHEET	
4 PLC	±	APVD	OF	
ANGLES	±	APVD	2	
FINISH	±	APVD	REV	
MATERIAL	±	APVD	5	
Customer Drawing		SIZE	CAGE CODE	DRAWING NO
		A1	00779	2313388

LOC		DIST		REVISIONS			
P	LTN	DESCRIPTION	DATE	DWN	APVD		
-	-	SEE SHEET 1	-	-	-		



REQUIRED TRANSCEIVER MOUNTING LOCATION
SEE TRANSCEIVER DOCUMENTATION FOR SPECIFIC
MOUNTING DETAILS

THIS DRAWING IS A CONTROLLED DOCUMENT.		DWN K. MILLER 08JUL2019	TE Connectivity	
DIMENSIONS: INCHES/mm		CHK C. GINGRICH 03SEP2019	NAME	
TOLERANCES UNLESS OTHERWISE SPECIFIED:		APVD	PRODUCT SPEC	
0 PLC ±		PRODUCT SPEC	CONNECTOR KIT, PLUG, D-CARD, 10 POS NanoRF, TRANSCEIVER, MT, VITA 66.5-STYLE C VARIANT	
1 PLC ±		APPLICATION SPEC	RESTRICTED TO	
2 PLC ±		WEIGHT	SIZE CAGE CODE DRAWING NO	
3 PLC ±		Customer Drawing	A100779C=2313388	
4 PLC ±		SCALE 5:1	SHEET 2 OF 2	
ANGLES ±		REV 5		
FINISH				