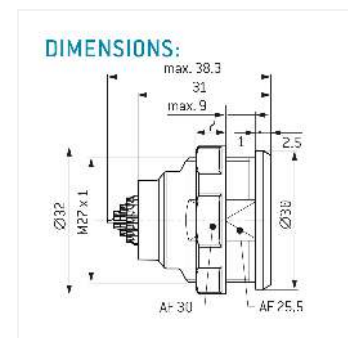
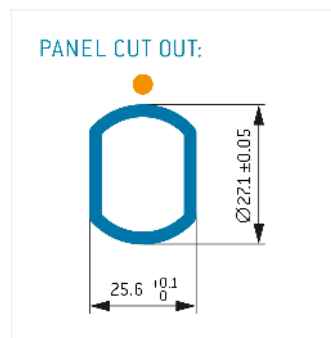
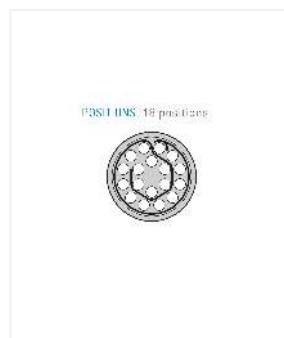
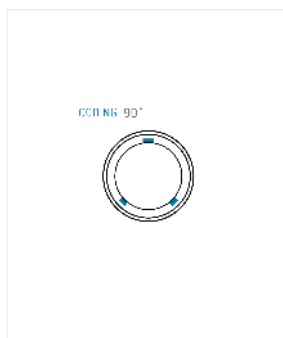


General information

Part number	GXBMFG-P18LJH0-0002
Termination	solder
Size	3,5
Locking principle	push
Coding	f_key_medi



Contact insert description

Number of contacts	18
Contact type	sockets
Contact diameter	09mm
Insulator material	peek
Wire cross section	20_awg
Termination	solder
Termination diameter	11mm

Technical information

Max. creepage and air clearance distance	07_mm	iec_60601_2mopp_2moop
Nominal current single contact	10_a	iec_60512_5_2
Nominal current insert	5 A	vde_0298_4
Test voltage	1_kv_ac	eia_364_20f

safety_text
iec_60601_receptacle

Mechanical and environmental data

Degree of protection*	ip68
Operating temperature	50_120_c
Mating cycles	5000

mated_unmated

Insulator materials MEDI-SNAP®

pei_peek_size_b

Material and surface treatments

Housing	pei_gray
Contact	cu_alloy_gold

data_text

safety_text_2

data_text

ul_text

illustrative_text