

# UMK- 8 OM/AMSC/PLC - Active module



2976420

<https://www.phoenixcontact.com/us/products/2976420>

Please be informed that the data shown in this PDF document is generated from our online catalog. Please find the complete data in the user documentation. Our general terms of use for downloads are valid.



VARIOFACE output module, for 8 channels, with plug-in sockets for Generation 4 solid-state relays from OPTO 22

## Commercial data

Item number	2976420
Packing unit	1 pc
Minimum order quantity	1 pc
Note	Made to order (non-returnable)
Sales key	C421
Product key	CK2172
Catalog page	Page 256 (IF-2009)
GTIN	4017918089337
Weight per piece (including packing)	230.3 g
Weight per piece (excluding packing)	214.8 g
Customs tariff number	85364190
Country of origin	DE

# UMK- 8 OM/AMSC/PLC - Active module



2976420

<https://www.phoenixcontact.com/us/products/2976420>

## Technical data

### Product properties

Product type	Interface module
No. of channels	8
Compatible components	Solid-state relay, Generation 4 from OPTO 22
With components	no

### Insulation characteristics

Insulation	Functional insulation
------------	-----------------------

### Insulation characteristics

Insulation	Functional insulation
------------	-----------------------

### Electrical properties

No. of channels	8
Rated surge voltage	1.2 kV

### Supported controller SIEMENS S7-400

Suitable I/O card	6ES7422-1BL00-0AA0
	6ES7422-7BL00-0AB0

### Supported controller GE-FANUC 90-30

Suitable I/O card	IC693 MDL732
	IC693 MDL740
	IC693 MDL742

### Supported controller ALLEN-BRADLEY ControlLogix

Suitable I/O card	1756-OB32
	1756-OB16E

### Supported controller ALLEN-BRADLEY PLC 5

Suitable I/O card	1771 OBN
-------------------	----------

### Supported controller ALLEN-BRADLEY SLC 500

Suitable I/O card	1746 OB16
	1746 OB 32

### Supported controller HONEYWELL Experion PKS C200

Suitable I/O card	TC-ODD 321
-------------------	------------

### Supported controller MITSUBISHI MELSEC Q

Suitable I/O card	QY81P
-------------------	-------

### Supported controller SIEMENS S7-300 / ET 200 M

Suitable I/O card	CPU 313C-2DP
	CPU 314C-2DP
	CPU 314C-2PiP

# UMK- 8 OM/AMSC/PLC - Active module



2976420

<https://www.phoenixcontact.com/us/products/2976420>

	6ES7322-1BH01-0AA0
	6ES7322-1BL00-0AA0
	6ES7323-1BH01-0AA0
	6ES7323-1BL00-0AA0
	CPU 313C
	CPU 313C-2PtP

Supported controller ABB S800 I/O

Suitable I/O card	DO810
	DO840

Supported controller GE-FANUC RX3i

Suitable I/O card	IC694MDL754
-------------------	-------------

## Input data

Nominal input voltage $U_N$	24 V DC
Protective circuit	Reverse polarity protection; Polarity protection diode
Operating voltage display	Green LED

## Output data

Compatible components	Solid-state relay, Generation 4 from OPTO 22
-----------------------	--

## Switching

Contact switching type	1 N/O contact
Maximum switching voltage	250 V AC/DC
Limiting continuous current	6 A
Nominal supply voltage	250 V AC/DC (data is module-specific)
Continuous load current	6 A
Error detection (line break / short-circuit)	no

## Connection data

### Field level

Connection method	Screw connection
Stripping length	6 mm
Screw thread	M3
Number of connections	18
Number of positions	2
Conductor cross section rigid	0.14 mm <sup>2</sup> ... 1.5 mm <sup>2</sup>
Conductor cross section flexible	0.14 mm <sup>2</sup> ... 1.5 mm <sup>2</sup>
Conductor cross section AWG	26 ... 14

### Controller level

Connection method	IDC/FLK pin strip
Number of connections	1
Number of positions	14
Pitch	2.54 mm

# UMK- 8 OM/AMSC/PLC - Active module



2976420

<https://www.phoenixcontact.com/us/products/2976420>

## Signaling

Status display present	Yes
------------------------	-----

## Dimensions

Width	123.5 mm
Height	90 mm
Depth	87 mm

## Material specifications

Housing insulation material	PVC, side panel PA non-reinforced,
-----------------------------	------------------------------------

## Environmental and real-life conditions

### Ambient conditions

Ambient temperature (operation)	-20 °C ... 50 °C
Ambient temperature (storage/transport)	-20 °C ... 70 °C

## Standards and regulations

Standards/regulations	IEC 60664
	DIN EN 50178

## Mounting

Mounting type	DIN rail mounting
Mounting position	any

## Notes

General	For proper use, the specifications of the installation directive (see Downloads) must be observed.
---------	--

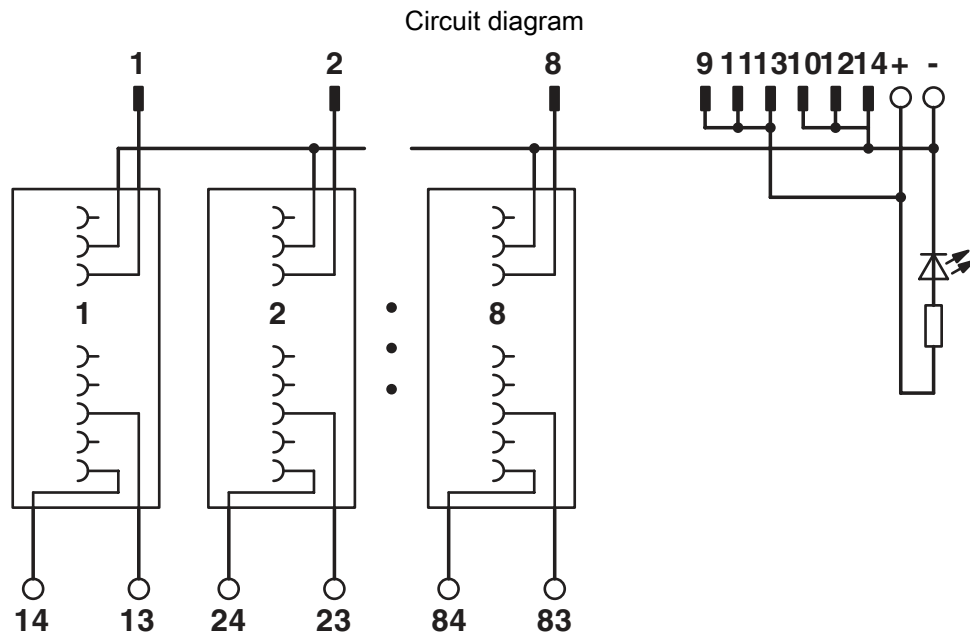
# UMK- 8 OM/AMSC/PLC - Active module



2976420

<https://www.phoenixcontact.com/us/products/2976420>

## Drawings



# UMK- 8 OM/AMSC/PLC - Active module



2976420

<https://www.phoenixcontact.com/us/products/2976420>

## Classifications

### ECLASS

ECLASS-11.0	27141152
-------------	----------

# UMK- 8 OM/AMSC/PLC - Active module



2976420

<https://www.phoenixcontact.com/us/products/2976420>

## Environmental product compliance

China RoHS	Environmentally Friendly Use Period = 50 years For information on hazardous substances, refer to the manufacturer's declaration available under "Downloads"
------------	--

Phoenix Contact 2023 © - all rights reserved  
<https://www.phoenixcontact.com>

Phoenix Contact USA  
586 Fulling Mill Road  
Middletown, PA 17057, United States  
(+717) 944-1300  
[info@phoenixcon.com](mailto:info@phoenixcon.com)