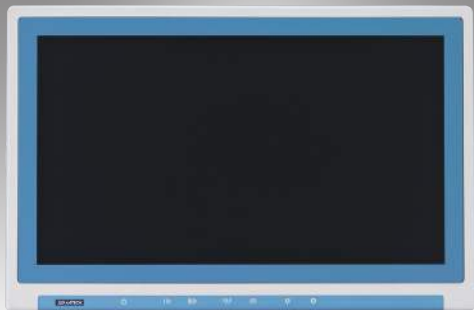


POC-W212

21.5" Widescreen Point-of-Care Terminal with Fanless and Slim Design



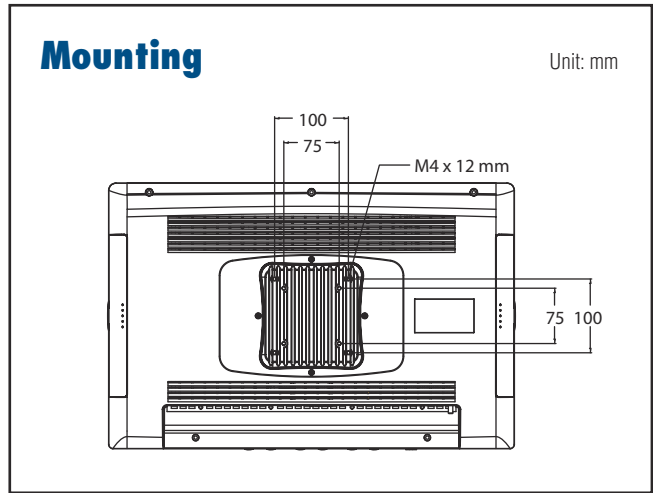
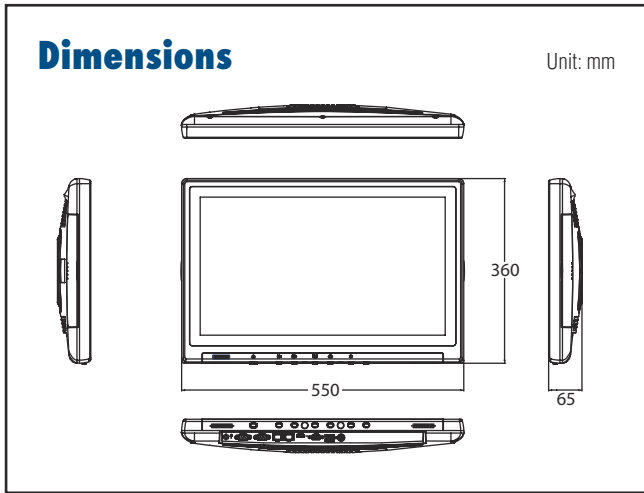
Features

- Runs on an Intel® Core™ i7 4th generation processor with a fanless, high performance profile
- Ultra-thin display, only 65 mm slim at its widest point
- Capable of displaying crystal clear images on its 21.5" wide-screen display
- Isolated design provides unique electric leakage protection for COM ports and LAN ports
- IPX1 water resistant enclosure with additional IP65 dust-tight front panel
- UL60601-1/EN60601-1 third edition certified ensures highest levels of safety and reliability
- Optional Bluetooth, RFID, Blu-ray RW, inner WLAN module, and Li-ion battery pack

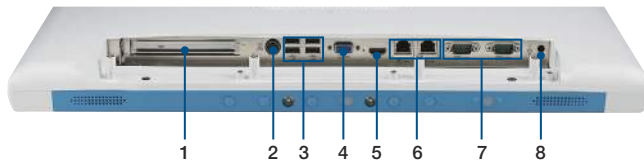


Specifications

| | | | |
|--------------------------|--|--|------------------------------------|
| Computing System | Chipset | Intel QM87 | |
| | CPU | Intel® Core i7 4650U, 1.7 GHz (up to 3.30 GHz) Processor Intel® Core i5 4300U, 1.9 GHz (up to 2.90 GHz) Processor | |
| | Memory | Up to 16GB DDR3L 1600/1333MHz SDRAM | |
| | Graphics Controller | Intel HD Graphics 5000/4400 | |
| | Operating System | Windows 7, WIN 8 Embedded Standard, Windows 8 industry Pro, Windows 10 | |
| Display | Display Size | 21.5" wide TFT color LCD (16:9) | |
| | Type | IPS | |
| | Max. Resolution | 1920 x 1080 (H x V) | |
| | Max. Colors | 16.7 M colors (6-bits+A-FRC) | |
| | Pixel Pitch (um) | 247.5 x 247.5 | |
| | Viewing Angle | 178/178° | |
| | Luminance | 250 cd/m ² | |
| | Backlight | LED | |
| | LCD MTBF | 30,000 Hours | |
| Expansion Slot | Mini PCIe (mSATA) | 2 (Mini PCIe: 1 full-size, 1 half-size) | |
| | PCIe | 1 x PCIe (x4) | |
| I/O Ports | Serial Ports | 1 x RS-232 (isolated) and 1 x RS-232/422/485 (isolated) serial port | |
| | USB 3.0 ports | 2 (rear x 2) | |
| | USB 2.0 Ports | 4 (with side door, rear x 2, side x 2) | |
| | VGA/DVI Port | 1 x VGA port | |
| | Speakers (1W) | 2 | |
| | LAN | 2 x Gigabit Ethernet (isolated) interfaces (RJ-45) | |
| | HDMI | 1 x HDMI out | |
| Storage | HDD | 1 x 2.5" SATA | |
| Power Supply | DC Model | AC/DC adapter (Sinpro Model no.HPU101-107) | |
| | Input Voltage | 90 ~ 260 V _{AC} , 1.35 ~ 0.5 A, 47 ~ 63 Hz | |
| | Output Voltage | +18 V _{DC} 5.55 A max. (100 watts) | |
| Optional Functions | Battery | 3S2P 4200mAh, supports 0.5 hr backup operation Adding the battery will prevent the PCIe card from being inserted | |
| | Smart Card Reader | Complies with ISO7816-1,2,3,T=1 and T=0 protocol | |
| | WLAN | Integrated wireless 802.11 a/b/g/n connection & internal antenna | |
| | Bluetooth | Integrated Bluetooth v4.0 | |
| | Optical Devices | DVD-RW SATA, Blu-ray RW option | |
| Optional Touchscreen | Type | Analog Resistive (Clear & AG) | Projected Capacitive 2-points (AR) |
| | Resolution | Continuous | Continuous |
| | Light Transmission | 80±3% | 90±3% |
| | Controller | USB interface | USB interface |
| | Durability | 3.5 million touches | Over 50 million touches |
| IP Rating | Front Panel | IP65 | |
| | Entire System | IPX1 | |
| Certifications | UL60601-1/EN60601-1, CE & FCC Class B certified, CCC | | |
| Environment | Temperature | 0 ~ 40° C (32 ~ 104° F) (Operating) | |
| | Humidity | 10 ~ 95% @ 40° C (Non-condensing) | |
| | Shock Resistance | 20 G peak acceleration (11 ms duration) | |
| Physical Characteristics | Dimensions (W x D x H) | 550 x 360 x 65 mm (21.65" x 14.17" x 2.56") | |
| | Weight | 6.9 kg (15.2 lb) | |

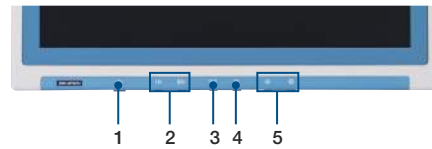


Rear I/O Ports



- (1) PCIe(x4) card slot
- (2) Power DC-IN
- (3) 2 x USB 2.0 ports
- (3-1) 2 x USB 3.0 ports
- (4) VGA port
- (5) HDMI out port
- (6) 2 x Gigabit Ethernet interfaces (RJ-45)
- (7) 1 x RS-232 (isolated) and 1 x RS-232/422/485 (isolated) serial port
- (8) Equipotential Terminal Pin

Function Keys

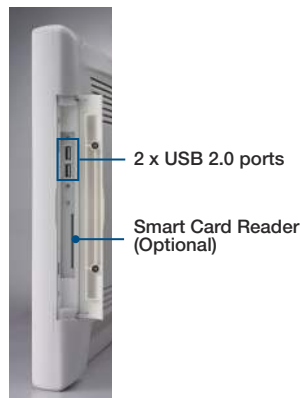


- (1) Power
- (2) Volume Up/Down
- (3) Touchscreen Status Control
- (4) Read Light Control
- (5) Brightness Increase/Decrease

Left Side I/O



Right Side I/O



Ordering Information

| Part Number | CPU | DRAM | Touch Panel | HDD |
|-------------------|---------------------|------|---------------|-----|
| POC-W212-A01D-ATE | i7 4650U 1.7 GHz | 4GB | Resistive T/S | x |
| POC-W212-B01D-ATE | i5 4300U 1.9 GHz | 4GB | Resistive T/S | x |

Accessories

| Part Number | Description |
|--------------------|--|
| PDC-W215-STAND-H3E | PDC-W215 STAND_H3-741L type_6-12kg Black |
| 1702002600 | Power Cable (USA) 1.8 M |
| 1702002605 | Power Cable (Europe) 1.8 M |
| 1700018704 | Power Cord (UK) 1.8 M |

Optional Modules

| Part Number | Description |
|---------------|---|
| POC-W21X-BTTE | Battery module (4200mAh Li-ion battery) for POC-W211 / POC-W212 Intel Core i series |
| POC-W21X-BTOE | Bluetooth 4.0 module |
| POC-W212-WF0E | Wireless module (802.11a/b/g/n) for POC-W212 |
| POC-W21X-SC0E | Smart Card module for POC-W211 / POC-W212 |
| POC-W212-RW0E | DVD+/-RW module (LG SLIM 8X SATA) for POC-W212 |