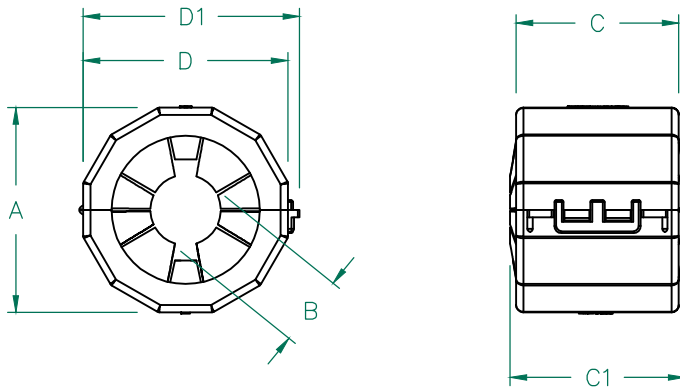


**CORE DIMENSIONS:**

A	71.80 [2.827]	+/-	0.80 [.031]
B	39.00 [1.535]	+/-	0.80 [.031]
C	46.00 [1.811]	+/-	0.80 [.031]
D	35.90 [1.413]	+/-	0.40 [.016]

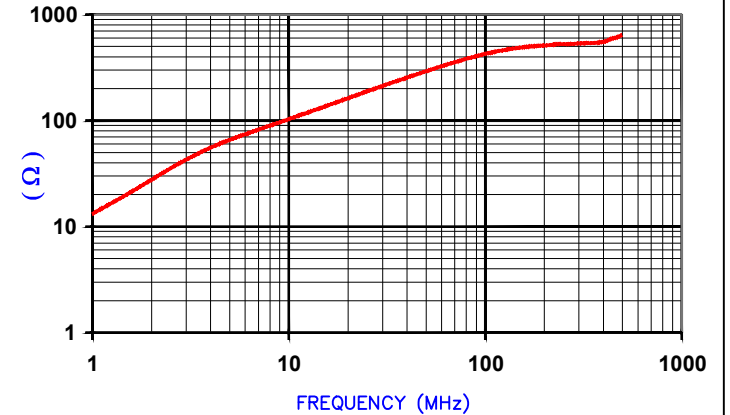


**CASE DIMENSIONS:**

A	77.14 [3.037]	+/-	REF.
B	30.00 [1.181]	+/-	REF.
C	51.33 [2.021]	+/-	REF.
C1	54.67 [2.152]	+/-	REF.
D	77.14 [3.037]	+/-	REF.
D1	80.33 [3.163]	+/-	REF.

IMPEDANCE ( Z )			
Frequency	25 MHz	100 MHz	300 MHz
Nominal (REF)	187 Ω	425 Ω	533 Ω
Minimum	- Ω	340 Ω	- Ω

Z vs. FREQUENCY  
(REF. ONLY)



AGILENT E4991A Impedance/Material Analyzer  
HP 16092A-Test Fixture. TEST REF. 5108

NOTES: UNLESS OTHERWISE SPECIFIED

1. CASE MATERIAL: Technyl B 50H1

DIMENSIONS ARE IN mm [INCHES].				This print is the property of Laird Tech. and is loaned in confidence subject to return upon request and with the understanding that no copies shall be made without the written consent of Laird Tech. All rights to design or invention are reserved.			
PROJECT/PART NUMBER: 28A2827-0A2							
DATE: 03/04/13				SCALE: N.T.S.	MATERIAL: Ferrite		
A	ORIGINAL DRAFT	03/04/13	QIU	CAD #	28A2827-0A2-A		
REV	DESCRIPTION	DATE	INT	TOOL #	-		