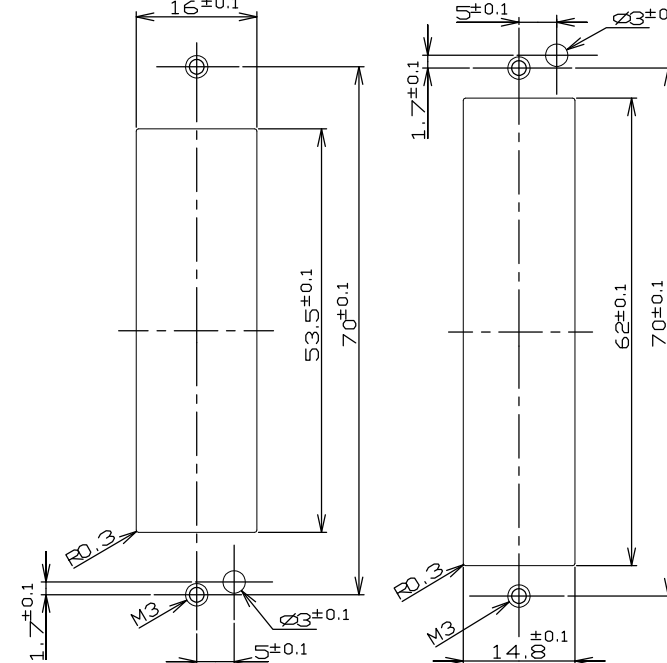
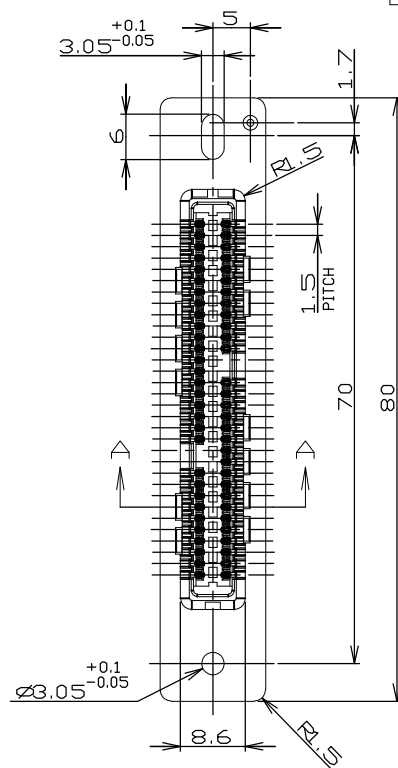
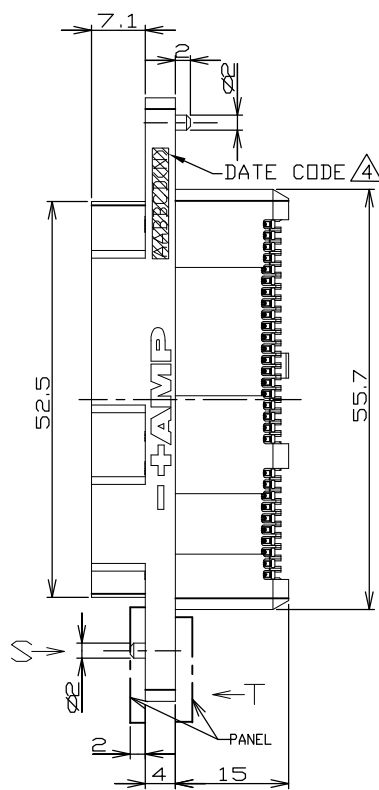
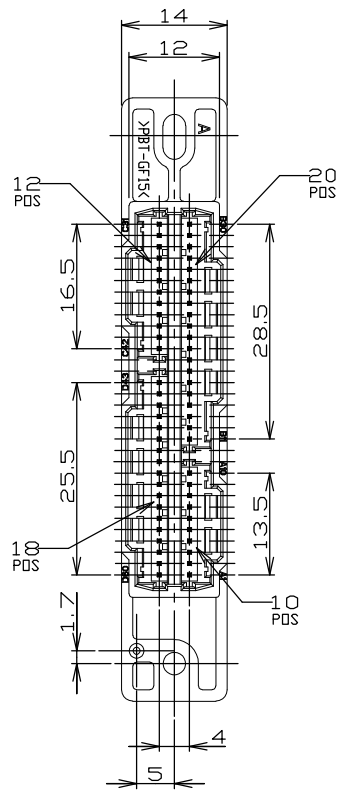


P	LTR	DESCRIPTION	DATE	DWN	APVD
	B1	REVISED ECR-07-028230	26NOV07	A.L	S.Y



VIEW S PANEL CUT DIMENSIONS (CONNECTOR MATING SIDE) VIEW T

NOTES:

- ① USE WITH: MT REC CONN X-353293-X
- CRIMP HSG X-353908-X
- CRIMP CONT 353907-1
- 353918-1(L/P)

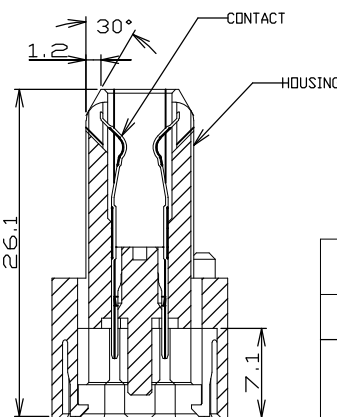
▲ MATERIAL:  
HOUSING: PBT G.F. UL94V-0 COLOR: BLACK  
CONTACT: PHOS-BRONZE

▲ FINISH:  
DRAWER MATING AREA: GOLD OVER NICKEL UNDERPLATE.  
MINI CT MATING AREA: MATTE TIN OVER NICKEL UNDERPLATE.

▲ LOCATION OF DATE CODE: AABBCD(N)  
(AA: YEAR, BB: WEEK, C: DAY OF WEEK, D: DAYTIME, N: NIGHT)

TOLERANCES UNLESS OTHERWISE SPECIFIED:

- 10> : ±0.2
- 30> \* >10 : ±0.25
- 100> \* >30 : ±0.3
- ANGLE : ±3°



SECT A-A

6-292235-0 AS SHOWN

THIS DRAWING IS A CONTROLLED DOCUMENT FOR TYCO ELECTRONICS CORPORATION IT IS SUBJECT TO CHANGE AND THE CONTROL-LINE ENGINEERING ORGANIZATION SHOULD BE CONTACTED FOR THE LATEST REVISION

DIMENSIONS	TOLERANCES UNLESS OTHERWISE SPECIFIED
M/M	
0 PLC	±
1 PLC	±0.1
2 PLC	±0.01
3 PLC	±0.001
4 PLC	±0.0001
ANGLES	±
MATERIAL	SEE NOTE
FINISH	SEE NOTE

DWN	S.XU	31JAN03
CHK	S.YAO	31JAN03
APVD	T.SASAKI	31JAN03
PRODUCT SPEC		
APPLICATION SPEC		
WEIGHT	15.0g	
CUSTOMER DRAWING		

WIRE RANGE	INSULATION DIA		
Tyco Electronics Corporation Shanghai, PRC			
NAME REC ASS'Y for DC TYPE 60 POS. 1.5mm PITCH MINI CT DRAWER CONNECTOR			
SIZE	CAGE CODE	DRAWING NO	RESTRICTED TO
A3	00779	C= 292235	
SCALE	NON	SHEET 1 OF 1	REV B1