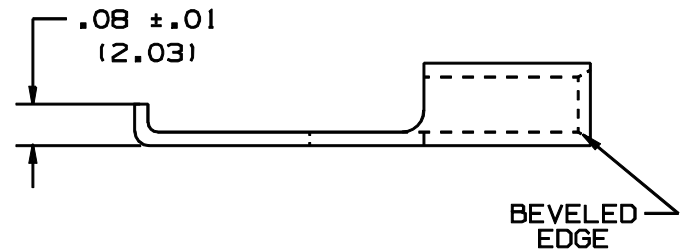
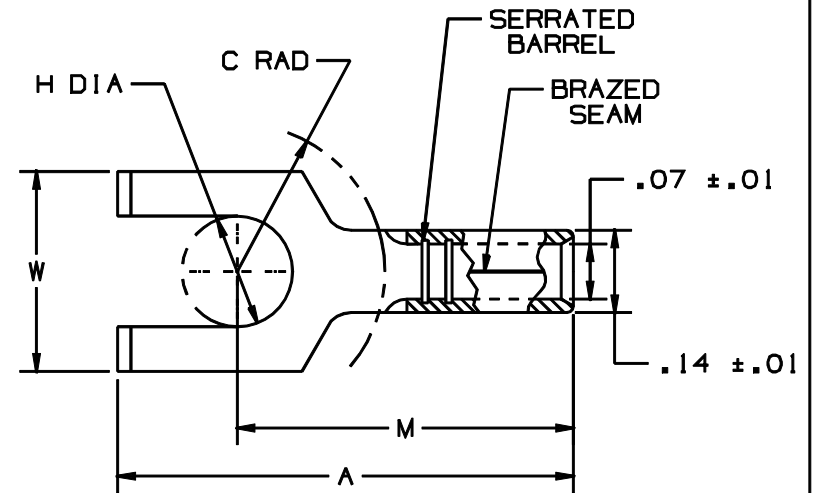


THIS COPY IS PROVIDED ON A RESTRICTED BASIS AND IS NOT TO BE USED IN ANY WAY DETRIMENTAL TO THE INTERESTS OF PANDUIT CORP.

PANDUIT PART NUMBER	STUD SIZE	DIMENSIONS in.				
		A $\pm .02$	W $\pm .01$	C $\pm .02$	M $\pm .02$	H $\pm .01$
P18-8FF	#8	.72 (18.29)	.31 (7.87)	.25 (6.35)	.52 (13.21)	.17 (4.32)

NOTES:

- UL LISTED AND CSA CERTIFIED FOR:
 - #22-16 AWG SOLID OR STRANDED COPPER WIRE
 - 302° F (150° C) MAX. TEMP. RATING
- MATERIAL:
 - STAMPING - .03" (.76) THK COPPER, TIN PLATED
- PACKAGE QTY: STD. PKG. C=100
BULK PKG. M=1000
- DIMENSIONS IN BRACKETS ARE IN MILLIMETERS
- INSTALLATION TOOLS:
 - UL LISTED AND CSA CERTIFIED: CT-100, CT-200, CT-570, CT-1570
 - PANDUIT APPROVED: CT-160, CT-260
- WIRE STRIP LENGTH: $9/32^{+1/32}_{-0}$ (7.1 $\pm .8$)



LISTED
587H
E52164



CERTIFIED
LR31212

A41236_05

05	1/01	KMD		CAD FILE SPEC. WAS N41236AA_PCD_04				<p>TINLEY PARK, ILLINOIS</p> <p>#22-18 BARREL NON-INSULATED FLANGED FORK</p>			
04	5/99	JKD		ADDED CT-1570 TOOL	07632						
03	5/95	MS	RLS	UPDATED NOTES AND DIMENSIONS	03332	LCA	KS				
02	7/88	DW		REDRAWN WITH REVISIONS			JB				
REV	DATE	BY	CHK	DESCRIPTION	ECN #	CUST	PM	DRAWN BY DAW	CHK'D RLS	SCALE NONE	DRAWING NO. A41236