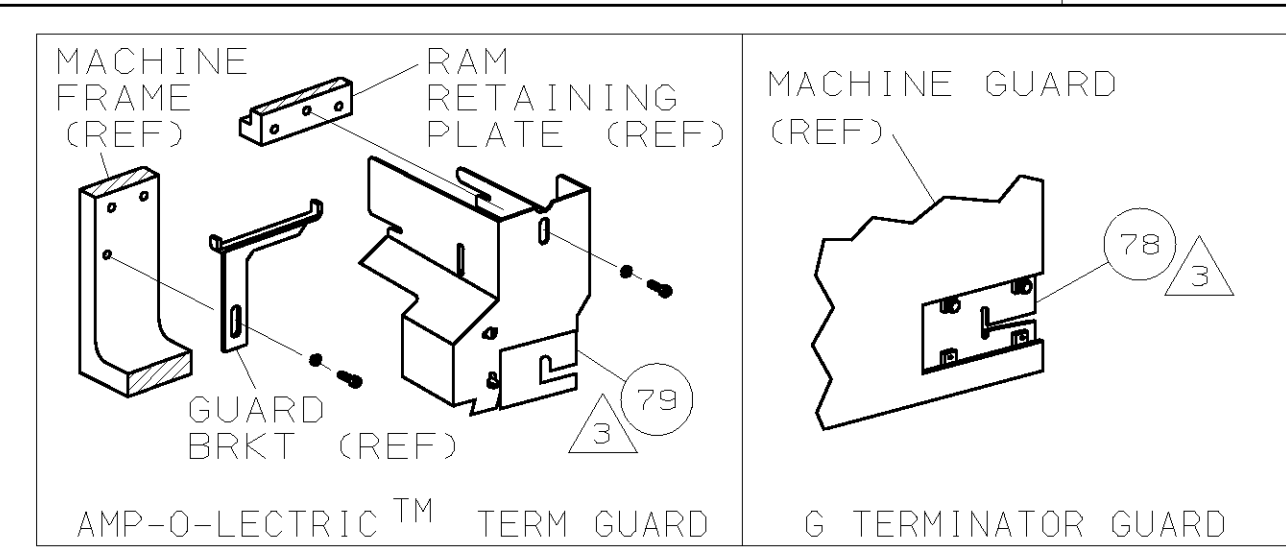
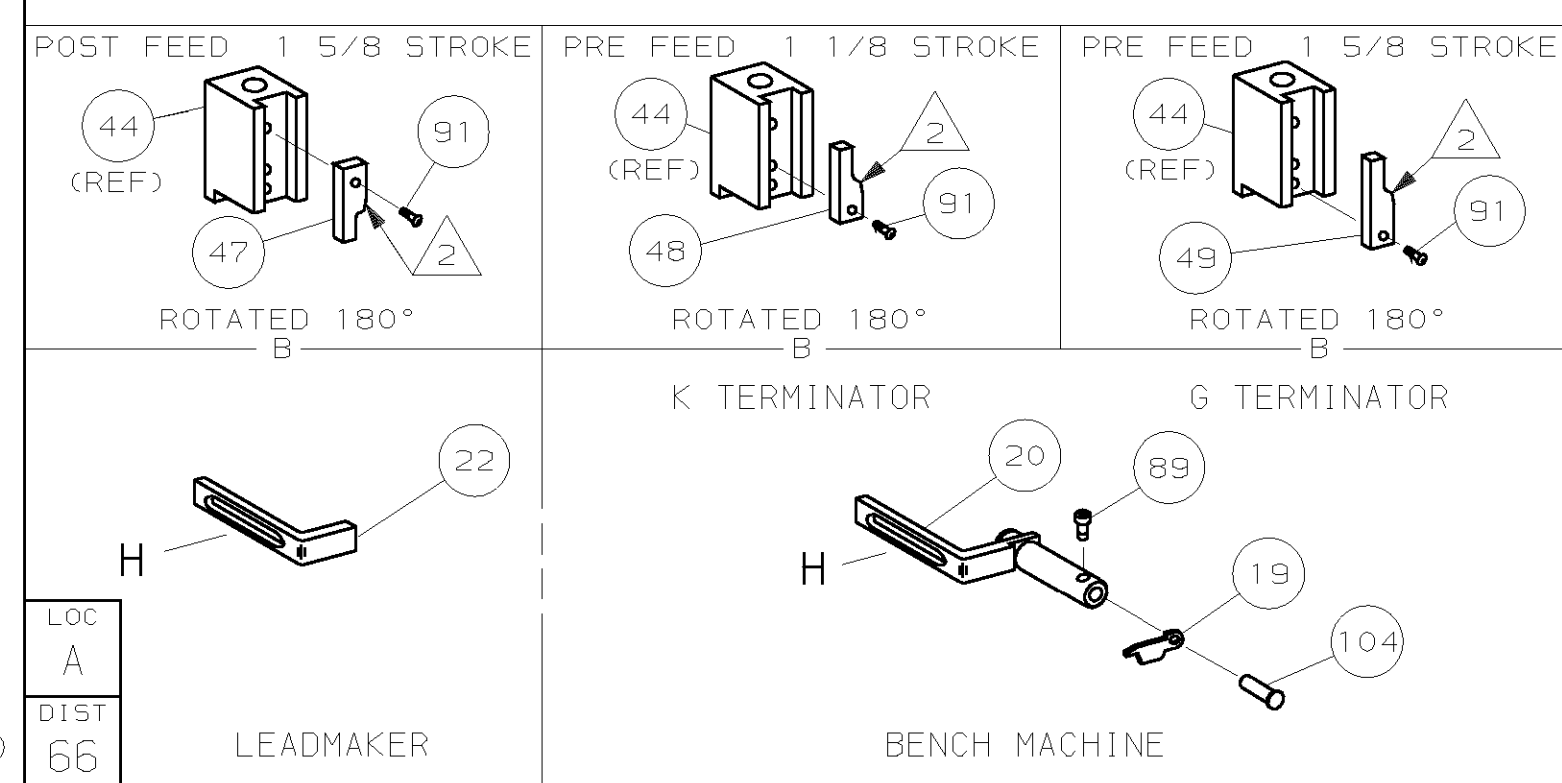
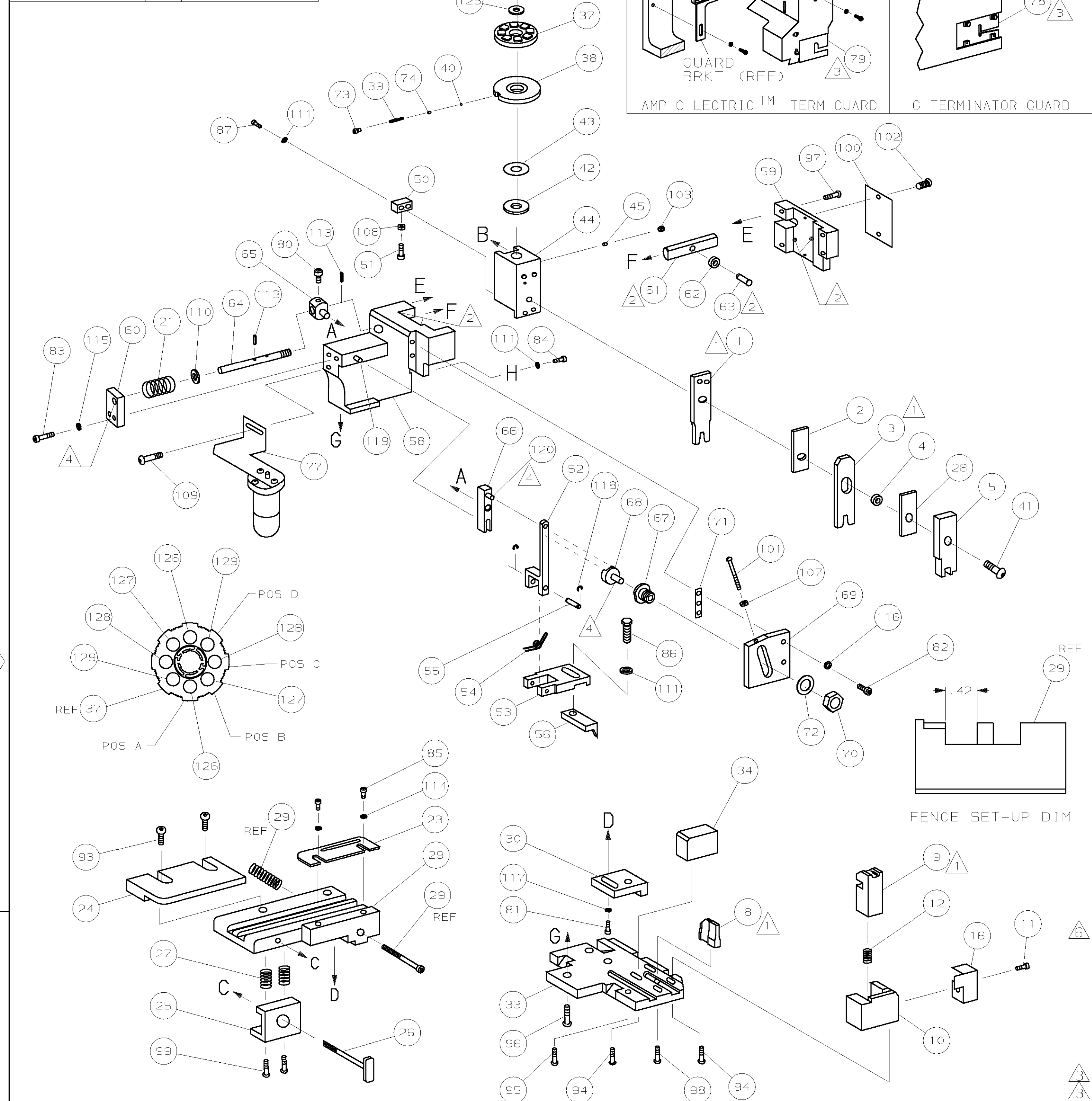


PART NUMBER	REV	FIRST USED
1385205-1	A	122500-1
1385205-2	A	565435-5
1385205-3	A	354500-1



TERMINAL NAME: TERMINAL		TOKAI RIKI TERMINAL AMP CRIMP SPECS	
AMP PN	MFR PN	CRIMP HEIGHT	WIRE SIZE
286902-1	4R1191-0003	A .050 ±.002	16
		B .043 ±.002	18
		C .038 ±.002	20
		D .035 ±.002	22
		CRIMP SIZE	TYPE RANGE
		WIRE .090	F 22-16
		INSUL .130	F .220 MAX

REV	BY	CHK	APP	DATE	DESCRIPTION	ITEM NO
-1					LEADMAKER	
-2					BENCH MODEL K	
-3					BENCH MODEL G	
REF	REF	REF	-	B	22594-8	NUT, HEX (1/2-20)
REF	REF	REF	-	B	240628-1	PLATE, ADJUSTMENT
REF	REF	REF	-	B	240626-1	SHAFT, PIVOT
REF	REF	REF	-	B	240633-1	BUSHING
REF	REF	REF	-	A	455680-1	LEVER, INTERMEDIATE
REF	REF	REF	-	B	240629-1	BLOCK, PIVOT
REF	REF	REF	-	A	240632-2	SCREW, ADJ FEED ROD
REF	REF	REF	-	B	240659-3	PIN, CAM ROLLER
REF	REF	REF	-	B	240658-1	ROLLER, CAM
REF	REF	REF	-	B	454398-2	ROD, FEED
REF	REF	REF	-	A	454178-1	GUIDE, FEED ROD
REF	REF	REF	-	C	454220-1	CAP, RAM
REF	REF	REF	-	D	454485-1	HOUSING
1	1	1	-	B	690542-2	PAWL, FEED
REF	REF	REF	-	B	240624-1	PIN, FEED FINGER
REF	REF	REF	-	B	691499-1	SPRING, FEED FINGER
REF	REF	REF	-	B	690541-1	HOLDER, FEED FINGER
REF	REF	REF	-	A	455679-1	LEVER, TERMINAL FEED ARM
1	1	1	-	A	811242-2	BUMPER, HOLDDOWN
1	1	1	-	A	690753-1	SPACER, TONKER
1	-	-	-	B	690602-6	CAM, PRE-FEED 1 5/8 ST
-	1	-	-	B	690602-5	CAM, PRE-FEED 1 1/8 ST
-	-	1	-	B	690501-4	CAM, POST-FEED 1 5/8 ST
1	1	1	-	B	459456-1	APPLICATOR, BASIC (SUBASSY)
1	1	1	-	A	690191-1	PLUG, NYLON
1	1	1	-	C	455673-1	RAM
1	1	1	-	A	690125-1	WASHER, LAMINATED
1	1	1	-	A	690124-1	WASHER, RAM
1	1	1	-	A	7-21002-9	BOLT, CRIMPER (5/16x1.00)
1	1	1	-	A	23241-6	BALL, STEEL
1	1	1	-	A	690170-1	SPRING, COMPRESSION
1	1	1	-	C	1-690142-0	DISC, INSULATION
1	1	1	-	D	354777-1	WIRE DISC, PLASTIC
1	1	1	-	A	22480-5	WASHER, SPRING
1	1	1	-	B	690212-1	POST, RAM
1	1	1	-	B	690786-1	SUPPORT, TERMINAL
REF	REF	REF	-	D	455675-1	PLATE, BASE
						32
						31
REF	REF	REF	-	B	455689-1	BLOCK, STRIP GUIDE ADJ
1	1	1	-	C	318042-1	STRIP GUIDE PLATE ASSY
1	1	1	-	C	1-455888-9	SPACER, FRONT SHEAR DEP
2	2	2	-	A	1-22284-0	SPRING, DRAG
1	1	1	-	B	690546-1	LEVER, DRAG RELEASE
1	1	1	-	B	240792-1	DRAG, TERMINAL
1	1	1	-	D	6-690504-1	GUIDE, STRIP (REAR)
1	1	1	-	A	690438-1	GUIDE, STRIP (FRONT)
-	-	1	-	B	690472-2	STRIPPER
REF	REF	REF	-	A	4-22284-9	SPRING, FEED RETURN
1	1	-	-	A	679218-1	STRIPPER WIRE STOP ASSY
1	1	-	-	B	458949-1	STRIPPER
						18
						17
1	1	1	-	B	318563-1	GUARD, CHIP, FRONT
						15
						14
						13
1	1	1	-	A	5-22280-0	SPRING, SHEAR
1	1	1	-	B	690461-1	STOP, SHEAR
1	1	1	-	C	690459-1	HOLDER, SHEAR (FRONT)
1	1	1	-	C	454276-1	SHEAR, FLOAT (FRONT)
1	1	1	-	C	3-805887-4	ANVIL
						7
						6
1	1	1	-	C	1-455889-4	DEPRESSOR, SHEAR (FRONT)
1	1	1	-	B	1-238011-0	SPACER, BLOCK CRIMPER
1	1	1	-	C	1-456134-0	CRIMPER, INSULATION
1	1	1	-	C	455888-8	SPACER, CRIMPER
1	1	1	-	C	1-456406-2	CRIMPER, WIRE
						1
-3	-2	-1	U/M	DWG SIZE	PART NO	DESCRIPTION
QTY RECD PER ASSY						
PARTS LIST						



- ① RECOMMENDED SPARE PARTS.
- ② GREASE LIGHTLY.
- ③ GUARD MUST BE IN PLACE WHEN OPERATING APPLICATOR IN A BENCH MACHINE.
- ④ LUBRICATE DAILY USING NO. 20 MACHINE OIL.
- ⑤ ITEMS WITH QTY OF REF SPECIFIED (EXCEPT ITEMS 78 AND 79) ARE USED ON ITEM 46.
- ⑥ CUT TO LENGTH AT ASSY