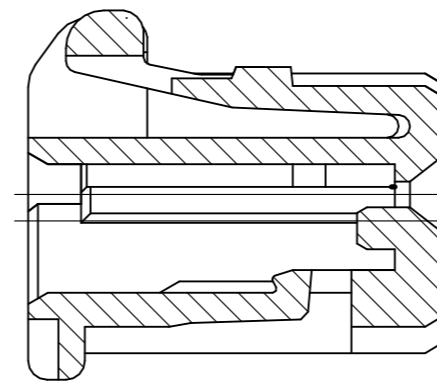
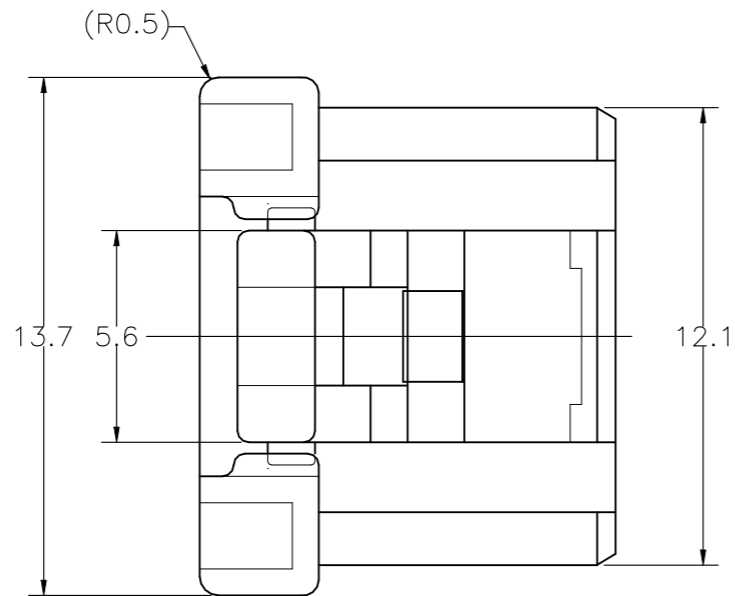
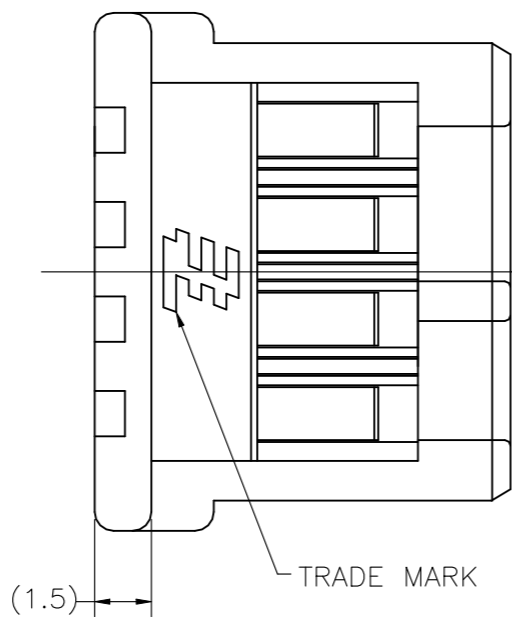
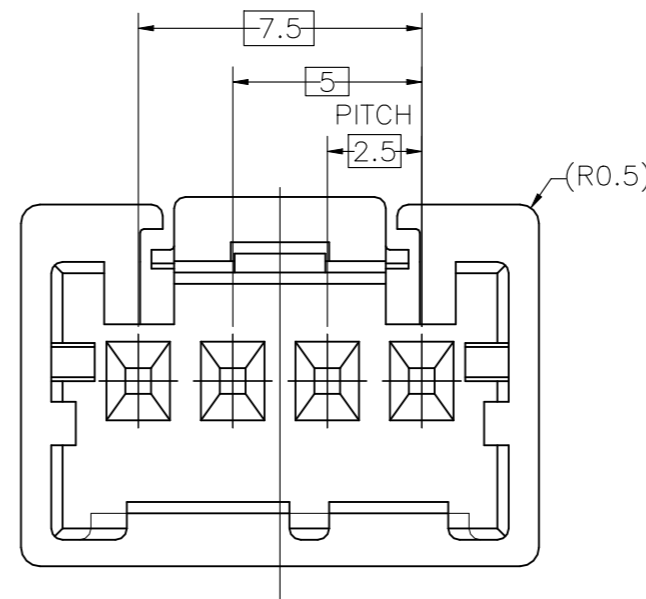
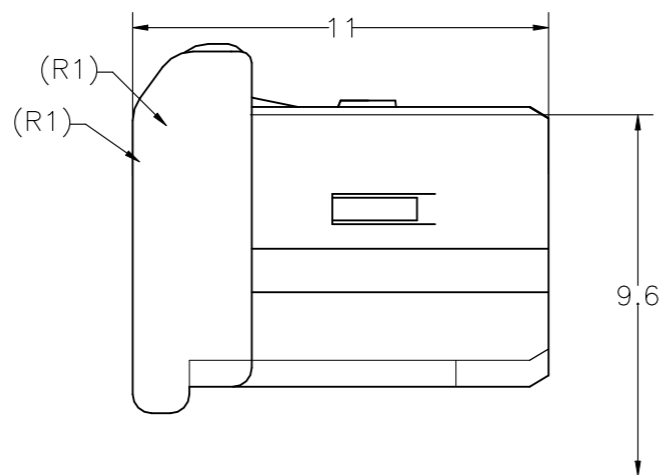
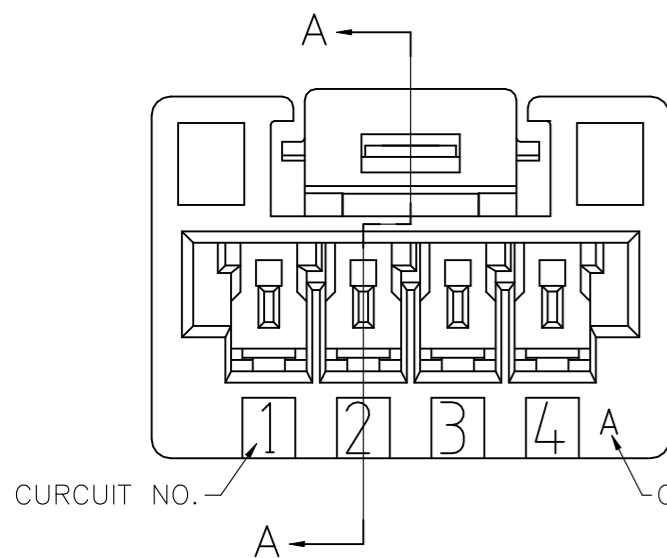
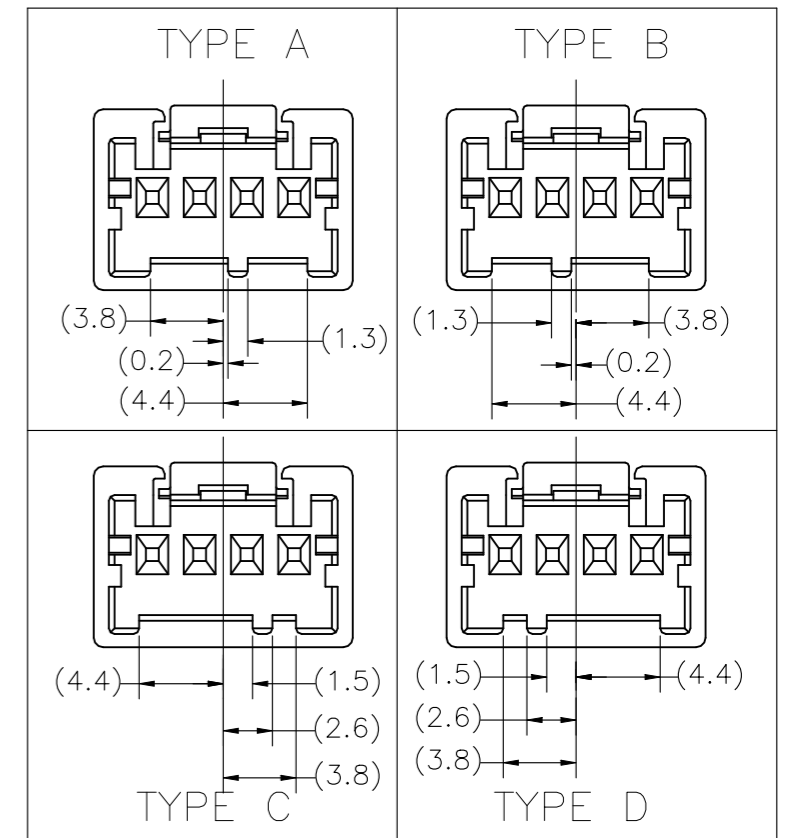


| REVISIONS 変更 | | | | | |
|-----------------|-----|---------------------------|------------|-----|------|
| P | LTR | DESCRIPTION | DATE | DWN | APVD |
| | C | REVISED PER ECR-22-153759 | 17JULY2023 | MV | DZ |



断面 A-A
SECT A-A

TYPE OF KEYING



| | | | |
|---------------------------|---------------------------|----------------|-------------------|
| 3-1903393-4 | TYPE D | YELLOW 黄色 | 3-1903390-4 |
| 2-1903393-3 | TYPE C | BLUE 青色 | 2-1903390-3 |
| 1-1903393-2 | TYPE B | RED 赤色 | 1-1903390-2 |
| 1903393-1 | TYPE A | NATURAL 自然色 | 1903390-1 |
| かん合相手型番 MATING HSG P/N | キーイング形状 TYPE OF KEYING | 色調 COLOR | 型番 PART NUMBER |

注記
 1. 一般公差: ±0.3
 △ 材料PBTガラス強化 (UL94V-0)
 △ かん合相手製品型番
 キャップハウジング: TABLE参照のこと
 リセコンタクト: 917683, 917684

NOTE
 1. GENERAL TOLERANCE: ±0.3
 △ MATERIAL: PBT GLASS FILLED (UL94V-0)
 △ MATING CONN. P/N
 CAP HOUSING: SEE TABLE
 REC CONTACT: 917683, 917684

| | | | | |
|---|--|-----------------------------------|--|-----------------|
| THIS DRAWING IS A CONTROLLED DOCUMENT. | | DWN J.SATO 01NOV05 | TE Connectivity | |
| DIMENSIONS: 単位: 耗 mm | | CHK T.HATANO 01NOV05 | | |
| TOLERANCES UNLESS OTHERWISE SPECIFIED: 一般公差 | | APVD N.YAMASAKI 01NOV05 | NAME 名称 | |
| 0 PLC ± 1 PLC ± 2 PLC ± 3 PLC ± 4 PLC ± ANGLES ± | | PRODUCT SPEC 製品規格 108-78350 | GRACE INERTIA CONNECTOR 2.5 W PLUG HOUSING 4P | |
| MATERIAL 材料 SEE NOTE 2 | | FINISH 仕上 | APPLICATION SPEC 取付適用規格 | RESTRICTED TO |
| | | WEIGHT 0.000000 | SIZE A3 | REVISIONS |
| | | | CAGE CODE 00779 | SCALE 尺度 5:1 |
| | | | DRAWING NO 番号 C-1903390 | SHEET 1 OF 1 |
| | | | CUSTOMER DRAWING | REV C |