

Technical specification:

Rated voltage: 8pos
IEC 61076-2-109 48 V

Current rating: 8pos
IEC 61076-2-109 0,5 A at 40°C

Transfer properties: CAT 6A / 10 GBit/s
IEC 61076-2-109

Insulation resistance: >=100 MΩ
IEC 60512

Pollution degree: 3
IEC 60664-1

Degree of protection: IP 67, in mated condition
IEC 60529

Temperature range: -25°C ... +95°C
EN 60512-11-10
-40°C ... +85°C
EN 60512-11-4

Mating cycles: >=100
IEC 60512-9a

Total spring force: max 10N

Materials:

Contact: CuZn, Ni b / Au 0,2 gal.

Contact carrier: LCP GF, UL 94 V-0

Shielding cross: CuSn, Ni / sel. Sn

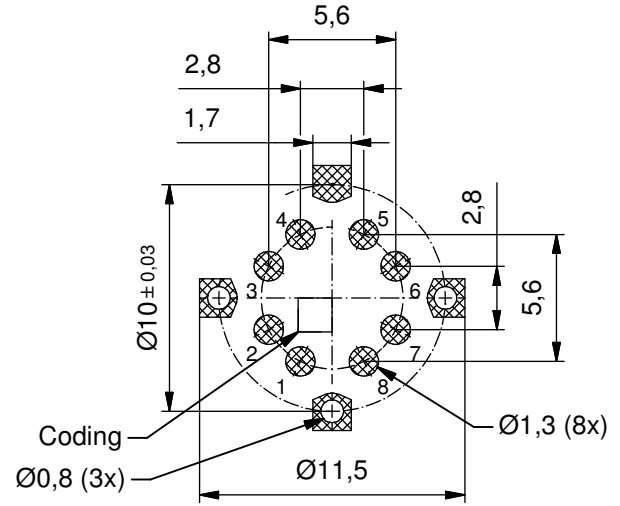
Socket housing: CuZn, Ni

Sealing: FPM

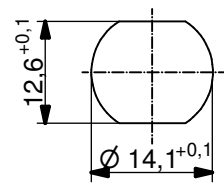
Coplanarity of all contacts max 0,1mm

Suitable for reflow soldering max. 60s / 250°C

PCB layout proposal

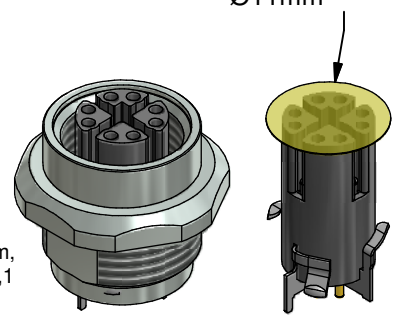


Cut-Out Front Panel



Minimum wall thickness 1,5mm, alternativ panel cut-out d=14,1

Tape & Reel - parts with adhesive pad Ø11mm



| Part no. packing unit Tape & Reel: | Part no. packing unit in bulk: | Description: | Pos |
|------------------------------------|--------------------------------|----------------------------|-----|
| 43-02757TR | 43-02757 | SAL - 12X - FK8 - X9 / SMT | 8 |

| | | | | | |
|--|------------------------|---------------|----------------|---|-----------------------------|
| DO NOT ALTER CAD DRAWING BY HAND | RoHS & REACH compliant | dim. in mm | | title: Female socket M12x1 SMT, X-Cod., frontmounting, X9 | |
| | | date | name | | |
| | | drawn | 17.03.16 | Brüntrup | dwg no: 43K1A2866 |
| | | appd. | 17.03.16 | Willer | |
| general tolerance: | | 0 ± 0,50mm | CONEC ® | part no: see table | |
| | | 0,0 ± 0,25mm | | | |
| | | 0,00 ± 0,10mm | | | |
| | | * ± 1,5° | | | |
| THIS DRAWING MAY NOT BE COPIED OR REPRODUCED IN ANY WAY, AND MAY NOT BE PASSED ON TO A THIRD PARTY WITHOUT WRITTEN PERMISSION. OWNERSHIP AND COPYRIGHT OF CONEC GmbH | | | | | |