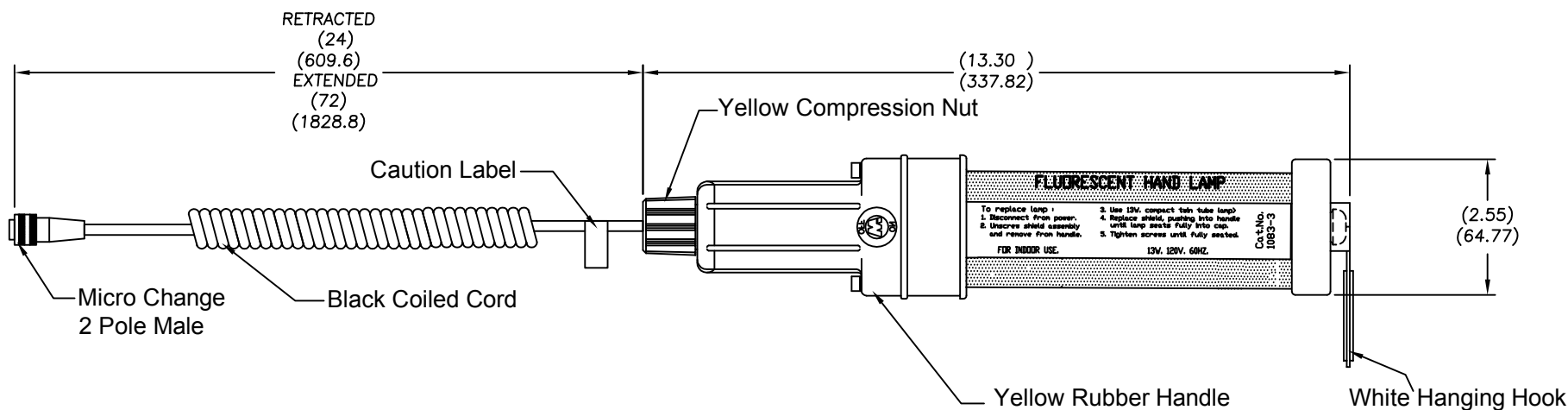


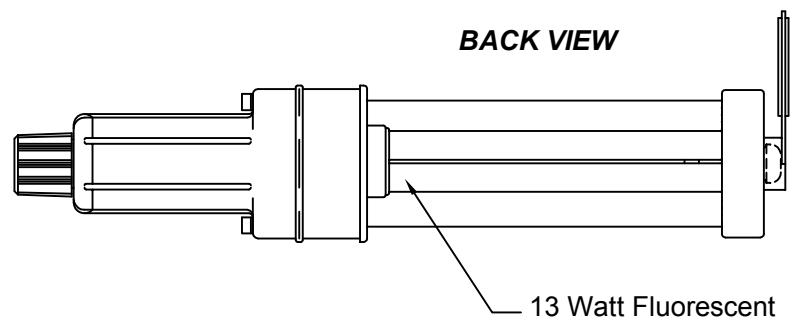
6 5 4 3 2 1

E



D

C



B

A

ADD MOLEX BORDER EC NO: WNA2010-0074 DRWN: TVICKERS 7/30/09 CHKD: HK APPR: DTTILUS 2009/08/05 REV: A	DESCRIPTION QUALITY SYMBOLS ▽=0 ▽C=0	GENERAL TOLERANCES (UNLESS SPECIFIED)		DIMENSION STYLE IN/MM		SCALE NTS	DESIGN UNITS INCH	THIRD ANGLE PROJECTION	
			mm	INCH	DRAWN BY TV	DATE 2009/07/30	TITLE 12V FLUORESCENT HANDLAMP REPLACEMENT FOR 1083-3B		
		4 PLACES	±----	±----	CHECKED BY HK	DATE 2009/07/30			
		3 PLACES	±----	±.020	APPROVED BY DT	DATE 2009/07/30	MOLEX INCORPORATED		
		2 PLACES	±----	±.010	MATERIAL NO. 1301080110	DOCUMENT NO. SD-130108-003			
1 PLACE	±----	±.005	ANGULAR ±.5°		THIS DRAWING CONTAINS INFORMATION THAT IS PROPRIETARY TO MOLEX INCORPORATED AND SHOULD NOT BE USED WITHOUT WRITTEN PERMISSION				
DRAFT WHERE APPLICABLE MUST REMAIN WITHIN DIMENSIONS									

6 5 4 3 2 1