

Product Specification



Patch Antenna

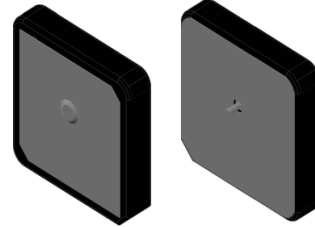
JTT1575S20P4A

Feature

High gain , Compact

Pin type

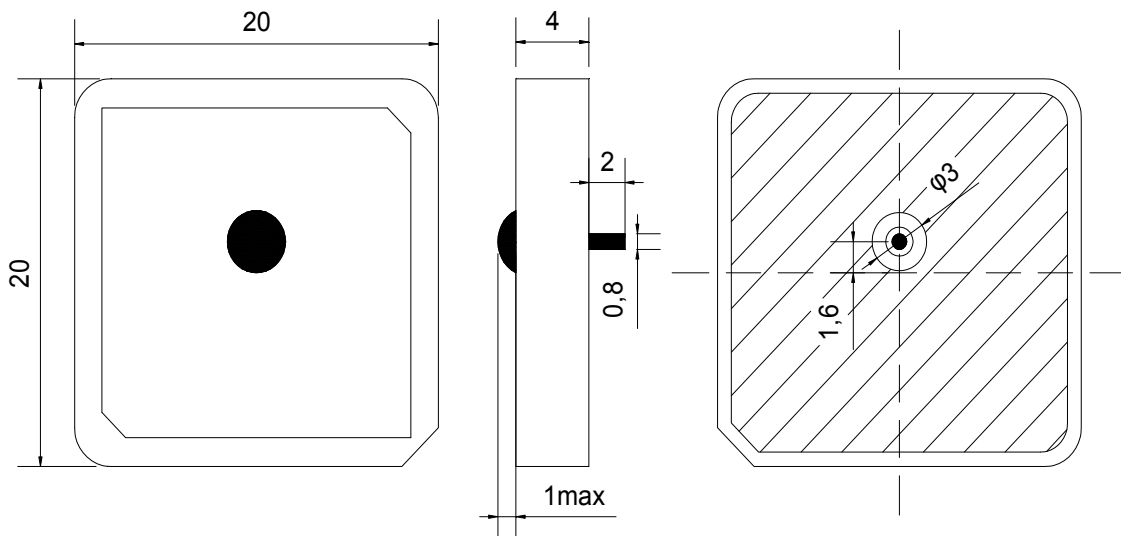
Customization available



Electrical Specification

1 Center Frequency	1575.42 ± 3.0 MHz
2 Return Loss @ F0	≥15 dB
3 VSWR @ F0	
4 Bandwidth @ 10dB Return loss	≥7 MHz
5 Polarization	RHCP
6 Gain @ Zenith	2.0 dBi typ.
7 Gain @ 10° elevation	
8 Axial Ratio @ F0	≤4.0 dB
9 Ground plane	20 x 20 mm
10 Impedance	50 Ω
11 Frequency Temperature Coefficient	±20 ppm/°C
12 Operation Temperature Range	-40 ~ +85°C

Mechanical Drawing



Tolerance Unless Otherwise Specified:±0.30
Unit: mm