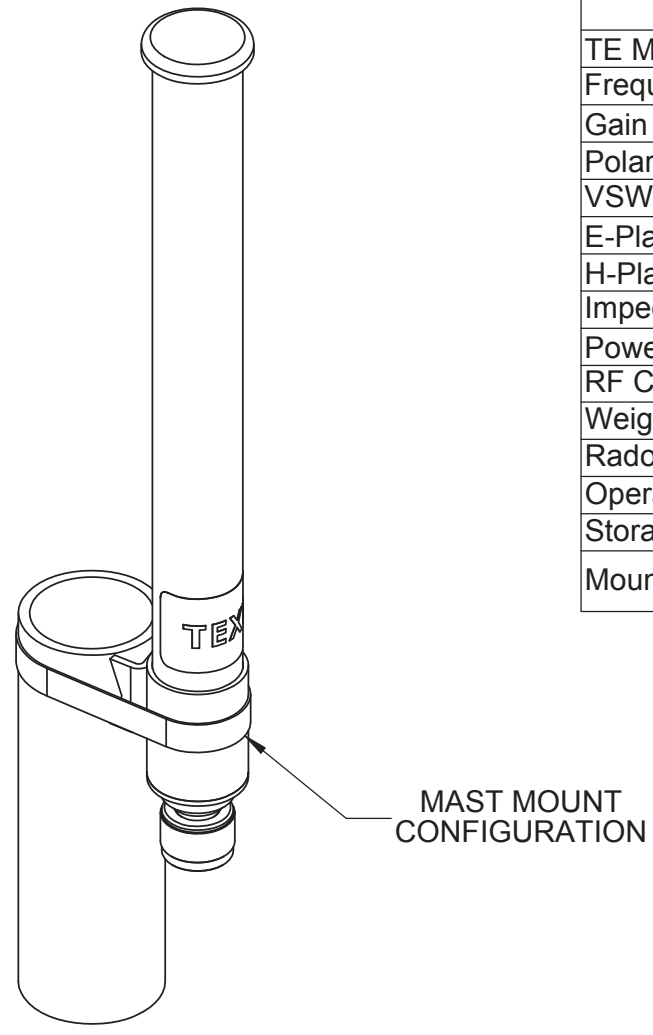
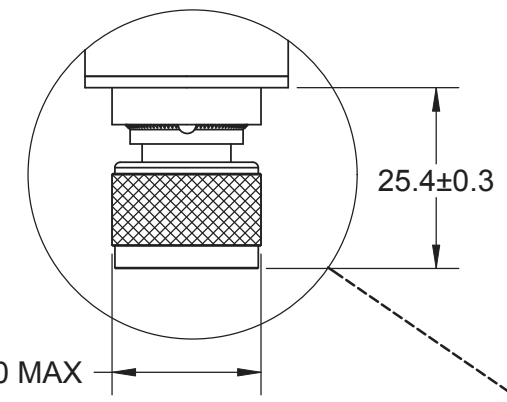
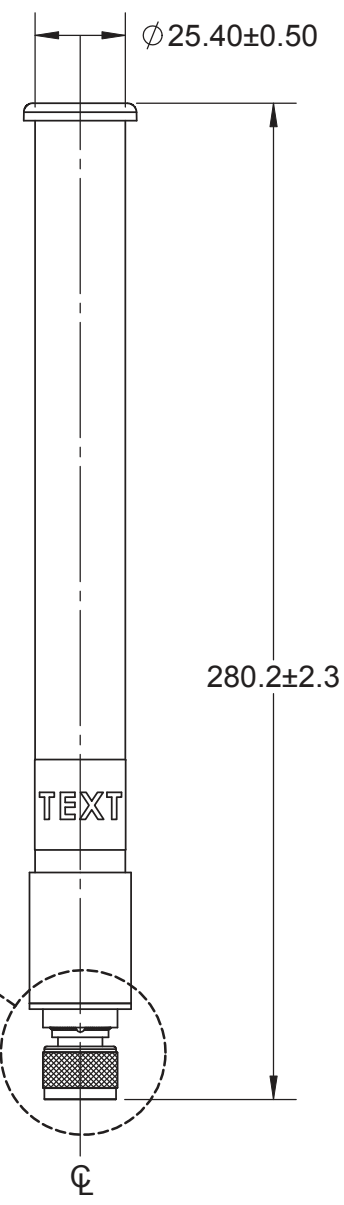
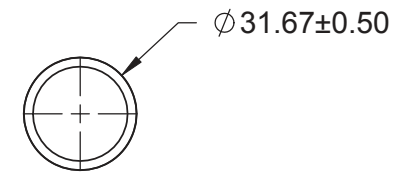


REVISIONS					
REV.	ECR#	ZONE	DESCRIPTION	CHANGED BY/DATE	APPROVED BY/DATE
AA			INITIAL RELEASE	K.S. 04-29-11	K.S. 04-29-11



Parameter	Performance
TE Model Number	OC24527-FNM
Frequency	2400-2500MHz / 5150-5875MHz
Gain	4.5dBi / 8dBi
Polarization	Linear, Vertical
VSWR	2.0:1, Typical
E-Plane 3dB Beamwidth	25° / 14°
H-Plane 3dB Beamwidth	Omnidirectional
Impedence	50 Ohms
Power	10 Watts
RF Connector	Type N, Male, Fixed, Tri-Metal
Weight	0.15 kg W/out Hardware Kit
Radome	Polycarbonate, UV, White
Operational Temperature	-30°C to +70°C
Storage Temperature	-40°C to +85°C
Mounting	Connector Fixed or Mast Mount Kit, Upright and Inverted Orientation

MATERIAL: N/A		THIRD ANGLE PROJECTION			
FINISH: N/A					
APPROVALS		DATE		TITLE: OC24527-FNM	
DRAWN BY	K. SEARL	09-24-10		INTERPRET DIMENSIONING AND TOLERANCING IN ACCORDANCE WITH ASME Y14.5M-2009	
PROJ. ENG.				TOLERANCES UNLESS OTHERWISE SPECIFIED	
APPL. MECH.				DIMENSIONS ARE IN MILLIMETERS	
MFG.				ANGLE: ±30° 0 PLACE DECIMAL: ±0.5 1 PLACE DECIMAL: ±0.25 2 PLACE DECIMAL: ±0.13 SURFACE ROUGHNESS $\sqrt{1.6}$	
THIS DRAWING IS UNPUBLISHED.		RELEASED FOR PUBLICATION -,-		SIZE A3	DWG. NO. OC24527-FNMMO
© Copyright 2022 TE Connectivity Ltd.		ALL RIGHTS RESERVED.		SCALE: 1:2	PREVIOUS#
				REV AA	
				SHEET 1 OF 1	

THIS DRAWING IS UNPUBLISHED. RELEASED FOR PUBLICATION -,-
© Copyright 2022 TE Connectivity Ltd. ALL RIGHTS RESERVED.