

NOTES:

1. MATERIALS:
HOUSING - LIQUID CRYSTAL POLYMER (LCP)
GLASS FILLED, UL94V-0, BLACK
SIGNAL PIN AND SHIELD - COPPER ALLOY
2. FINISHES:
CONTACT AREA - SELECTIVE GOLD (Au)
PCB TAILS - SELECTIVE MATTE TIN (Sn)
3. THIS PART CONFORMS TO MOLEX PRODUCT SPECIFICATION PS-74031-999.
4. FOR MIXED CONTACT LENGTH CONTACT MOLEX FOR AVAILABILITY.
5. FOR SPECIFIC MATERIAL NUMBERS AND MATING INFORMATION REFER TO SHEET 2.
6. PACKAGE PER PK-74058-003.
7. ASSEMBLY WILL BE MARKED WITH P/N AND DATE CODE WITH LASER MARK ON SIDE OF HOUSING
8. MAPS (MOLEX ADVANCED PLATING SYSTEM).

THE PRIMARY CARTON WITH A LABEL STATING "ELV AND RoHS COMPLAINT" IS LEAD FREE. CARTONS WITHOUT THIS LABEL MAY CONTAIN LEAD.

LEAD FREE CONVERSION EC NO: UCP2013-0687 DRAWINGS: 2012/08/22 CHKD:HWOLF 2012/11/26 APPR:SMILLER 2012/12/14 (REV)	QUALITY SYMBOLS 	GENERAL TOLERANCES (UNLESS SPECIFIED) <table border="1"> <thead> <tr> <th></th> <th>mm</th> <th>INCH</th> </tr> </thead> <tbody> <tr> <td>4 PLACES</td> <td>± 0.15</td> <td>± 0.006</td> </tr> <tr> <td>3 PLACES</td> <td>± 0.25</td> <td>± 0.010</td> </tr> <tr> <td>2 PLACES</td> <td>± 0.38</td> <td>± 0.015</td> </tr> <tr> <td>1 PLACE</td> <td>± 0.51</td> <td>± 0.020</td> </tr> <tr> <td>0 PLACE</td> <td>± 0.64</td> <td>± 0.025</td> </tr> </tbody> </table>		mm	INCH	4 PLACES	± 0.15	± 0.006	3 PLACES	± 0.25	± 0.010	2 PLACES	± 0.38	± 0.015	1 PLACE	± 0.51	± 0.020	0 PLACE	± 0.64	± 0.025	DIMENSION STYLE MM ONLY DRAWN BY: JJONIAK DATE: 2008/07/09 CHECKED BY: JJONIAK DATE: 2008/07/09 APPROVED BY: SMILLER DATE: 2010/03/09	SCALE: 2:1 DESIGN UNITS: METRIC THIRD ANGLE PROJECTION	TITLE: VHDM H-SERIES 6 ROW BACKPLANE SIGNAL END 	MATERIAL NO. SEE SHT.2	DOCUMENT NO. SD-76761-001	SHEET NO. 1 OF 2
		mm	INCH																							
	4 PLACES	± 0.15	± 0.006																							
	3 PLACES	± 0.25	± 0.010																							
2 PLACES	± 0.38	± 0.015																								
1 PLACE	± 0.51	± 0.020																								
0 PLACE	± 0.64	± 0.025																								
DRAFT WHERE APPLICABLE MUST REMAIN WITHIN DIMENSIONS		SIZE: C		THIS DRAWING CONTAINS INFORMATION THAT IS PROPRIETARY TO MOLEX INCORPORATED AND SHOULD NOT BE USED WITHOUT WRITTEN PERMISSION																						

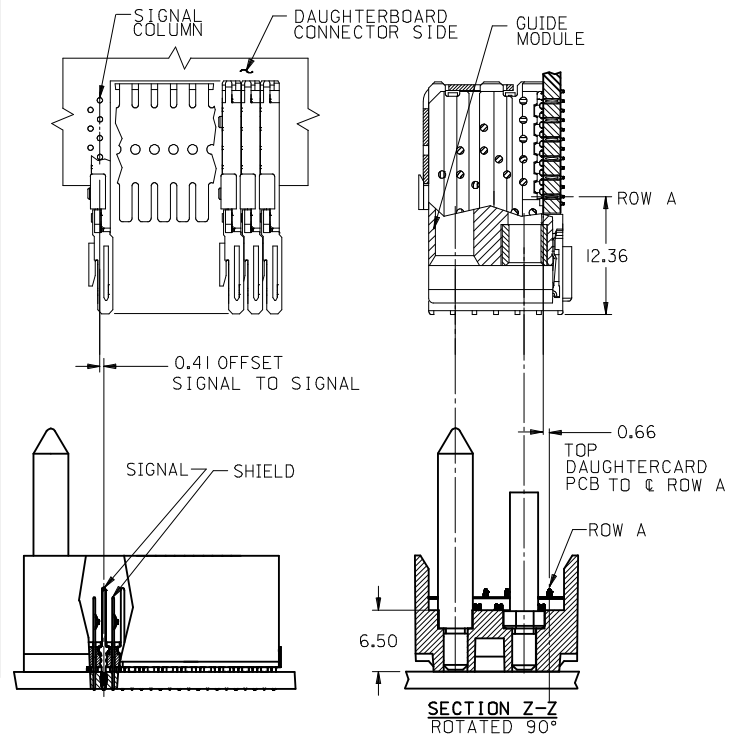
M/N 76761-()	-**0*	-**1*	-**2*	-**3*	-**4*	-**5*	-**6*	-**7*	-**8*
KEYING PIN ORIENTATION	O	A	B	C	D	E	F	G	H

76761 - * * * *

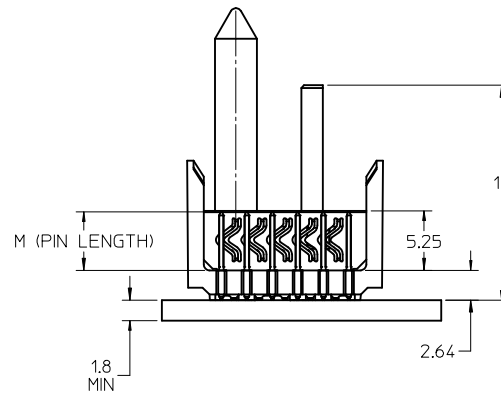
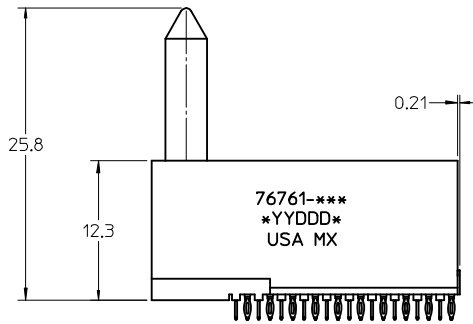
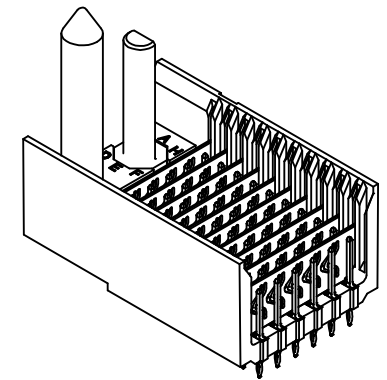
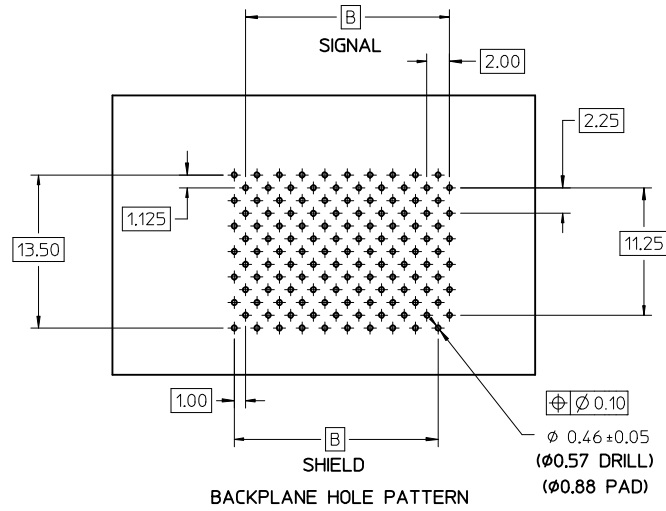
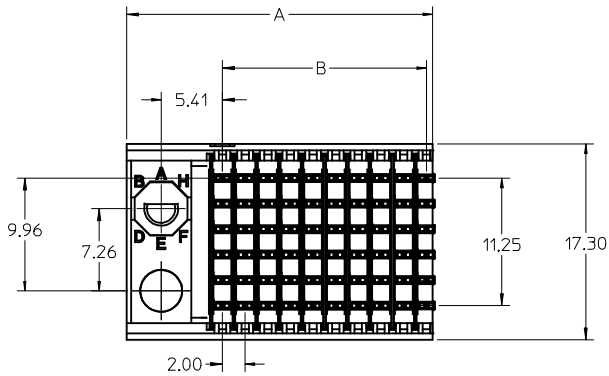
NUMBER OF COLUMNS/PLATING
 10 = 10 COLUMN MATTE TIN (FORMERLY TIN/LEAD)
 25 = 25 COLUMN MATTE TIN (FORMERLY TIN/LEAD)
 60 = 10 COLUMN MATTE TIN (MAPS)
 75 = 25 COLUMN MATTE TIN (MAPS)
 90 = 10 COLUMN MATTE TIN
 85 = 25 COLUMN MATTE TIN

CONTACT LOAD
 (PIN LENGTH)
 1 & 6 = 4.75
 2 & 5 = 6.25
 3 & 4 = 4.25
 8 & 9 = 5.15

PART NUMBER	COLUMN	NUMBER OF SIGNAL PIN	NUMBER OF SHIELD	A	B	M	GOLD THICKNESS MICROMETER	TIN THICKNESS MICROMETER
76761-60*1	10	60	10	27.00	18.00	4.75	0.25 MAPS	0.76-152
76761-*0*1							0.76	
76761-*0*6							1.27	
76761-75*1	25	150	25	57.00	48.00	0.25 MAPS		
76761-*5*1						0.76		
76761-*5*6						1.27		
76761-60*2	10	60	10	27.00	18.00	0.25 MAPS		
76761-*0*2						0.76		
76761-*0*7						1.27		
76761-75*2	25	150	25	57.00	48.00	0.25 MAPS		
76761-*5*2						0.76		
76761-*5*7						1.27		
76761-60*3	10	60	10	27.00	18.00	0.25 MAPS		
76761-*0*3						0.76		
76761-*0*8						1.27		
76761-75*3	25	150	25	57.00	48.00	0.25 MAPS		
76761-*5*3						0.76		
76761-*5*8						1.27		
76761-60*4	10	60	10	27.00	18.00	0.25 MAPS		
76761-*0*4						0.76		
76761-*0*9						1.27		
76761-75*4	25	150	25	57.00	48.00	0.25 MAPS		
76761-*5*4						0.76		
76761-*5*9						1.27		



SEE SHEET 1 EC NO: UCP2013-0687 DRAWINGS 2012/08/22 CHKD:WOLFE 2012/11/26 APPR:SMILLER 2012/12/14 REV DESCRIPTION	QUALITY SYMBOLS	GENERAL TOLERANCES (UNLESS SPECIFIED)	DIMENSION STYLE	SCALE	DESIGN UNITS	THIRD ANGLE PROJECTION
	▽=0	mm INCH	MM ONLY	1:1	METRIC	
	▽=0	4 PLACES ± --- ± ---	DRAWN BY DATE	TITLE		
	▽=0	3 PLACES ± --- ± ---	JJONIAK 2008/07/09	VHDM H-SERIES 6 ROW BACKPLANE SIGNAL END		
	▽=0	2 PLACES ± 0.15 ± ---	CHECKED BY DATE			
	1 PLACE ± 0.25 ± ---	JJONIAK 2008/07/09				
	0 PLACE ± --- ± ---	APPROVED BY DATE	DOCUMENT NO.			
		SMILLER 2010/03/09	SD-76761-001			
		MATERIAL NO.	SHEET NO.			
		SEE TABLE	2 OF 2			
		ANGULAR ±1/2°	THIS DRAWING CONTAINS INFORMATION THAT IS PROPRIETARY TO MOLEX INCORPORATED AND SHOULD NOT BE USED WITHOUT WRITTEN PERMISSION			
		DRAFT WHERE APPLICABLE MUST REMAIN WITHIN DIMENSIONS				



NOTES:

1. MATERIALS:
HOUSING - LIQUID CRYSTAL POLYMER (LCP)
GLASS FILLED, UL94V-0, BLACK
SIGNAL PIN AND SHIELD - COPPER ALLOY
2. FINISHES:
CONTACT AREA - SELECTIVE GOLD (Au)
PCB TAILS - SELECTIVE MATTE TIN (Sn)
3. THIS PART CONFORMS TO MOLEX PRODUCT SPECIFICATION PS-74031-999.
4. FOR MIXED CONTACT LENGTH CONTACT MOLEX FOR AVAILABILITY.
5. FOR SPECIFIC MATERIAL NUMBERS AND MATING INFORMATION REFER TO SHEET 2.
6. PACKAGE PER PK-74058-003.
7. ASSEMBLY WILL BE MARKED WITH P/N AND DATE CODE WITH LASER MARK ON SIDE OF HOUSING
8. MAPS (MOLEX ADVANCED PLATING SYSTEM).

THE PRIMARY CARTON WITH A LABEL STATING "ELV AND RoHS COMPLAINT" IS LEAD FREE. CARTONS WITHOUT THIS LABEL MAY CONTAIN LEAD.

LEAD FREE CONVERSION EC NO: UCP2013-0687 DRAWINGS: 2012/08/22 CHKD:HWOLF 2012/11/26 APPR:SMILLER 2012/12/14 (REV)	QUALITY SYMBOLS 	GENERAL TOLERANCES (UNLESS SPECIFIED) <table border="1"> <thead> <tr> <th></th> <th>mm</th> <th>INCH</th> </tr> </thead> <tbody> <tr> <td>4 PLACES</td> <td>± 0.15</td> <td>± 0.006</td> </tr> <tr> <td>3 PLACES</td> <td>± 0.25</td> <td>± 0.010</td> </tr> <tr> <td>2 PLACES</td> <td>± 0.38</td> <td>± 0.015</td> </tr> <tr> <td>1 PLACE</td> <td>± 0.51</td> <td>± 0.020</td> </tr> <tr> <td>0 PLACE</td> <td>± 0.64</td> <td>± 0.025</td> </tr> </tbody> </table>		mm	INCH	4 PLACES	± 0.15	± 0.006	3 PLACES	± 0.25	± 0.010	2 PLACES	± 0.38	± 0.015	1 PLACE	± 0.51	± 0.020	0 PLACE	± 0.64	± 0.025	DIMENSION STYLE MM ONLY DRAWN BY: JJONIAK DATE: 2008/07/09 CHECKED BY: JJONIAK DATE: 2008/07/09 APPROVED BY: SMILLER DATE: 2010/03/09	SCALE: 2:1 DESIGN UNITS: METRIC THIRD ANGLE PROJECTION	TITLE: VHDM H-SERIES 6 ROW BACKPLANE SIGNAL END molex	MATERIAL NO.: SEE SHT.2 DOCUMENT NO.: SD-76761-001 SHEET NO.: 1 OF 2
		mm	INCH																					
	4 PLACES	± 0.15	± 0.006																					
	3 PLACES	± 0.25	± 0.010																					
2 PLACES	± 0.38	± 0.015																						
1 PLACE	± 0.51	± 0.020																						
0 PLACE	± 0.64	± 0.025																						
DRAFT WHERE APPLICABLE MUST REMAIN WITHIN DIMENSIONS		ANGULAR ±1/2°		THIS DRAWING CONTAINS INFORMATION THAT IS PROPRIETARY TO MOLEX INCORPORATED AND SHOULD NOT BE USED WITHOUT WRITTEN PERMISSION																				

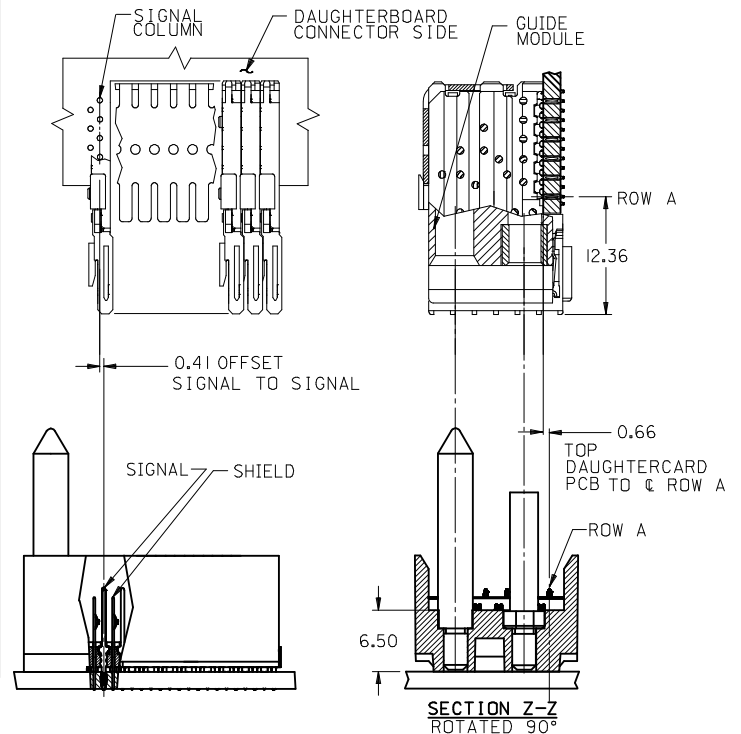
M/N 76761-()	-**0*	-**1*	-**2*	-**3*	-**4*	-**5*	-**6*	-**7*	-**8*
KEYING PIN ORIENTATION	O	A	B	C	D	E	F	G	H

76761 - * * * *

NUMBER OF COLUMNS/PLATING
 10 = 10 COLUMN MATTE TIN (FORMERLY TIN/LEAD)
 25 = 25 COLUMN MATTE TIN (FORMERLY TIN/LEAD)
 60 = 10 COLUMN MATTE TIN (MAPS)
 75 = 25 COLUMN MATTE TIN (MAPS)
 90 = 10 COLUMN MATTE TIN
 85 = 25 COLUMN MATTE TIN

CONTACT LOAD
 (PIN LENGTH)
 1 & 6 = 4.75
 2 & 5 = 6.25
 3 & 4 = 4.25
 8 & 9 = 5.15

PART NUMBER	COLUMN	NUMBER OF SIGNAL PIN	NUMBER OF SHIELD	A	B	M	GOLD THICKNESS MICROMETER	TIN THICKNESS MICROMETER
76761-60*1	10	60	10	27.00	18.00	4.75	0.25 MAPS	0.76-152
76761-*0*1							0.76	
76761-*0*6							1.27	
76761-75*1	25	150	25	57.00	48.00	0.25 MAPS		
76761-*5*1						0.76		
76761-*5*6						1.27		
76761-60*2	10	60	10	27.00	18.00	0.25 MAPS		
76761-*0*2						0.76		
76761-*0*7						1.27		
76761-75*2	25	150	25	57.00	48.00	0.25 MAPS		
76761-*5*2						0.76		
76761-*5*7						1.27		
76761-60*3	10	60	10	27.00	18.00	0.25 MAPS		
76761-*0*3						0.76		
76761-*0*8						1.27		
76761-75*3	25	150	25	57.00	48.00	0.25 MAPS		
76761-*5*3						0.76		
76761-*5*8						1.27		
76761-60*4	10	60	10	27.00	18.00	0.25 MAPS		
76761-*0*4						0.76		
76761-*0*9						1.27		
76761-75*4	25	150	25	57.00	48.00	0.25 MAPS		
76761-*5*4						0.76		
76761-*5*9						1.27		



SEE SHEET 1 EC NO: UCP2013-0687 DRAWINGS: 2012/08/22 CHKD: MWLF 2012/11/26 APPR: SMILLER 2012/12/14 REV:	QUALITY SYMBOLS	GENERAL TOLERANCES (UNLESS SPECIFIED)	DIMENSION STYLE MM ONLY	SCALE 1:1	DESIGN UNITS METRIC	THIRD ANGLE PROJECTION
	▽=0	mm INCH	DRAWN BY DATE JJONIAK 2008/07/09	TITLE VHDM H-SERIES 6 ROW BACKPLANE SIGNAL END		
	▽=0	4 PLACES ± --- ± ---	CHECKED BY DATE JJONIAK 2008/07/09	molex DOCUMENT NO. SD-76761-001 SHEET NO. 2 OF 2		
	▽=0	3 PLACES ± --- ± ---	APPROVED BY DATE SMILLER 2010/03/09			
	▽=0	2 PLACES ± 0.15 ± ---	MATERIAL NO.	SIZE C THIS DRAWING CONTAINS INFORMATION THAT IS PROPRIETARY TO MOLEX INCORPORATED AND SHOULD NOT BE USED WITHOUT WRITTEN PERMISSION		
▽=0	1 PLACE ± 0.25 ± ---	ANGULAR ±1/2°	DRAFT WHERE APPLICABLE MUST REMAIN WITHIN DIMENSIONS			