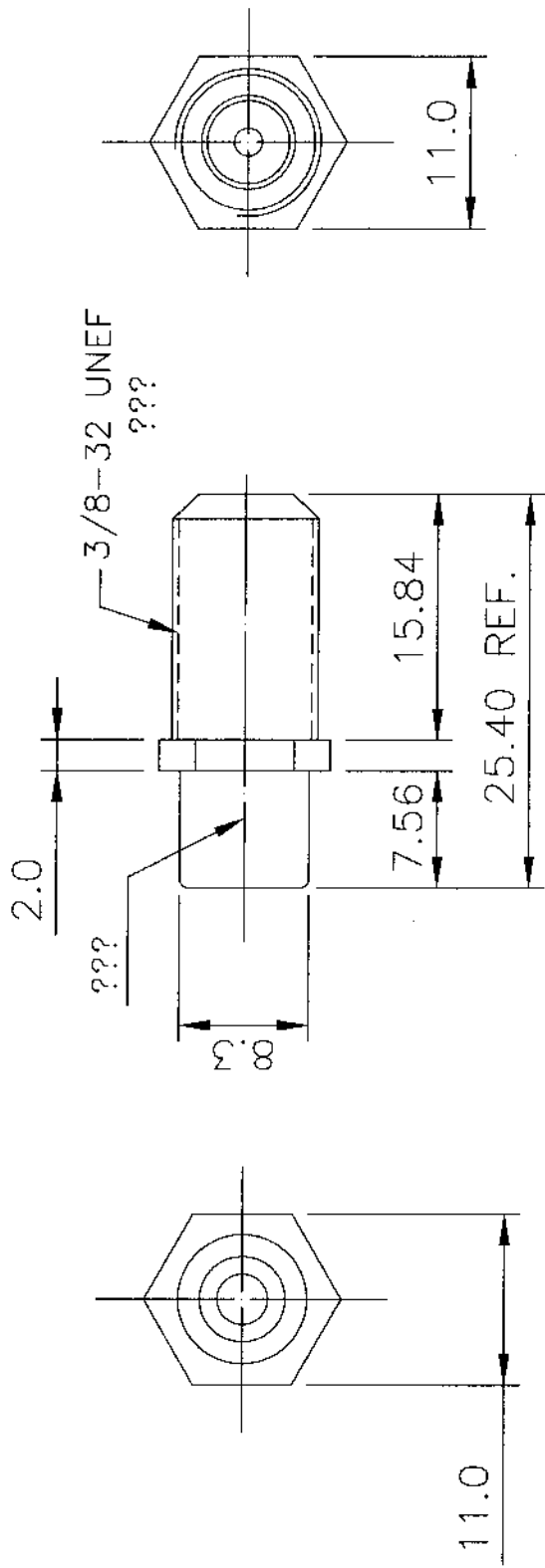


4 3 2 1

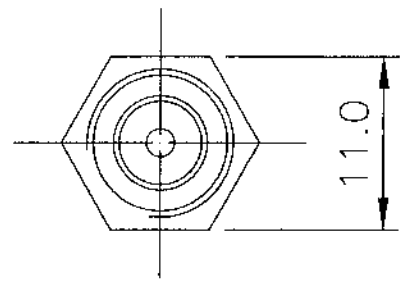
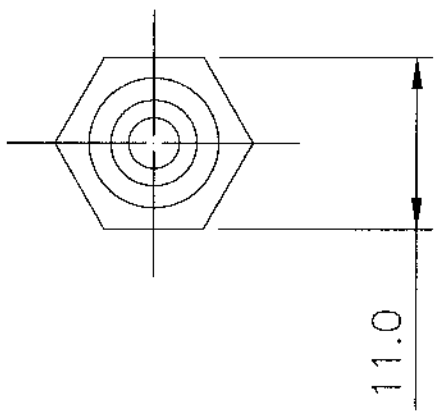
REVISIONS

ZONE	REV	DESCRIPTION	DATE	APPROVED
	A	RELEASE FOR PRODUCTION	03/12/02	

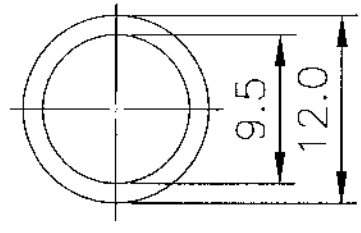


3/8-32 UNEF
???

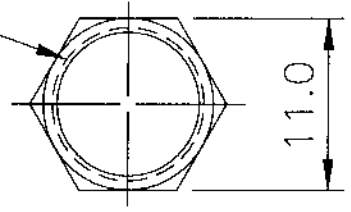
???



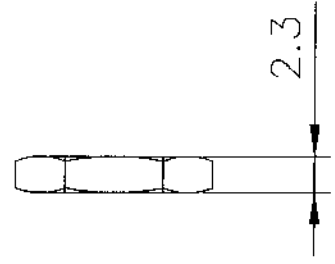
WASH:



NUT:



3/8-32 UNEF-2B



NOTE:

1. MATERIAL: BRONZE WITH GOLD PLATING, FLASH
2. F-CONNECTOR: THREADS: 3/8-32 UNEF
3. RCA CONNECTOR INSERT COLOR TO BE RED.

XMI-DYNA072CST

REC'D NOV 13 2002

UNLESS OTHERWISE SPECIFIED:		PROJECT ID	H2031-RFG5	
DECIMAL	~20 ±0.1mm	FILE	Q0616.DWG	
OVER 20-60	±0.15mm	DRAWN	BOB	
OVER 60	±0.2mm	CHECK		
MATERIAL	AS NOTE	DATE	03/12/02	
SURFACE	AS NOTE	TITLE	RCA TO F CONNECTOR	
FINISH	AS NOTE	SCALE	1:1	
		DRAWING NUMBER	Q0616	
		PART NUMBER	RCAFINSERT	
		REV	A	
		UNIT	mm	
		SHEET	1 of 1	

HellemannTyton.