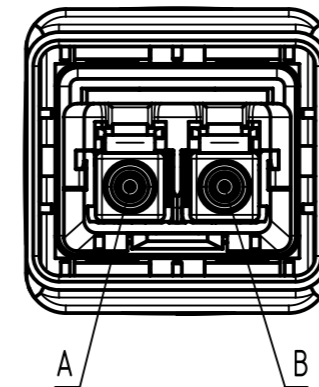
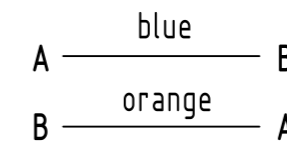


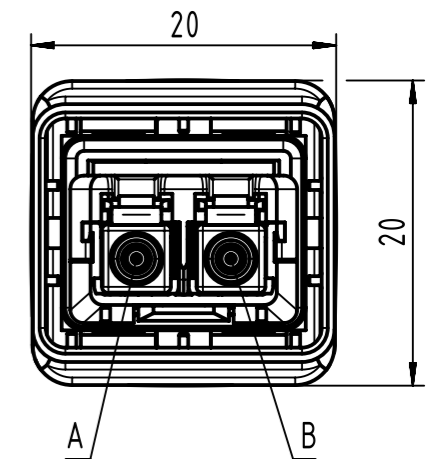
**X (2:1)**  
(without FO protection cap)



Loading-Plan



**Y (2:1)**  
(without FO protection cap)



12	33582313000017	F.O. breakout cable MM 50/125µm	300
11	33582311500017		150
10	33582311000017		100
9	33582310600017		60
8	33582310500017		50
7	33582310400017		40
6	33582310250017		25
5	33582310200017		20
4	33582310100017		10
3	33582310050017		5
2	33582310030017		3
1	33582310010017		1
Cont. No.	Part - no.	Type of cable	Dim. a[m]

-Protection level: IP67/65  
-Temperature range: -40°C ... +70°C

	All rights reserved	Created by POPESCU	Inspected by TAMAS	Standardisation HOFFMANN	Date 2015-10-30	State Final Release	
	Department EC PD - RO	Title HARTING PushPull LC Cable Assembly				Doc-Key / ECM-Nr. 100506253/UGD/003/C 50000096306	
HARTING Electronics GmbH D-32339 Espelkamp	Type TB	Number 3358231XXX0017				Rev. C	Page 1/1