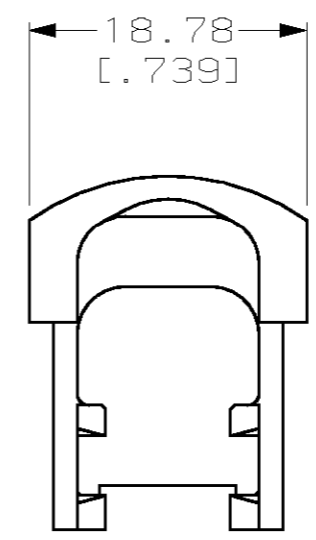
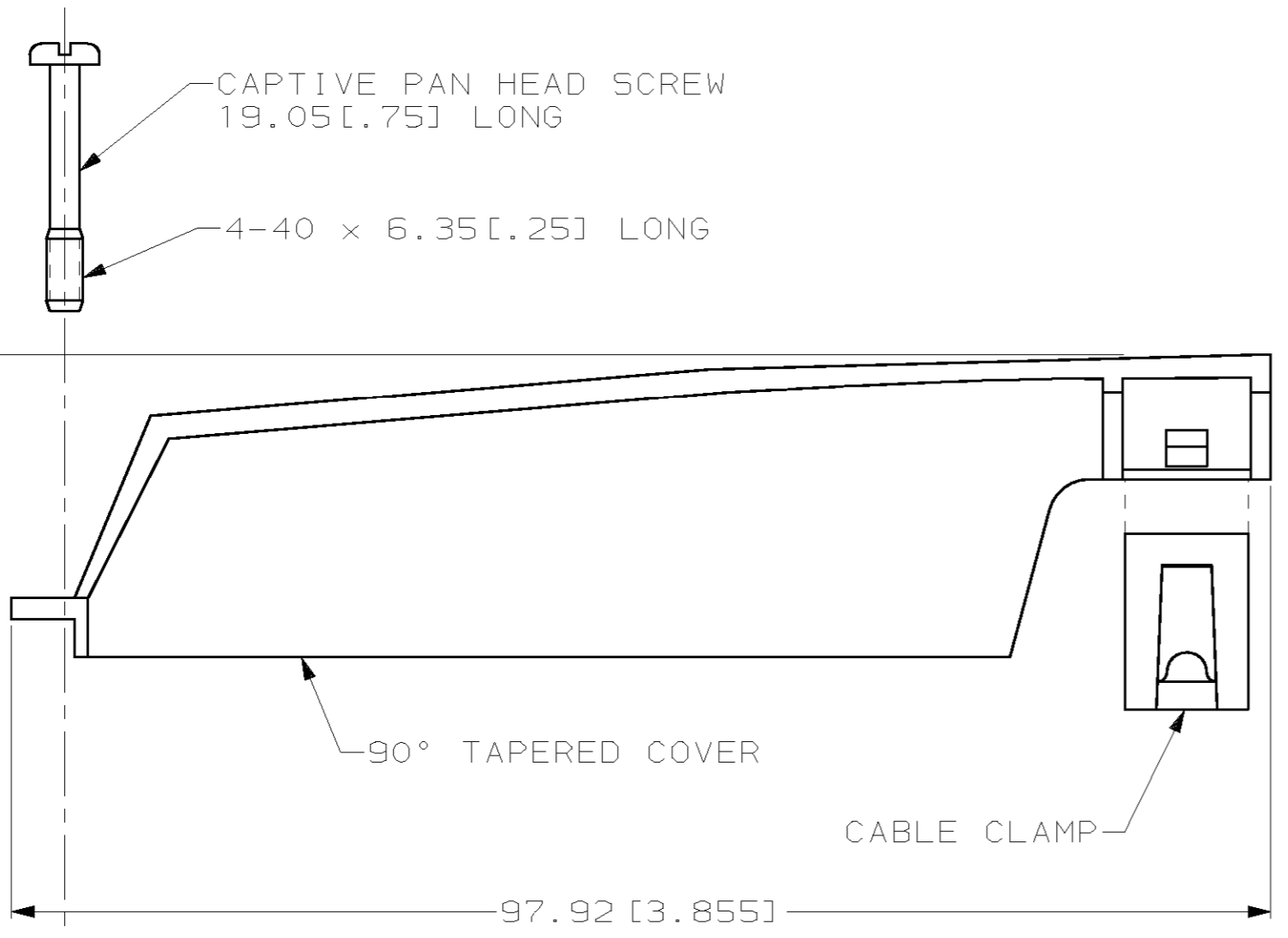
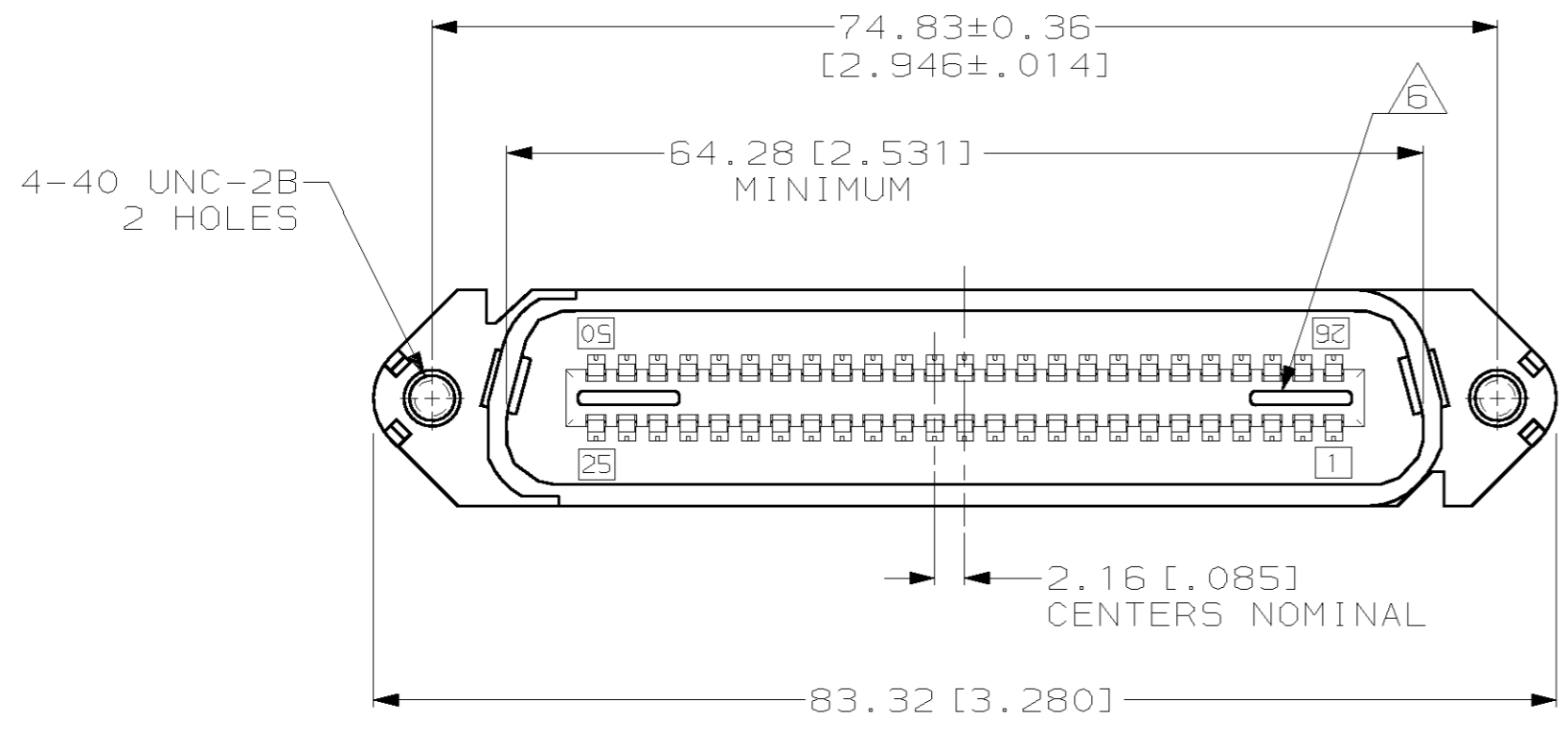
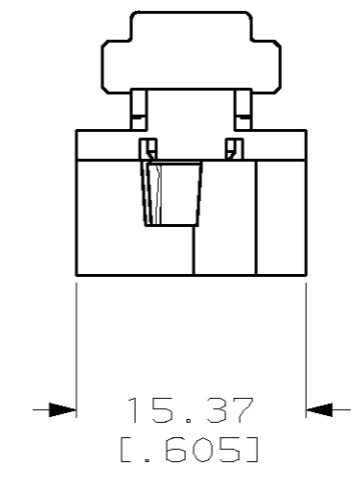
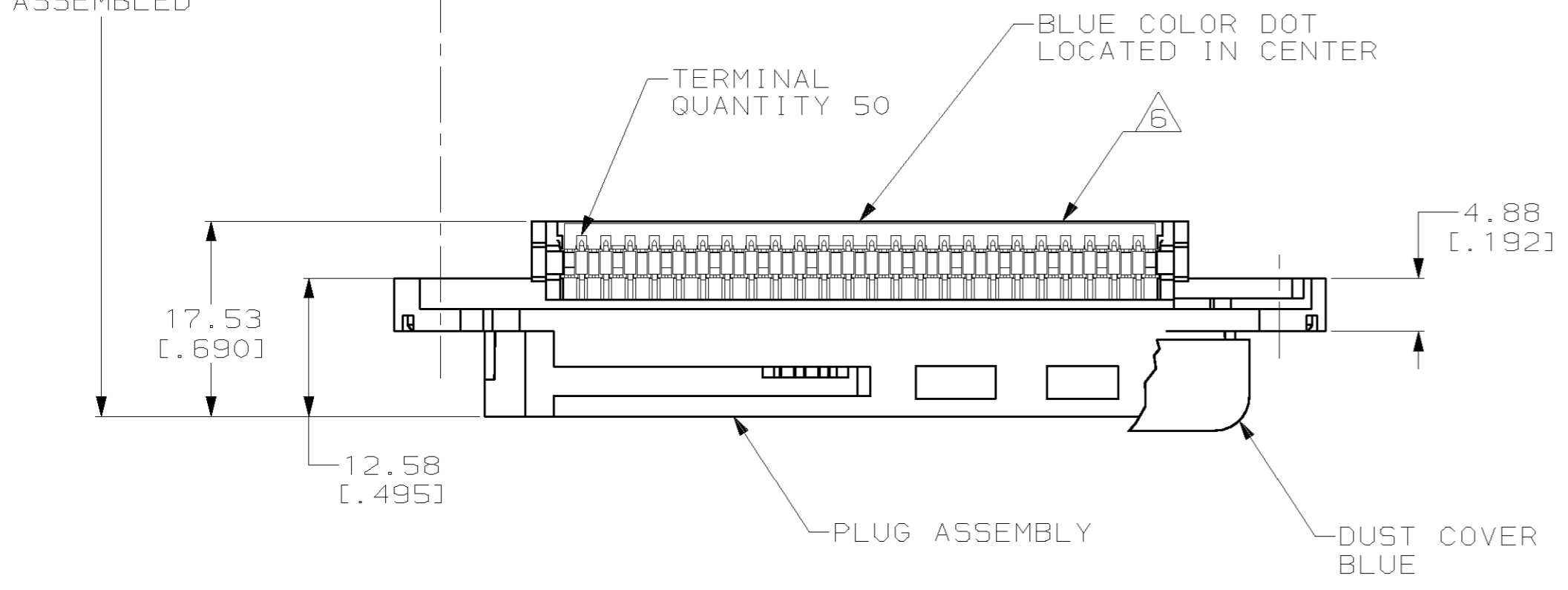


THIS DRAWING IS UNPUBLISHED. RELEASED FOR PUBLICATION .19
 © COPYRIGHT 19 BY AMP INCORPORATED. ALL RIGHTS RESERVED.

LOC		DIST		REVISIONS			
P	LTR	DESCRIPTION	DATE	DWN	APVD		
AA	20	AG	REVISED; EC 001C-0040-01	09MAR01	DLD	EWB	



- THE CONTACT SURFACES OF THE TERMINALS ARE COATED WITH LUBRICANT.
- DIMENSIONS ARE MAXIMUM UNLESS OTHERWISE SPECIFIED.
- MATERIAL: HOUSING AND COVER - POLYPHENYLENE OXIDE.
CABLE CLAMP - POLYESTER MOLDING COMPOUND.
TERMINALS - GOLD OVER NICKEL PLATED HIGH STRENGTH COPPER ALLOY.
HARDWARE - ZINC PLATED STEEL.
DUST COVER - POLYETHYLENE MOLDING COMPOUND.
- THIS KIT SHIPPED NOT ASSEMBLED.
- WIRE SIZE: 24 & 26 AWG SOLID & 24/7 STRAND COPPER CONDUCTORS. MAXIMUM INSULATION DIAMETER OF 1.14 [.045] IS ACCEPTABLE FOR MOST APPLICATIONS.
- CORING MAY OR MAY NOT APPEAR AND IS AT THE DISCRETION OF AMP INCORPORATED.



PACKAGING	CABLE RANGE	DUST COVER	COLOR	PART NUMBER
BULK PACKED	ø7.62-8.26 [ø.300-.325]	YES	BLACK	6-229912-7
	ø8.89-10.80 [ø.350-.425]	YES	GRAY	6-229912-4
		NO	BLACK	6-229912-3
POLY BAGGED	ø10.80-12.70 [ø.425-.500]	YES	BLACK	3-229912-1
		NO	BLACK	2-229912-1
	ø8.89-10.80 [ø.350-.425]	YES	GRAY	1-229912-4
		YES	BLACK	1-229912-1
		NO	GRAY	229912-4
		NO	BLACK	229912-1

THIS DRAWING IS A CONTROLLED DOCUMENT FOR AMP INCORPORATED. IT IS SUBJECT TO CHANGE AND THE CONTROLLING ENGINEERING ORGANIZATION SHOULD BE CONTACTED FOR THE LATEST REVISION.

DIMENSIONS: mm [INCHES]	TOLERANCES UNLESS OTHERWISE SPECIFIED:	DWN K. SHELTON 11 AUG 86	AMP Incorporated Harrisburg, PA 17105-3608
	0 PLC ±-	CHK B. FOX 19 AUG 86	
	1 PLC ±-	APVD J. TRAMMEL 21 AUG 86	
MATERIAL	2 PLC ±-	PRODUCT SPEC	
	3 PLC ±-	APPLICATION SPEC	NAME PLUG KIT, 50 POSITION, B-SLOT, SCREW LOCK WITH TAPERED COVER, CHAMP-LOK®
	4 PLC ±-	WEIGHT	SIZE A2
	ANGLES ±-	CUSTOMER DRAWING	CAGE CODE 00779
	FINISH	SCALE 2:1	DRAWING NO C-229912
		SHEET 1 OF 1	REV AG

229912