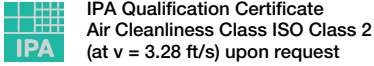


Price Index


Series E03

Special Features / Options

 IPA Qualification Certificate
 Air Cleanliness Class ISO Class 2
 (at v = 3.28 ft/s) upon request

 Flammability Class
 VDE 0304 IIC UL94 V2

 Smallest inner heights .20" (5 mm)
 Series E03 E-Z chain

Assembly Tips

 Just push the cables into the e-chain
 using your thumb

Usage Guidelines


- If filling is required without opening and closing
- If price is an issue
- If quiet operation is required



- If a non-opening Energy is needed
 ➤ Series 03 E2 Micro

Features & Benefits

- 1 Smallest e-chain® -
interior dimensions .20" x .20" (5 x 5 mm)
- 2 Small pitch for low-noise and smooth operation
- 3 Very easy to fill, without opening and closing lids
- 4 Mounting bracket with integrated strain relief
- 5 Very lightweight - ideal for low fill weight
- 6 Patented push button design holds the links together
- 7 For smallest bending radii
chainflex® CF98/CF99 - 4 x d


Order Example: Complete e-chain®

Please indicate chain length or number of links. Example:

 3.28 ft (1 m) **E03-05-010-0**

e-chain®

 1 Set **E03-05-12Z**

Mounting Bracket

e-chain system® E-Z chain

Series E03

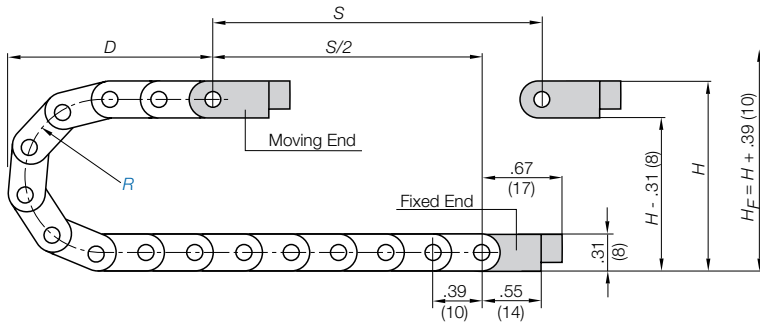
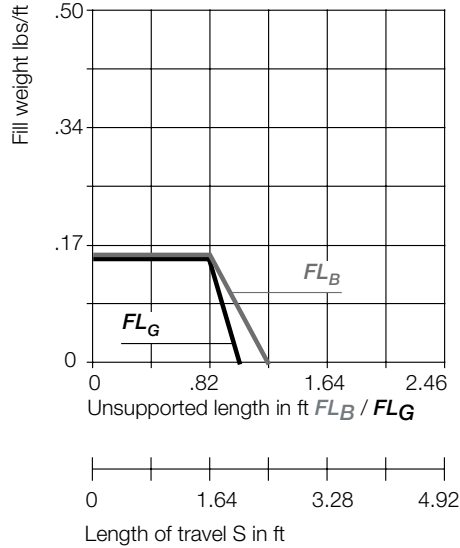
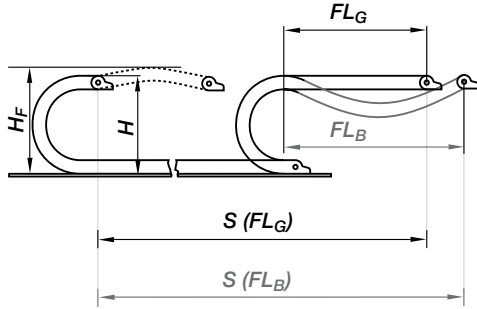
Installation Dimensions



E03

Short travel, unsupported length

- FL_B = unsupported with permitted sag
 - FL_G = unsupported with straight upper run
- Further information ► Design, Chapter 1



Pitch per link = .39" (10 mm)
 Links per ft (m) = 30.47 (100)
 For center mount applications:
 Chain length = $\frac{S}{2} + K$

The required clearance height: $H_F = H + .39$ in. (10 mm) (with .067 lbs/ft (0.1 kg/m) fill weight). Please consult igus® if space is particularly restricted.

R	.39 (010)	.47 (012)	.59 (015)	.71 (018)	1.10 (028)
H	1.10 (28)	1.26 (32)	1.50 (38)	1.73 (44)	2.52 (64)
D	1.14 (29)	1.22 (31)	1.34 (34)	1.46 (37)	1.85 (47)
K	2.17 (55)	2.36 (60)	2.76 (70)	3.15 (80)	4.33 (110)

Short Travels - Unsupported



Unsupported E-Chains® feature positive camber over short travels. This must be accounted for when specifying the clearance height. Please refer to **Installation dimensions** for further details.

Legend

- S = Length of travel
- R = Bending radius
- H = Nominal clearance height
- D = Overlength e-chain® radius in final position
- $K = \pi \cdot R + \text{safety buffer}$
- H_F = Required clearance height



PDF: igus.com/e-chain-pdfs
 Product information: igus.com/e-chains



Speed / acceleration FL_G	max. 65.6 ft/s (20 m/s) / max. 656 ft/s ² (200 m/s ²)
Speed / acceleration FL_B	max. 9.84 ft/s (3 m/s) / max. 19.69 ft/s ² (6 m/s ²)
Gliding speed / acceleration (maximum)	max. 9.84 ft/s (3 m/s) / max. 32.8 ft/s ² (10 m/s ²)
Material (e-chain®) - permitted temperature	igumid NB / -40°F (-40°C) up to +176°F (+80°C)
Material (mounting brackets)* - permitted temperature	igumid G / -40°F (-40°C) up to +248°F (+120°C)
Flammability Class (e-chain®), igumid NB	VDE 0304 IIC UL94 V2
Flammability Class (mounting brackets), igumid G*	VDE 0304 IIC UL94 HB

*Available in igumid NB upon request, please consult igus® for delivery time

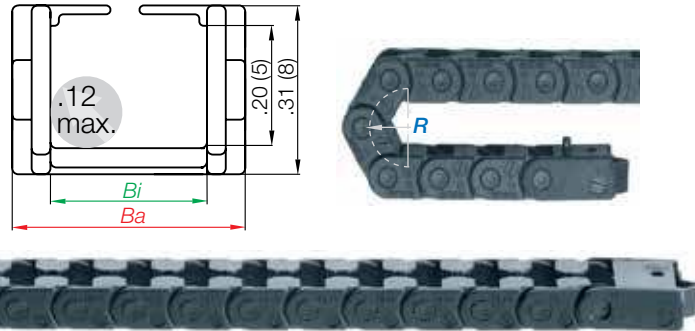
Technical Data



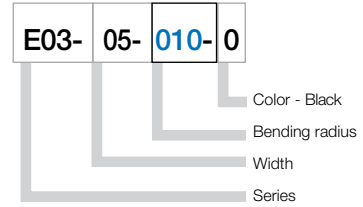
Details of material properties

► Chapter 1

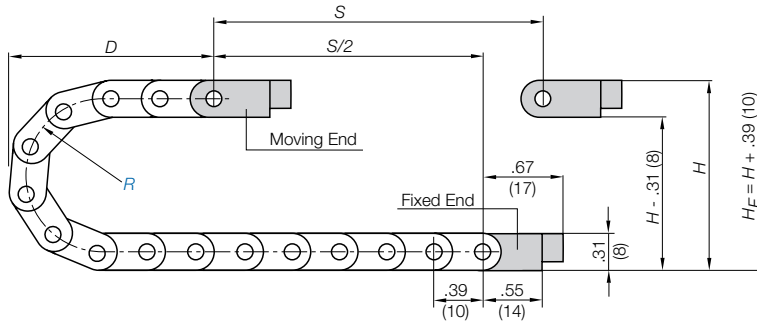
Series E03 - Split crossbar along the outer radius



Part Number Structure



Telephone 1-800-521-2747



Supplement part number with required radius. Example: E03-05--0
Pitch: .39 in. (10 mm) per link links/ft (m) = 30.47 (100)

Part Number	Bi in. (mm)	Ba in. (mm)	Weight lbs/ft (kg/m)	Crossbar gap in. (mm)
E03-05- <input type="text"/> -0*	.20 (5)	.34 (8.7)	≈ 0.020 (0.03)	.04 (1)
E03-07- <input type="text"/> -0*	.28 (7)	.42 (10.7)	≈ 0.026 (0.04)	.08 (2)
E03-10- <input type="text"/> -0*	.39 (10)	.54 (13.7)	≈ 0.033 (0.05)	.08 (2)

Choose from the radii below for all of the above sizes
Radius (mm) Example: 03-05--0

	<input type="text" value="010"/>	<input type="text" value="012"/>	<input type="text" value="015"/>	<input type="text" value="018"/>	<input type="text" value="028"/>
R	.39 (010)	.47 (012)	.59 (015)	.71 (018)	1.10 (028)
H	1.10 (28)	1.26 (32)	1.50 (38)	1.73 (44)	2.52 (64)
D	1.14 (29)	1.22 (31)	1.34 (34)	1.46 (37)	1.85 (47)
K	2.17 (55)	2.36 (60)	2.76 (70)	3.15 (80)	4.33 (110)

0=Standard color black. For other colors see Chapter 1

*Please note: For this series the crossbars do not overlap. Please see table for gap amount.

e-chain system® E-Z chain

Series E03

Mounting Brackets



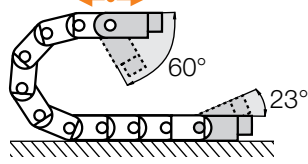
E03



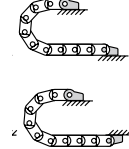
Polymer, one-piece

- One-piece mounting bracket
- Corrosion resistant
- Available preassembled
- Inner and outer attachment possible
- Adaptor plate for rapid installation

Moving end with bore
03 ...1Z

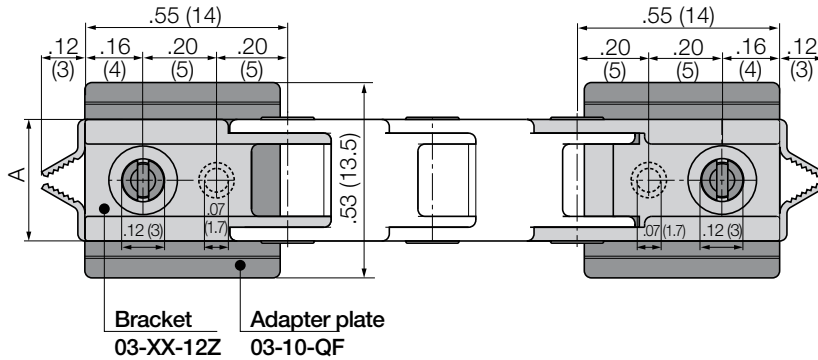
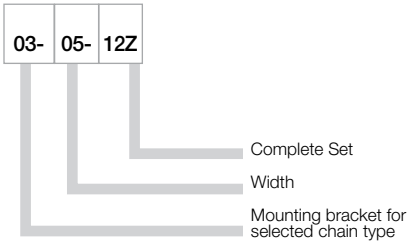


Fixed end with pin
03...2Z



Possible installation configurations -

Part Number Structure



Full set, for both ends:

03- 05- 12Z Full set, each part with pin/bore

Single-part order:

03- 05- 1Z Mounting bracket with bore

03- 05- 2Z Mounting bracket with pin

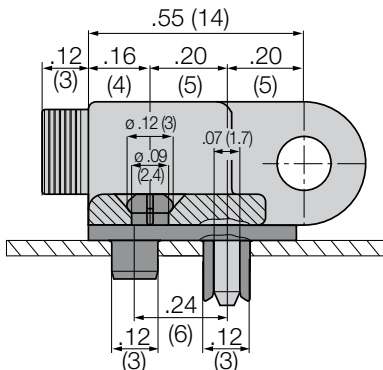
Width Index	Part No. Full Set	Dimension A in. (mm)
-05	03-05-12PZ	.34 (8.7)
-07	03-07-12PZ	.42 (10.7)
-10	03-10-12PZ	.54 (13.7)

Additional Accessories



03-10-QF = Adapter plate for all sizes

The adapter has broken edges, so that it can be adapted to the respective chain width. It is not absolutely necessary for attaching the mounting brackets. The mounting brackets can also be screwed on without the adapter plate.



PDF: igus.com/e-chain-pdfs
Product information: igus.com/e-chains

