

6

5

4

3

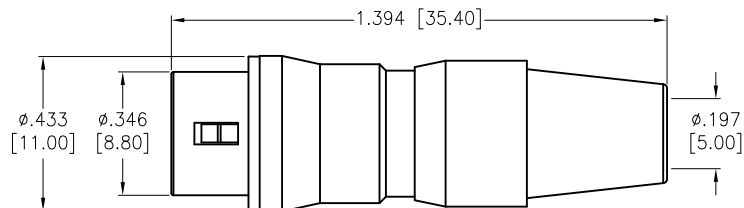
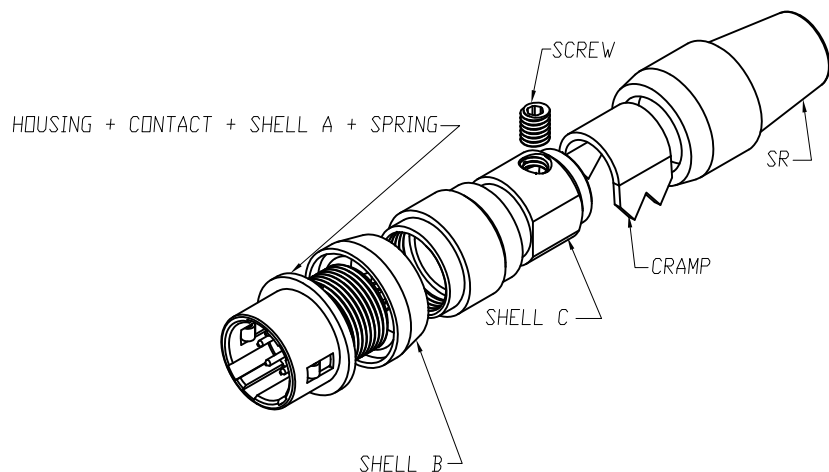
2

1

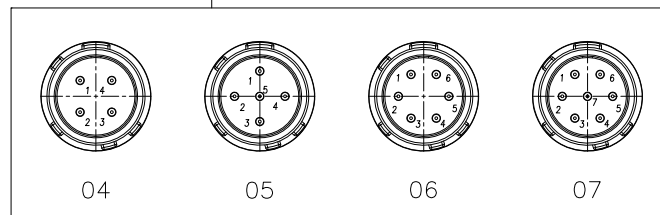
APPROVED: _____

DATE: _____ TITLE: _____

Rev	AWO #	Description	Date	Appr
-		RELEASED	11/23/18	



SD-PNNXX-MMLAL-S00-000



SPECIFICATIONS:

Material:
 Housing: Nylon 46, rated UL 94V-0, Color: Black
 Contacts: Brass, Gold Flash plated
 Shell A: Zinc Alloy, Nickel plated
 Shell B: Brass, Nickel plated
 Shell C: Brass, Nickel plated
 Screw: Alloy Steel, Nickel plated
 Clamp: Brass
 SR: NBR, Color: Black
 Environmental:
 Lead free, RoHS compliant



UNLESS OTHERWISE SPECIFIED ALL DIMENSIONS ARE INCHES [MM] TOLERANCES: EXCEPT AS NOTED		ADAM TECH INTERCONNECTS 909 Rahway Avenue, Union, NJ 07083 Phone: 908-687-5000 Fax: 908-687-5710	
INCHES HOLES			
.X ± .10	Ø.X ± .10	TITLE: WATERPROOF CONNECTOR, MALE DIN, ASSEMBLY, SHELL LOCK TYPE, SOLDER	
.XX ± .020	Ø.XX ± .015		
.XXX ± .015	Ø.XXX ± .010		
APPROVALS		DATE	
DRAWN	HR	11/23/18	
CHECKED	AC	11/23/18	
APPROVED			
SIZE	PART NO.	REV.	
X	SD-PNNXX-MMLAL-S00-000	-	
REF:	S00200T	SCALE:	NTS
		SHEET 1 OF 1	

6

5

4

3

2

1