

CLIFF

ENCODER KNOB K18



K18 is a versatile knob designed for use on encoders. It has 3 weight versions, designated light weight (L), medium weight (M) 35g and heavy weight (H) 50gm. There are push fix and screw fix versions.

The top surface has dual finger locations for fast or slow spin. The 3 different weight versions give 3 kinds of inertia when spinning the encoder. The heavier weight versions give the feel of the more expensive solid metal knobs, whilst our internal construction options give possibility of various shaft fittings.

KNOB DETAILS SF=screw fix
Order by part number plus colour suffix.

Light weight

CL71670 - Knob K18 6mm splined

CL71671 - Knob K18 6mm SF

Medium weight

CL71660 - Knob K18 35gm 6mm splined

CL71661 - Knob K18 35gm 6mm SF

CL71662 - Knob K18 35gm 1/4" SF

Heavy weight

CL71650 - Knob K18 50gm 6mm splined

CL71651 - Knob K18 50gm 6mm SF

Add colour suffix to end of P/No.

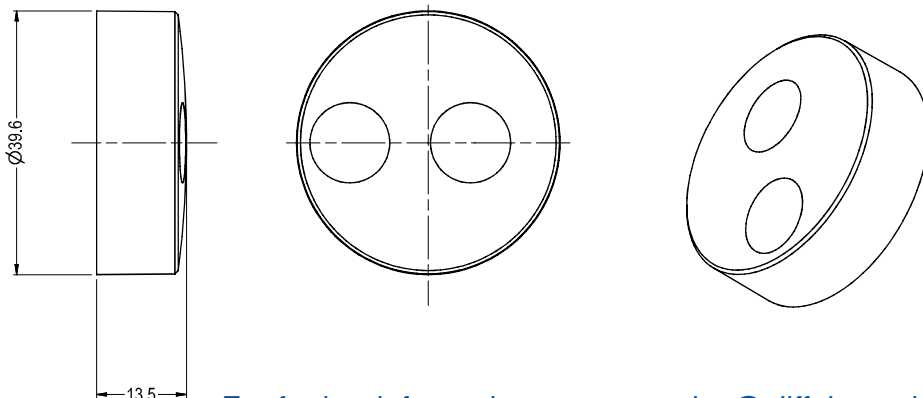
B - Black

A - Grey

L - Blue

R - Red

W - White



© CLIFF 02/19 ISS.2

For further information, contact sales@cliffuk.co.uk

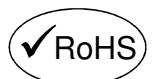
Cliff Electronic Components Limited,

76 Holmethorpe Avenue, Holmethorpe Ind. Estate,
Redhill, Surrey RH1 2PF U.K.

Tel: +44 (0)1737 771375 Fax: +44 (0)1737 766012



Visit us online at:



www.cliffuk.co.uk