

THIS DRAWING IS UNPUBLISHED.

RELEASED FOR PUBLICATION

20

© COPYRIGHT 20 BY -

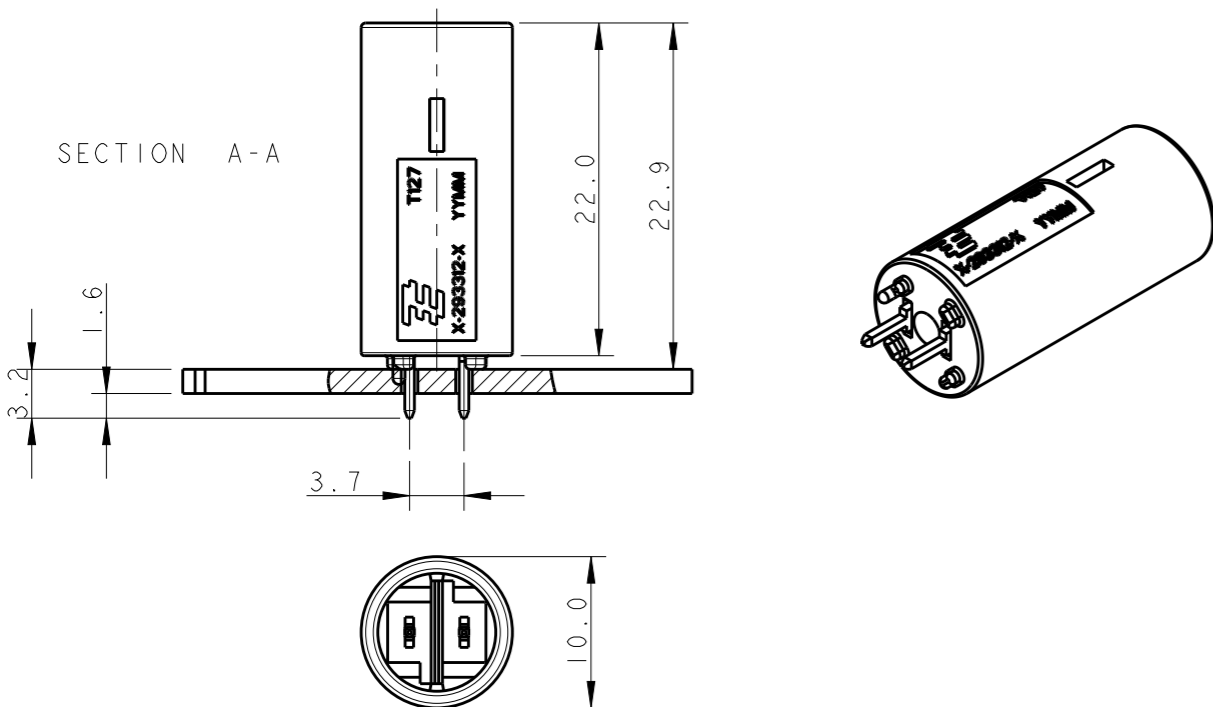
ALL RIGHTS RESERVED.

LOC	DIST
1	2

REVISIONS

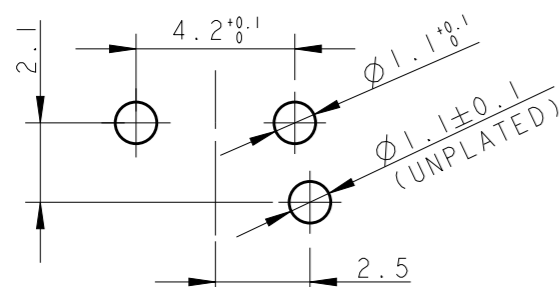
P	LTR	DESCRIPTION	DATE	DWN	APVD
	A	FIRST ISSUE	17FEB2010	AV	GT
	A1	REVISED MARKS ON -5 WAS MARKED AC	04OCT2011	AV	GT
	A2	REVISED PER ECR-13-009678	18SEP2013	RS	DD

TYPICAL APPLICATION



PRINTED CIRCUIT BOARD LAYOUT FOR LOW VOLTAGE VERSION

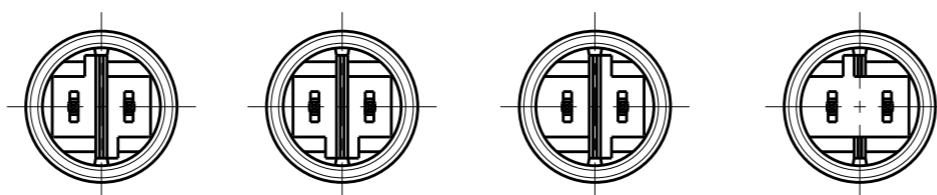
TOLERANCES UNLESS OTHERWISE SPECIFIED ± 0.05  
PRINTED CIRCUIT BOARD THICKNESS: 1.6 mm NOMINAL



SCALE 5:2

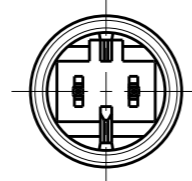
HIGH VOLTAGE

KEYING HV-2    KEYING HV-3    KEYING HV-4    KEYING HV-5



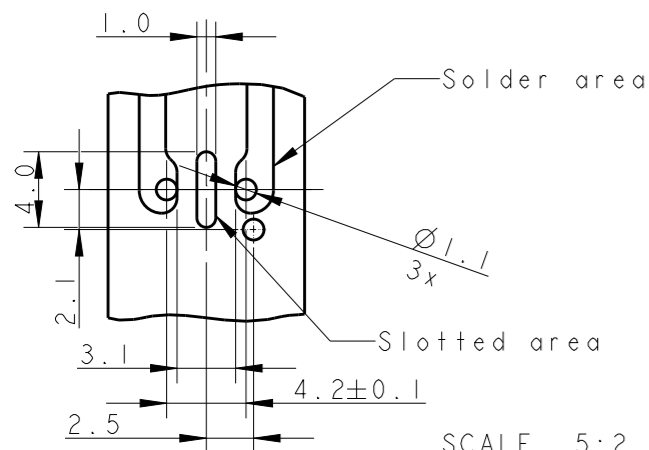
LOW VOLTAGE

KEYING LV-2



PRINTED CIRCUIT BOARD LAYOUT FOR HIGH VOLTAGE VERSION

TOLERANCES UNLESS OTHERWISE SPECIFIED ± 0.05  
PRINTED CIRCUIT BOARD THICKNESS: 1.6 mm NOMINAL

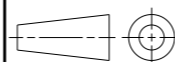


SCALE 5:2

LV-2	LOW-VOLT 42 V DC	293653-5	TIN	WHITE
HV-5	HIGH-VOLT 6A 125 V AC	293653-4	TIN	WHITE
HV-4	HIGH-VOLT 6A 125 V AC	293653-3	TIN	WHITE
HV-3	HIGH-VOLT 6A 125 V AC	293653-2	TIN	WHITE
HV-2	SWITCH-KEYING	293653-1	TIN	WHITE
KEYING	REMARKS	PART NUMBER	CTC. FINISH SURFACE	COLOR

THIS DRAWING IS A CONTROLLED DOCUMENT.

DIMENSIONS:  
mm



TOLERANCES UNLESS OTHERWISE SPECIFIED:

0 PLC	±-
1 PLC	±0.3
2 PLC	±0.1
3 PLC	±-
4 PLC	±-
ANGLES	±0.5°

MATERIAL

FINISH

DWN 17FEB2010

A. vecchia

CHK 17FEB2010

G. Turco

APVD 17FEB2010

G. Turco

PRODUCT SPEC

108-20294

APPLICATION SPEC

114-32102

WEIGHT

-

CUSTOMER DRAWING



TE Connectivity

NAME  
7.5 mm PCB CONNECTOR ASSEMBLY  
STRAIGHT MALE VERSION FOR USA MARKET

SIZE CAGE CODE DRAWING NO RESTRICTED TO

A300779 C-293653

SCALE 5:1 SHEET 1 OF 1 REV A2