

ME 17,5 UTG KMGY - Mounting base housing



2202694

<https://www.phoenixcontact.com/us/products/2202694>

Please be informed that the data shown in this PDF document is generated from our online catalog. Please find the complete data in the user documentation. Our general terms of use for downloads are valid.



DIN rail housing, Lower housing part with metal foot catch, tall design, without vents, width: 17.6 mm, height: 99 mm, depth: 107.3 mm, color: light grey (7035), cross connection: without bus connector, number of positions cross connector: not relevant

Your advantages

- Tool-free mounting
- Available in overall widths from 12.5 mm to 90 mm, modular extension possible
- Flammability rating V0 in accordance with UL 94
- Variety of connection technology
- Can be mounted on the DIN rail
- With integrated or DIN-rail-mountable bus connector as an option

Commercial data

Item number	2202694
Packing unit	1 pc
Minimum order quantity	10 pc
Note	Made to order (non-returnable)
Sales key	AC08
Product key	ACHAAA
GTIN	4055626170268
Weight per piece (including packing)	41.13 g
Weight per piece (excluding packing)	36.878 g
Customs tariff number	85389099
Country of origin	DE

ME 17,5 UTG KMGY - Mounting base housing

2202694

<https://www.phoenixcontact.com/us/products/2202694>

Technical data


Notes

General	Refer to the data sheet for the range in the download area.
---------	---

Product properties

Type	Lower housing parts without vents, housing cover necessary to complete the module
Product type	Enclosure bottom part
Product family	ME...UTG
Type	Lower housing part with metal foot catch, tall design
Housing type	DIN rail housing
Ventilation openings present	no
Housing series	ME

Dimensions

Dimensional drawing	
Width	17.6 mm
Height	99 mm
Depth	107.3 mm
Depth from top edge of DIN rail	100.7 mm
Depth from top edge of DIN rail to support point on upper part	68.5 mm
PCB design	
PCB thickness	1.4 mm ... 1.8 mm

Material specifications

Color	light grey (7035)
Flammability rating according to UL 94	V0
CTI according to IEC 60112	600
Surface characteristics	untreated
Housing material	Polyamide

Environmental and real-life conditions

Power dissipation single housing for 20 °C

Ambient temperature	20 °C
Reduction factor	1

ME 17,5 UTG KMGY - Mounting base housing



2202694

<https://www.phoenixcontact.com/us/products/2202694>

Mounting position	vertical
Power dissipation	4.9 W

Power dissipation single housing for 30 °C

Ambient temperature	30 °C
Reduction factor	0.91
Mounting position	vertical
Power dissipation	4.5 W

Power dissipation single housing for 40 °C

Ambient temperature	40 °C
Reduction factor	0.81
Mounting position	vertical
Power dissipation	4 W

Power dissipation single housing for 50 °C

Ambient temperature	50 °C
Reduction factor	0.7
Mounting position	vertical
Power dissipation	3.4 W

Power dissipation single housing for 60 °C

Ambient temperature	60 °C
Reduction factor	0.57
Mounting position	vertical
Power dissipation	2.8 W

Power dissipation single housing for 70 °C

Ambient temperature	70 °C
Reduction factor	0.49
Mounting position	vertical
Power dissipation	2.4 W

Vibration test

Specification	IEC 60068-2-6:2007-12
Frequency	10 - 150 - 10 Hz
Sweep speed	1 octave/min
Amplitude	0.15 mm (10 Hz ... 58.1 Hz)
Acceleration	2g (58.1 Hz ... 150 Hz)
Test duration per axis	2.5 h
Test directions	X-, Y- and Z-axis

Glow-wire test

Specification	IEC 60695-2-11:2014-02
Temperature	850 °C
Time of exposure	30 s

Thermal stability / ball thrust test

ME 17,5 UTG KMGY - Mounting base housing



2202694

<https://www.phoenixcontact.com/us/products/2202694>

Specification	IEC 60695-10-2:2014-02
Temperature	125 °C
Test duration	1 h
Force	20 N

Mechanical strength / tumbling barrel

Specification	IEC 60998-1:2002-12
Height of fall	50 cm
Frequency	10

Shocks

Specification	IEC 60068-2-27:2008-02
Pulse shape	Half-sine
Acceleration	15g
Shock duration	11 ms
Number of shocks per direction	3
Test directions	X-, Y- and Z-axis (pos. and neg.)

Degree of protection (IP code)

Specification	IEC 60529:1989-11 + AMD 1:1999-11 + AMD 2:2013-08
---------------	---

Ambient conditions

Max. IP code to attain	IP20
Ambient temperature (operation)	-40 °C ... 105 °C (depending on power dissipation)
Ambient temperature (storage/transport)	-40 °C ... 55 °C
Ambient temperature (assembly)	-5 °C ... 100 °C
Relative humidity (storage/transport)	80 %

PCB data

Number of PCB holders	1
Type of PCB mount	Insertion (optional latching by PCB stop)
Thickness of the PCB	1.4 mm ... 1.8 mm

Mounting

Mounting type	DIN rail mounting
Mounting position	Vertical (horizontal DIN rail)

Packaging specifications

Type of packaging	packed in cardboard
Outer packaging type	Carton

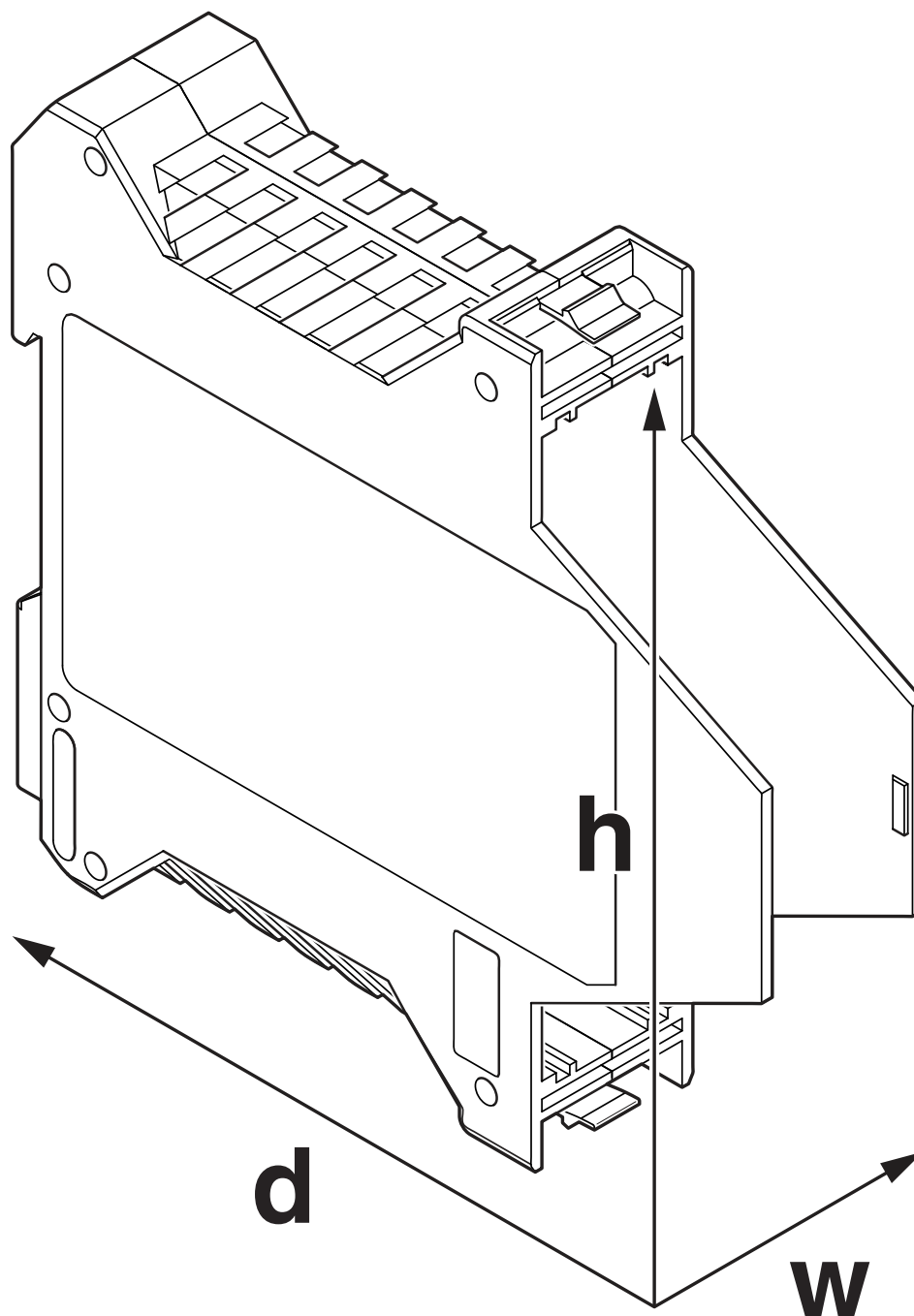
ME 17,5 UTG KMGY - Mounting base housing

2202694

<https://www.phoenixcontact.com/us/products/2202694>

Drawings

Dimensional drawing



Schematic figure for illustrating the item dimensions. The figure is not of the desired product. For further details, refer to the product drawings in the "Downloads" tab.

ME 17,5 UTG KMGY - Mounting base housing



2202694

<https://www.phoenixcontact.com/us/products/2202694>

Approvals

To download certificates, visit the product detail page: <https://www.phoenixcontact.com/us/products/2202694>



UL Recognized

Approval ID: FILE E 240868

ME 17,5 UTG KMGY - Mounting base housing



2202694

<https://www.phoenixcontact.com/us/products/2202694>

Classifications

ECLASS

ECLASS-11.0	27182702
ECLASS-13.0	27190601

ETIM

ETIM 8.0	EC001031
----------	----------

UNSPSC

UNSPSC 21.0	31261500
-------------	----------

ME 17,5 UTG KMGY - Mounting base housing



2202694

<https://www.phoenixcontact.com/us/products/2202694>

Environmental product compliance

China RoHS	Environmentally friendly use period: unlimited = EFUP-e
	No hazardous substances above threshold values

ME 17,5 UTG KMGY - Mounting base housing

2202694

<https://www.phoenixcontact.com/us/products/2202694>

Mandatory accessories

ME 17,5 OT-FKDSO KMGY - Upper part of housing

2200322

<https://www.phoenixcontact.com/us/products/2200322>



DIN rail housing, Upper housing part for PCB terminal blocks with Push-in spring connection, width: 17.6 mm, height: 99 mm, depth: 45.85 mm, color: light grey (7035)

ME 17,5 OT-MSTBO KMGY - Upper part of housing

2853747

<https://www.phoenixcontact.com/us/products/2853747>



DIN rail housing, Upper housing part for connectors with header, width: 17.6 mm, height: 99 mm, depth: 45.85 mm, color: light grey (7035)

ME 17,5 UTG KMGY - Mounting base housing

2202694

<https://www.phoenixcontact.com/us/products/2202694>

ME 17,5 OTU-MKDSO KMGY - Upper part of housing

2278940

<https://www.phoenixcontact.com/us/products/2278940>

DIN rail housing, Upper housing part for PCB terminal blocks with screw connection, width: 17.6 mm, height: 99 mm, depth: 45.85 mm, color: light grey (7035)



ME 17,5 OTP-MSTBO PS KMGY - Upper part of housing

2279253

<https://www.phoenixcontact.com/us/products/2279253>

DIN rail housing, Upper housing part for connectors with header, width: 17.6 mm, height: 99 mm, depth: 45.85 mm, color: light grey (7035)



ME 17,5 UTG KMGY - Mounting base housing

2202694

<https://www.phoenixcontact.com/us/products/2202694>

ME 17,5 OT-MSTBO SET KMGY - Upper part of housing

2914181

<https://www.phoenixcontact.com/us/products/2914181>

DIN rail housing, Set comprised of upper housing part, 4 PCB headers (3-pos.), and 4 PCB terminal blocks with screw connection (3-pos.), width: 17.6 mm, height: 99 mm, depth: 45.85 mm, color: light grey (7035)



ME 17,5 OT-MKDSO KMGY - Upper part of housing

2854089

<https://www.phoenixcontact.com/us/products/2854089>

DIN rail housing, Upper housing part for PCB terminal blocks with screw connection, width: 17.6 mm, height: 99 mm, depth: 45.85 mm, color: light grey (7035)



Accessories

ME 17,5 UTG KMGY - Mounting base housing

2202694

<https://www.phoenixcontact.com/us/products/2202694>

ME LPZS - PCB stop

2906911

<https://www.phoenixcontact.com/us/products/2906911>



DIN rail housing, after approx. 4 cm, the ME LPZS PCB pull-out stop prevents the PCB from being removed completely and locks the PCB in place

ME MF 17,5 - Base latch

2908281

<https://www.phoenixcontact.com/us/products/2908281>



Metal foot catch with spring, for intermediate elements.

ME 17,5 UTG KMGY - Mounting base housing

2202694

<https://www.phoenixcontact.com/us/products/2202694>



ME-SAS - Shield connection clamp

2853899

<https://www.phoenixcontact.com/us/products/2853899>

Shield connection clamp for terminal points starting from 2.5 mm²

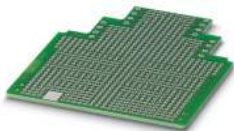


ME LP - PCB

2906908

<https://www.phoenixcontact.com/us/products/2906908>

PCB, for custom fitting, with contact to DIN rail (EN 60715)



ME 17,5 UTG KMGY - Mounting base housing



2202694

<https://www.phoenixcontact.com/us/products/2202694>

EML (44X76)R-ME - Label for ME ... UT ... housing

0828130

<https://www.phoenixcontact.com/us/products/0828130>



Label for ME ... UT ... housing, Roll, white, unlabeled, can be labeled with: THERMOMARK ROLLMASTER 300/600, THERMOMARK X1.2, THERMOMARK ROLL X1, THERMOMARK ROLL 2.0, THERMOMARK ROLL, mounting type: adhesive, lettering field size: 44 x 76 mm, Number of individual labels: 200

Phoenix Contact 2023 © - all rights reserved

<https://www.phoenixcontact.com>

Phoenix Contact USA
586 Fulling Mill Road
Middletown, PA 17057, United States
(+717) 944-1300
info@phoenixcon.com