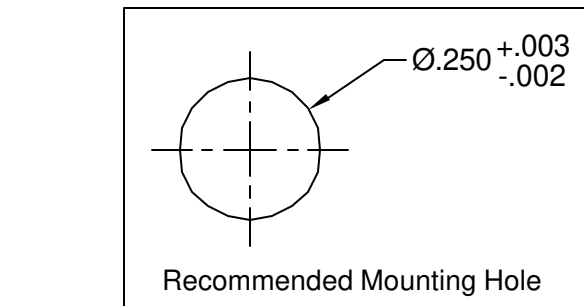
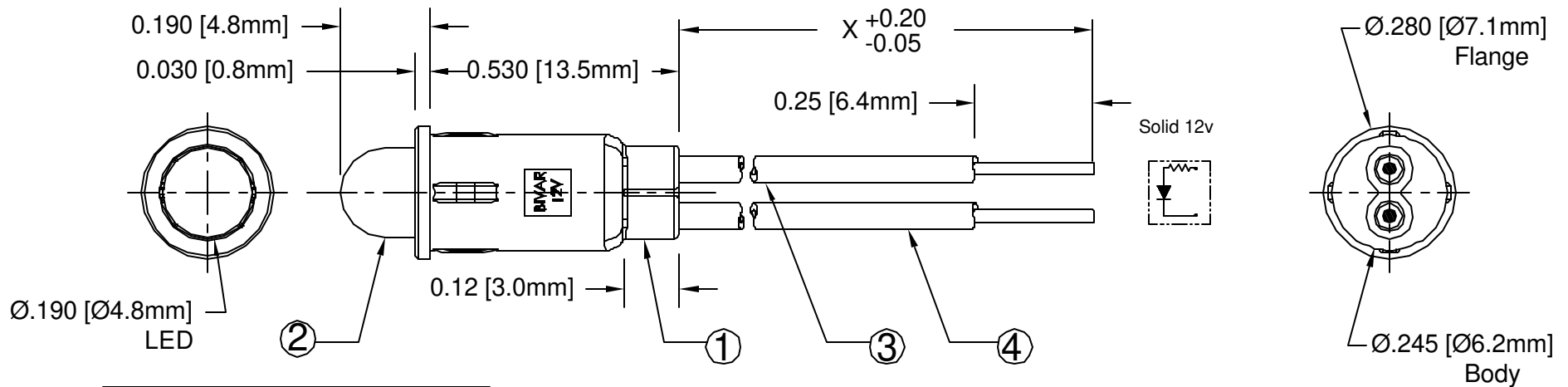


ITEM	Q'TY	PART NUMBER	PART DESCRIPTION
1	1	PM5-12V	LED Holder, Panel Mount, Press Fit, (5mm)
2	1	5XX12V	T-1¼ (5mm) Non-Flange LED, See Page 2.
3	1	BWS24-1007-RD	24AWG Wire Lead U.L. 1007, Red
4	1	BWS24-1007-BK	24AWG Wire Lead U.L. 1007, Black

REV.	DESCRIPTION	DATE	APPROVED
A	Engineering Release	02/01/05	M. C.



EXAMPLE:  
PM5RD12VWX.X  
 Wire Length "X"  
 LED Color & Lens Appearance.  
 Series

\* X.X = Wire Length "X"

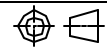
## ABSOLUTE MAXIMUM RATINGS (Ta = 25°C)

REVERSE VOLTAGE	5V
REVERSE CURRENT ( VR=5V)	100µA
OPERATING TEMPERATURE RANGE	-40°C ~ 85°C
STORAGE TEMPERATURE	-40°C ~ 100°C
LEAD SOLDERING TEMPERATURE (1/16" FROM BODY)	260°C for 5 Seconds

STANDARD TOLERANCE ( UNLESS OTHERWISE SPECIFIED )		BIVAR®	
DECIMALS	ANGULAR	4 THOMAS, IRVINE, CA 92618 TEL: (949) 951-8808 FAX: (949) 951-3974	
.X ±.1	X° ±1°	<b>TITLE:</b> T-1 ¼ (5mm) PANEL MOUNT ASSEMBLY, 12V	
.XX ±.02		<b>PART NO:</b> PM5XX12VWX.X	<b>REVISION:</b> A
.XXX ±.010		<b>CAGE CODE :</b> 32559	<b>SHEET #</b> 1 OF 2
DESIGNED: <b>David Green</b> DATE: <b>02/01/05</b> CHECKED: <b>T. Yin</b> DATE: <b>02/01/05</b>		CAD GENERATED DOCUMENT. DO NOT MEASURE DRAWING.	

REV.	DESCRIPTION	DATE	APPROVED
	SEE SHEET#1.		

LED Assy. No.	Peak Wave Length $\lambda_p$ (nm)	Emitted Color	Lens Appearance	Electro-Optical Data @ 12V				Viewing Angle $2\theta_{1/2}$ (Deg)	LED P/N
				If (mA)	Vf (V)		Iv (mcd)		
				TYP	TYP	MAX	TYP		
PM5GC12VWX.X	565	GREEN	WATER CLEAR	10	-	12.0	65.0	30	5GC12V
PM5GD12VWX.X	565	GREEN	DIFFUSED	10	-	12.0	35.0	45	5GD12V
PM5YC12VWX.X	585	YELLOW	WATER CLEAR	10	-	12.0	55.0	30	5YC12V
PM5YD12VWX.X	585	YELLOW	DIFFUSED	10	-	12.0	35.0	45	5YD12V
PM5HC12VWX.X	635	HE RED	WATER CLEAR	10	-	12.0	100.0	30	5HC12V
PM5HD12VWX.X	635	HE RED	DIFFUSED	10	-	12.0	35.0	45	5HD12V
PM5RC12VWX.X	700	RED	WATER CLEAR	10	-	12.0	18.0	30	5RC12V
PM5RD12VWX.X	700	RED	DIFFUSED	10	-	12.0	4.5	45	5RD12V

STANDARD TOLERANCE ( UNLESS OTHERWISE SPECIFIED ) <u>±10% ALL VALUES</u> <u>ANGULAR</u> X° ± 5°		<b>BIVAR</b> <sup>®</sup> 4 THOMAS, IRVINE, CA 92618 TEL: (949) 951-8808    FAX: (949) 951-3974	
			
DESIGNED: <b>David Green</b>		DATE: <b>02/01/05</b>	<b>TITLE:</b> T-1 3/4 (5mm) PANEL MOUNT ASSEMBLY, 12V
CHECKED: <b>T. Yin</b>		DATE: <b>02/01/05</b>	<b>PART NO:</b> PM5XX12VWX.X <b>REVISION:</b> A
		<b>CAGE CODE :</b> 32559 <b>SHEET #</b> 2 OF 2	
<small>CAD GENERATED DOCUMENT. DO NOT MEASURE DRAWING.</small>			