

**Type CNA-01**  
**PC Board Type Fuse Clip**  
**3AG – 1/4” (6.35mm) Fuses**  
**Mounting Pins Type – no End Stops**



www.optifuse.com

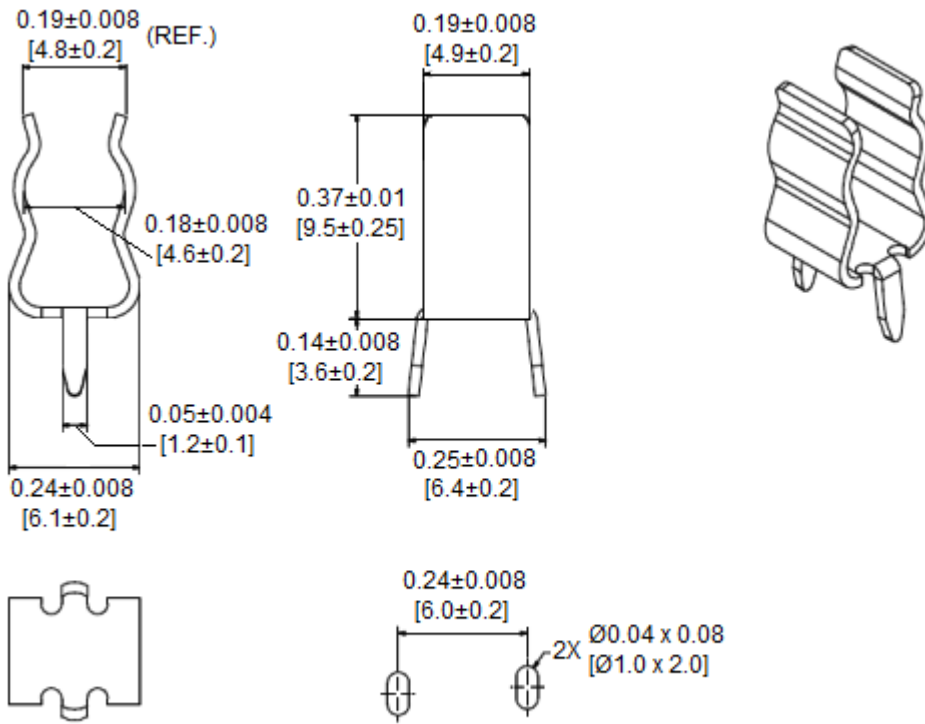
(619) 593-5050

**Specifications:**


- Rating:** 15A, 250V AC
- Body Material:** Phosphor Bronze
- Finish:** Bright Tin-plated
- With Mounting Pins
- No End Stops

For use with 3AG – 1/4” x 1 1/4” (6.35mm x 32mm) Fuses

**Mechanical Dimensions: Inches [mm]**



**Recommended Mounting Holes**

<p><b>Warning:</b></p> 	<ul style="list-style-type: none"> <li>-Operation beyond the specified maximum ratings or improper use may result in damage and possible electrical arcing and/or flame.</li> <li>-Avoid contact of device with chemical solvent. Prolonged contact will damage the device performance.</li> </ul>
--	--

Note: All specifications subject to change without notice.

Rev B 05/2014 - Page: 1/1  
 Code J01-01H