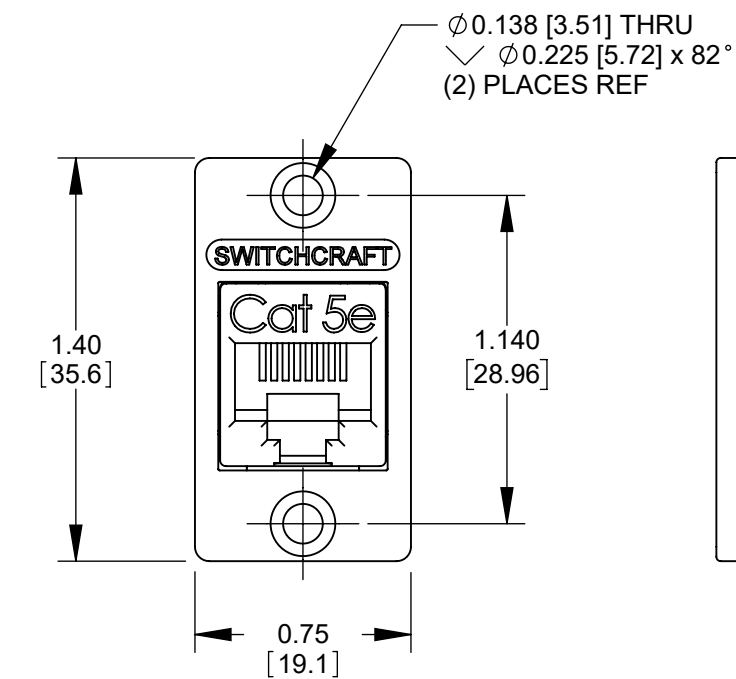
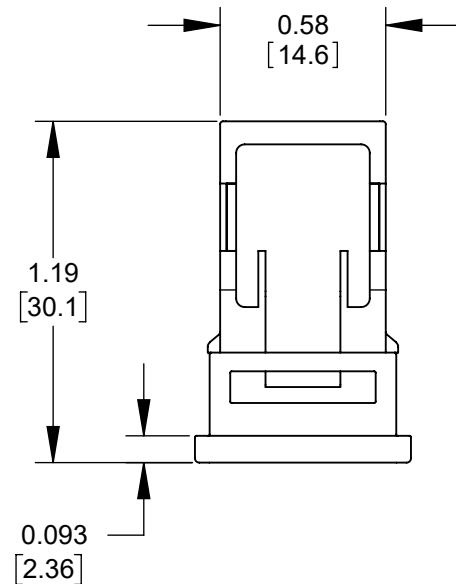
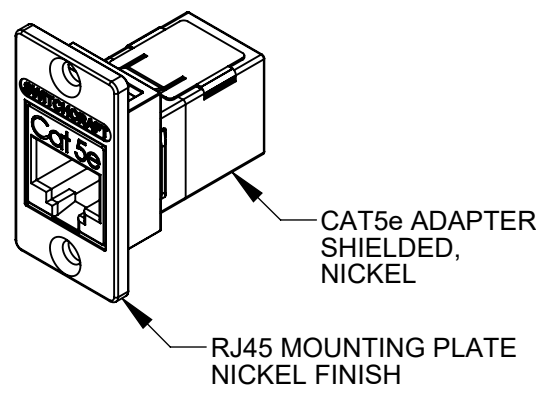


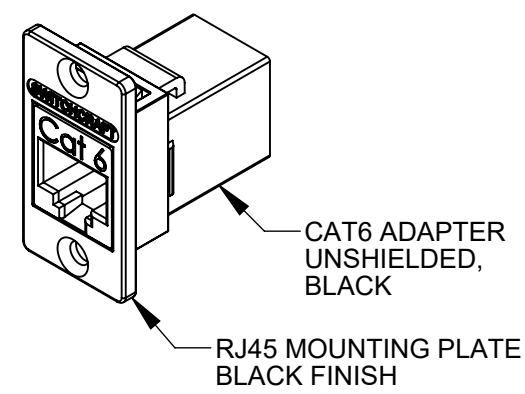
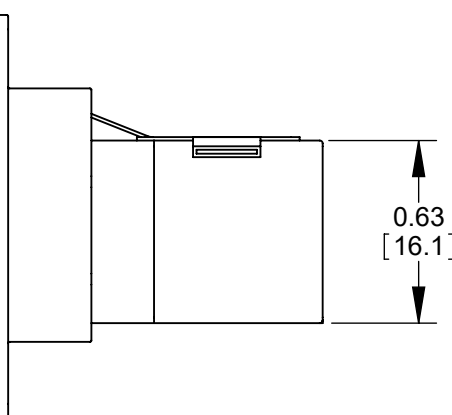
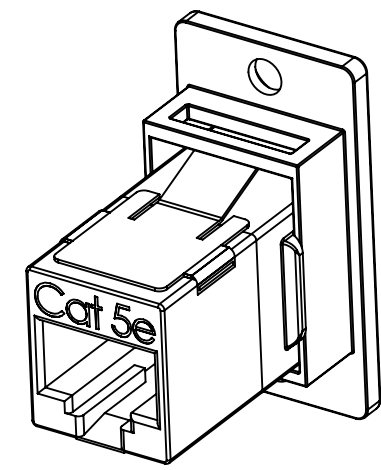
**NHRJ45D5EB**  
UNSHIELDED



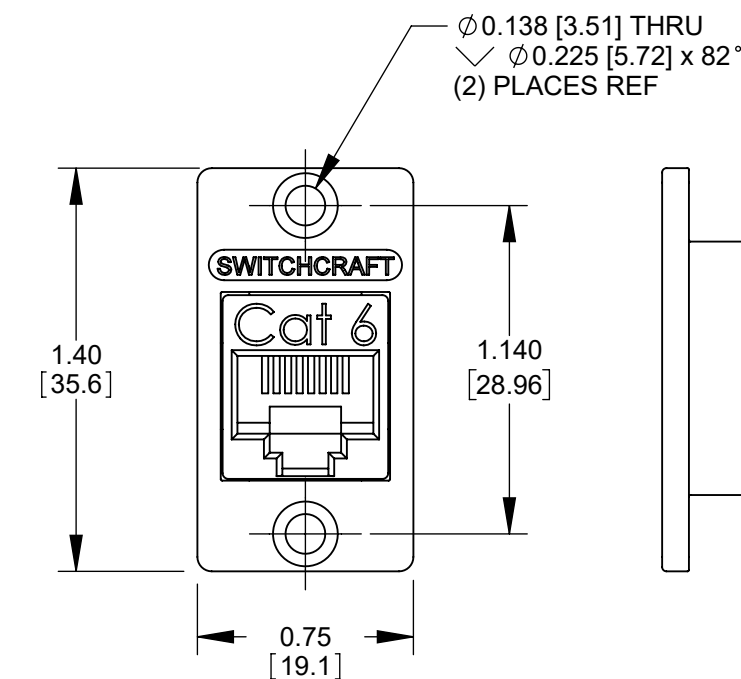
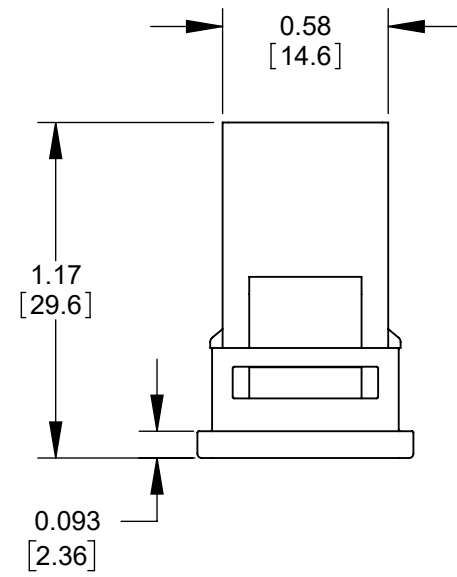
**NHRJ45D5EB - UNSHIELDED**  
**NHRJ45D5ES - SHIELDED (SHOWN)**



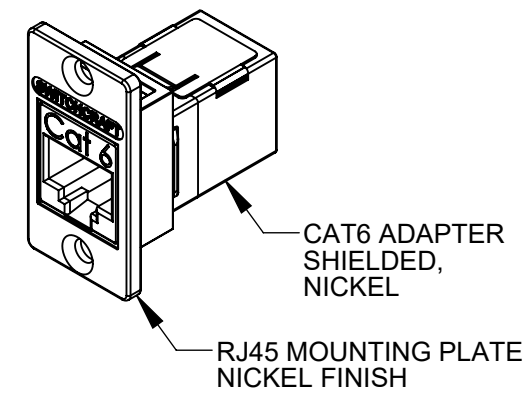
**NHRJ45D5ES**  
SHIELDED



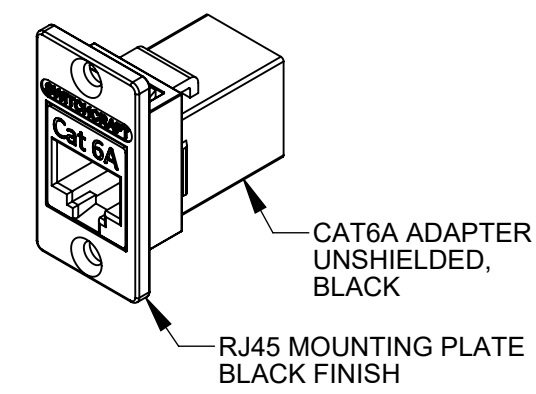
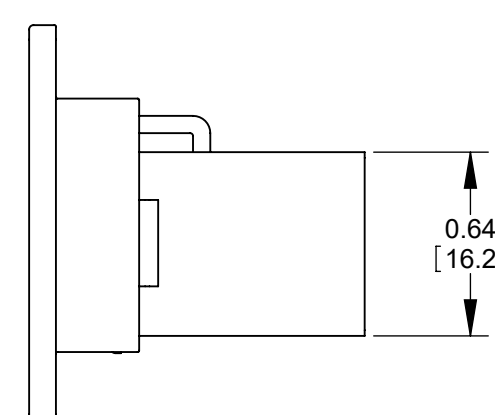
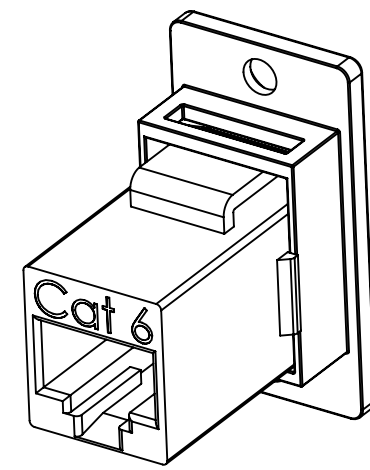
**NHRJ45D6B**  
UNSHIELDED



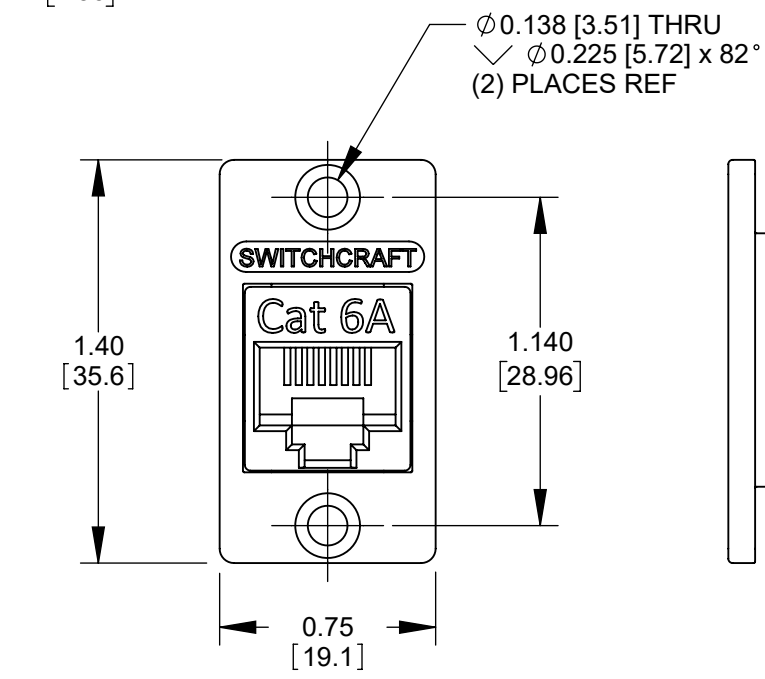
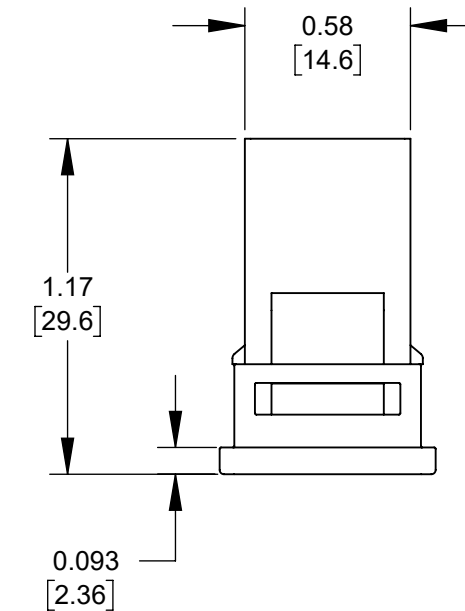
**NHRJ45D6B - UNSHIELDED (SHOWN)**  
**NHRJ45D6S - SHIELDED**



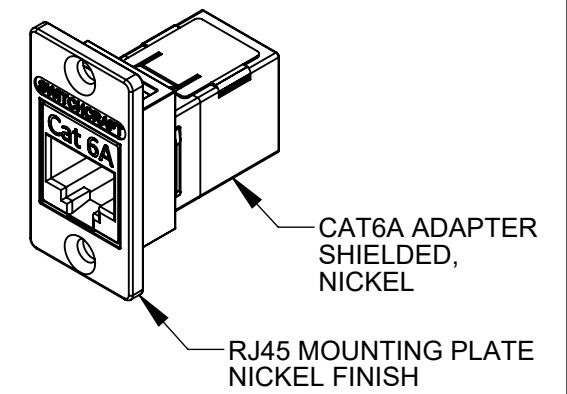
**NHRJ45D6S**  
SHIELDED



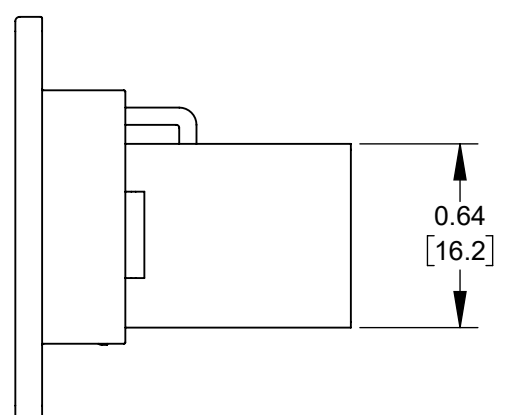
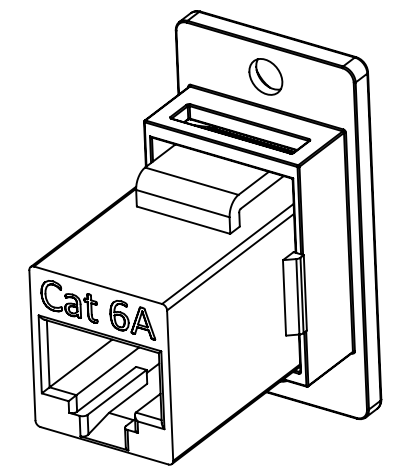
**NHRJ45D6AB**  
UNSHIELDED



**NHRJ45D6AB - UNSHIELDED (SHOWN)**  
**NHRJ45D6AS - SHIELDED**

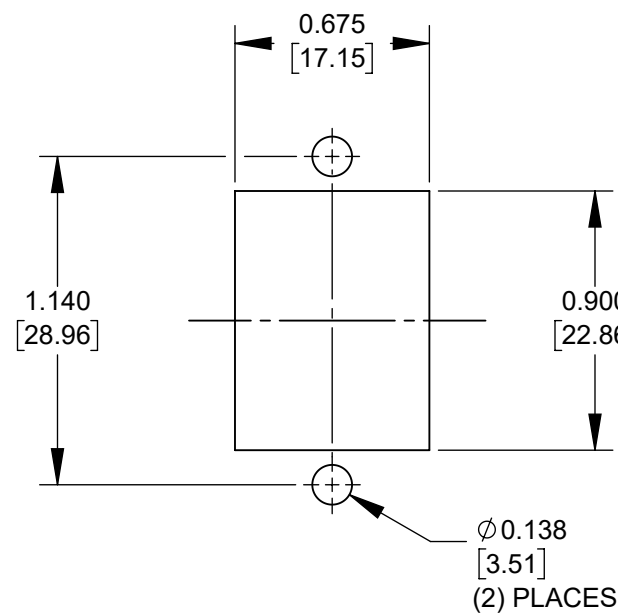


**NHRJ45D6AS**  
SHIELDED



**NOTES:**

- ADAPTER MEETS:  
CAT5e: TIA/EIA-568-B.2 STANDARD  
CAT6: TIA/EIA-568-B.2-1 STANDARD  
CAT6A: TIA/ANSI-568-C.2 STANDARD
- MATERIALS:  
RJ45 MOUNTING PLATE - ZINC ALLOY, BLACK OR NICKEL PLATED  
RJ45 HOUSING - THERMOPLASTIC, BLACK  
RJ45 SHIELD - COPPER ALLOY, NICKEL PLATED
- FOR SCREWS TO BE SHIPPED WITH ASSEMBLY, ADD SUFFIX PKG TO PART NUMBER.
- WHEN MOUNTING ASSEMBLY, USE A SCREW TORQUE OF 10 INCH-LBS MAXIMUM.
- THIS PRODUCT IS RoHS COMPLIANT.



**RECOMMENDED  
PANEL CUT-OUT**

PART NUMBER	RJ45 ADAPTER
NHRJ45D5EB	CAT5e UNSHIELDED
NHRJ45D5ES	CAT5e SHIELDED
NHRJ45D6B	CAT6 UNSHIELDED
NHRJ45D6S	CAT6 SHIELDED
NHRJ45D6AB	CAT6A UNSHIELDED
NHRJ45D6AS	CAT6A SHIELDED

**CUSTOMER DRAWING**

UNLESS OTHERWISE SPECIFIED				THIS DRAWING DESCRIBES A DESIGN CONSIDERED PROPRIETARY IN NATURE, DEVELOPED AND MANUFACTURED BY SWITCHCRAFT INC. AND IS RELEASED ON A CONFIDENTIAL BASIS FOR IDENTIFICATION PURPOSES ONLY.			
1. ALL DIMENSIONS IN INCHES [mm]		SIZE	WIDTH	MULT	LBS/M	TEMPER	
- TWO PLACE DECIMALS ±0.02 [0.5]		FINISH SPEC No.		MATERIAL SPEC No.			
- THREE PLACE DECIMALS ±0.005 [0.13]		FIRST USED ON		SCALE 1.5:1			
DATE DRAWN	BY	CHKD	APVD	<b>Switchcraft®</b>			
7/30/21	NS	7/30/21	7/30/21				
NAME				SHEET 1 OF 1			
NH SERIES RJ45 ADAPTER, RoHS				PART No. NHRJ45D SERIES		REV A	
REVISIONS				DO NOT SCALE DRAWING			
REV	ECO NUMBER	DATE	BY	APVD			
A	28424	09/02/21	PC	TJK			