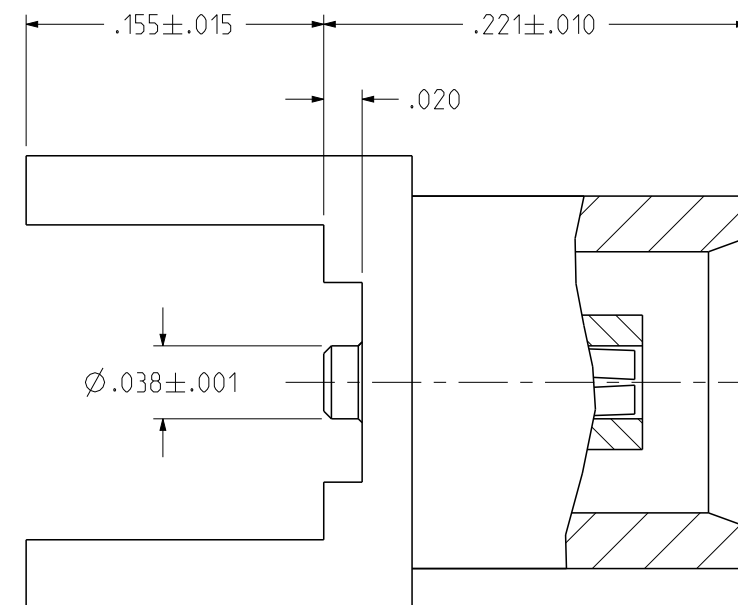
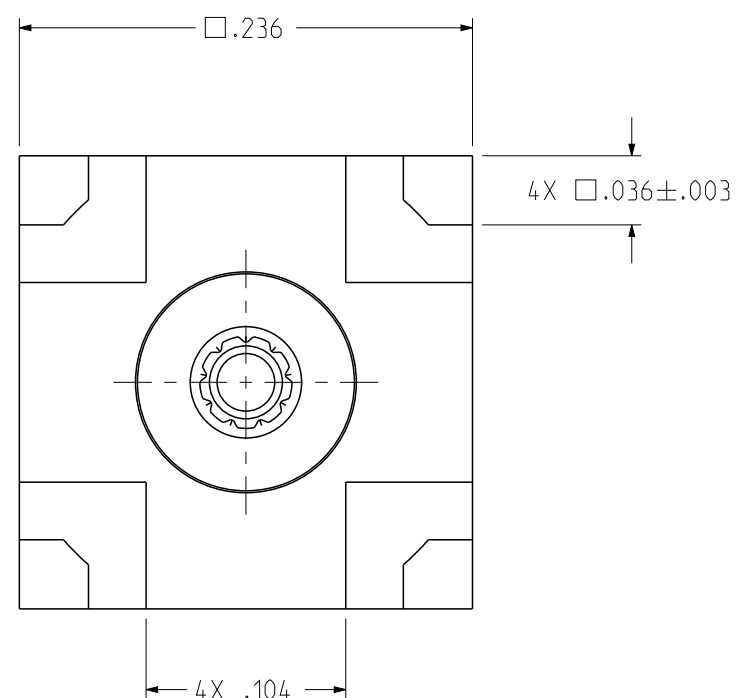


| REV | ECO             | DATE      |
|-----|-----------------|-----------|
| 1   | INITIAL RELEASE | 02JUL2020 |
|     |                 |           |
|     |                 |           |



NOTES: UNLESS OTHERWISE SPECIFIED.

1. MATERIAL & FINISH:

- 1.1 BODY: (133-3701-291) GOLD PLATED BRASS
- 1.2 INSULATORS: PTFE (TEFLON)
- 1.3 CENTER CONTACT: GOLD PLATED BERYLLIUM COPPER

2. ELECTRICAL SPECIFICATIONS:

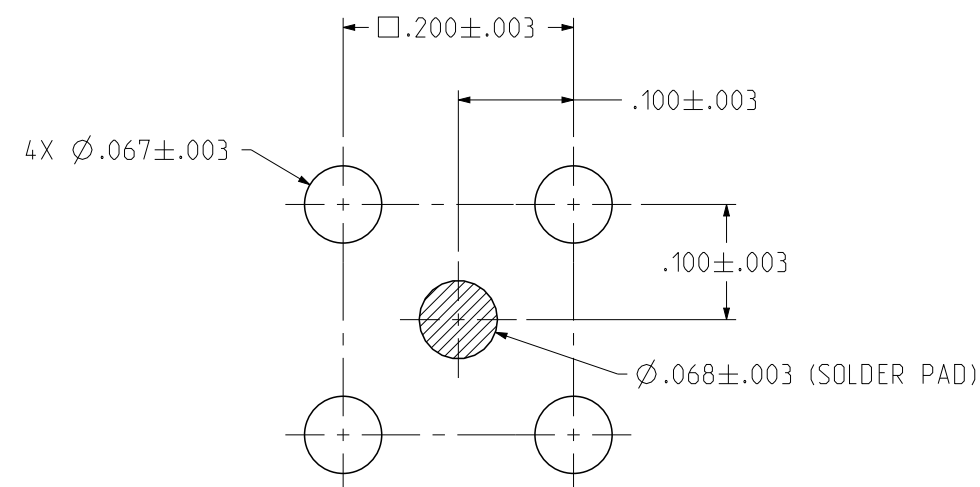
- 2.1 IMPEDANCE: 50 OHMS
- 2.2 FREQUENCY RANGE: 0 - 6 GHz
- 2.3 WORKING VOLTAGE: 335 VRMS MAX AT SEA LEVEL
- 2.4 DIELECTRIC WITHSTANDING VOLTAGE: 1000 VRMS MIN AT SEA LEVEL
- 2.5 INSULATION RESISTANCE: 10000 MEGOHM MIN
- 2.6 CONTACT RESISTANCE:
  - CENTER CONTACT - INITIAL 5 MILLIOHM MAX, AFTER ENVIRONMENTAL 8 MILLIOHM MAX
  - OUTER CONDUCTOR - GOLD AND SILVER PLATED INITIAL 1 MILLIOHM MAX, AFTER ENVIRONMENTAL 1.5 MILLIOHM MAX NICKEL PLATED INITIAL 2.5 MILLIOHM MAX, AFTER ENVIRONMENTAL 3.5 MILLIOHM MAX
- 2.7 CORONA LEVEL: 250 VOLTS MIN AT 70,000 FEET
- 2.8 RF HIGH POTENTIAL WITHSTANDING VOLTAGE: 600 VRMS AT 4 AND 7 MHz

3. MECHANICAL SPECIFICATIONS:

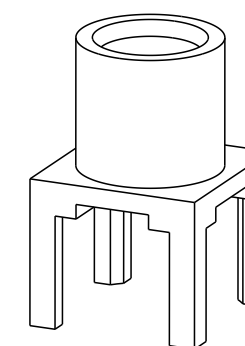
- 3.1 ENGAGE/DISENGAGE FORCE: 5.6 LBS MAX ENGAGEMENT  
1.0 LBS MIN DISENGAGEMENT  
8.0 LBS MAX DISENGAGEMENT
- 3.2 CONTACT RETENTION FORCE: 2.3 LBS MIN
- 3.3 DURABILITY: 500 CYCLES MIN

4. ENVIRONMENTAL:

- 4.1 (MEETS OR EXCEEDS THE APPLICABLE PARAGRAPH OF MIL-PRF-39012)
- 4.2 THERMAL SHOCK: MIL-STD-202, METHOD 107, CONDITION F
- 4.3 OPERATING TEMPERATURE: -65 DEG C TO 165 DEG C
- 4.4 CORROSION: MIL-STD-202, METHOD 101, CONDITION B
- 4.5 SHOCK: MIL-STD-202, METHOD 213, CONDITION B
- 4.6 VIBRATION: MIL-STD-202, METHOD 204, CONDITION B
- 4.7 MOISTURE RESISTANCE: MIL-STD-202, METHOD 106



MOUNTING HOLE LAYOUT



SCALE 4:1

|  |   |  |   |
|--|---|--|---|
|  | Model No. 133-3701-291/299  | JOHNSON  |   |
|  | RoHS <input checked="" type="checkbox"/> (EU)/2015/863 COMPLIANT<br>UNLESS OTHERWISE SPECIFIED<br>.XX ± .01<br>.XXX ± .003<br>.XXXX ± .0010<br>ANGLE ± 2° | Cage Code<br>3RD ANGLE PROJECTION<br>Drawn by: Roman.Yao<br>Date: 7/2/2020 | Title: JACK ASSEMBLY<br>STRAIGHT SURFACE MOUNT MCX<br>Drawing No. 133-3701-291/299<br>Size B DO NOT SCALE DRAWING<br>Workmanship Std/Sheet NONE<br>1 OF 1 |