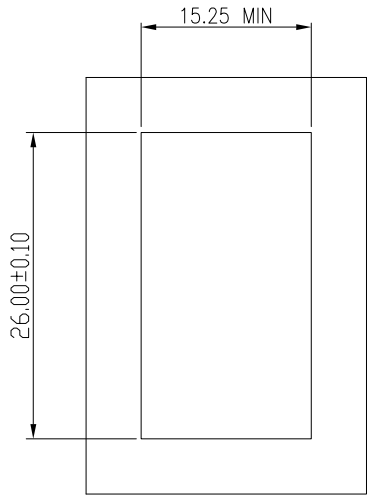
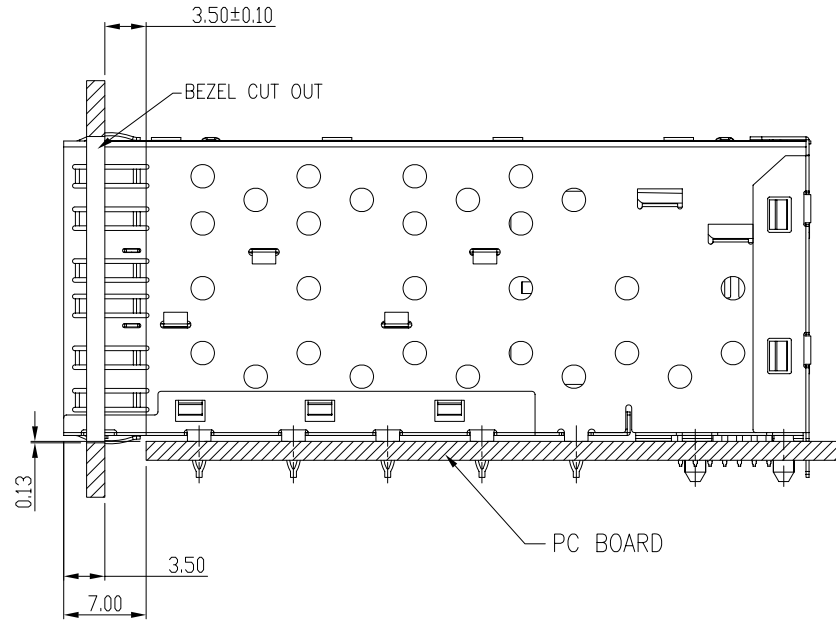


Qty Per:	TRAY	CARTON		
	16	96		
PART NUMBER		STATEMENT		
SFPO-3047-L		W/O LIGHT PIPES		
No.	DESCRIPTION	Q'ty	MATERIAL	PLATING
01	SFP CAGE (Non-Logo)	1	COPPER ALLOY	NICKEL
02	CONNECTOR	1	HIGH TEMP/COPPER ALLOY	GOLD

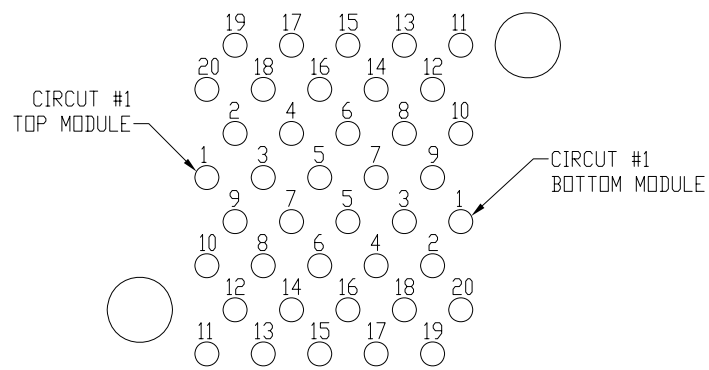
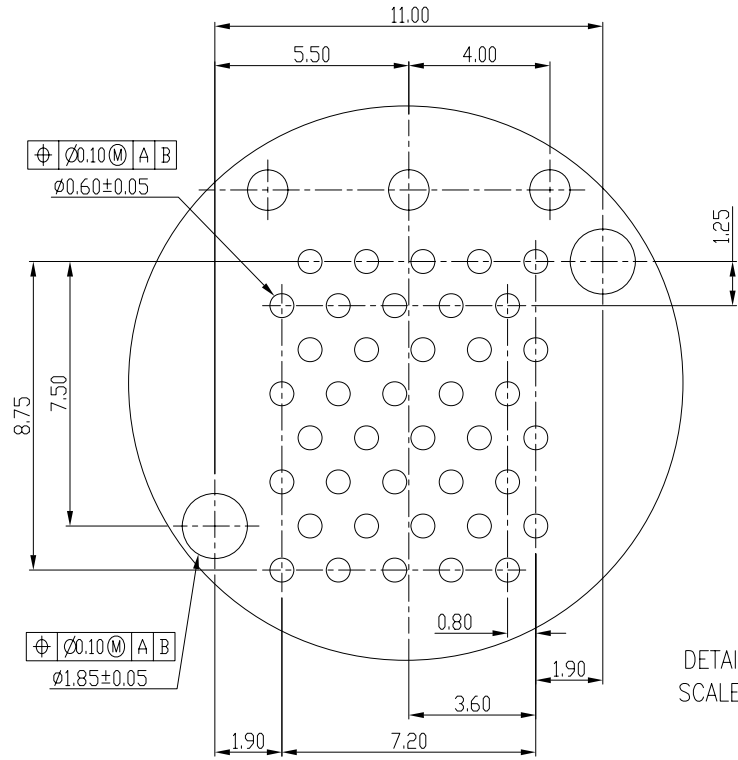
DETACHED LISTS	MM (INCH)	RoHS Compliant	Pulse A TECHNITROL COMPANY	
	TOLERANCES EXCEPT AS NOTED	TITLE		
	MM .0 ± 0.25 ± .00 ± 0.20 ± .000 ± 0.10 ±	W/O LIGHT PIPES		
	ANGLES ± 0.5	SFP 2 BY 1 CAGE+CONNECTOR_S		
THIRD ANGLE PROJECTION	DFTD Yican	DRAWING NO. CSFP0-3047-L	SIZE	REV
	DATE 4/19/10	/PART NO. SFPO-3047-L	A3	4
	SCALE : 2:1	DO NOT SCALE DRAWING	SHEET 1	OF 3



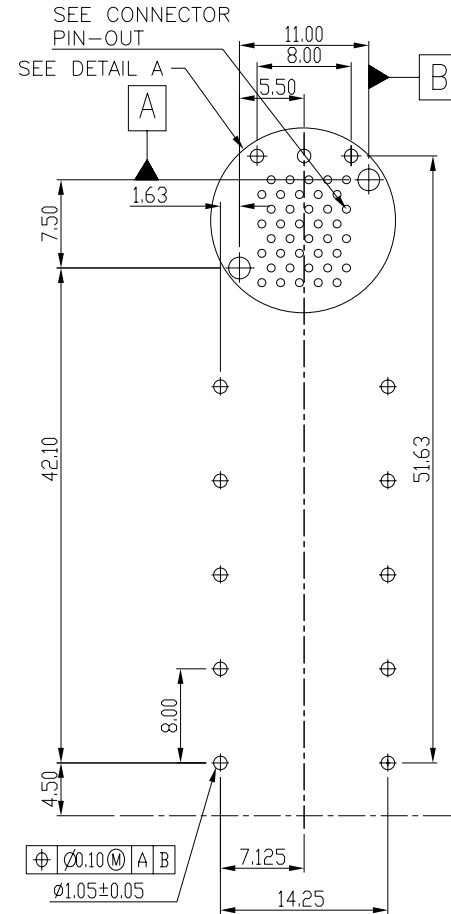
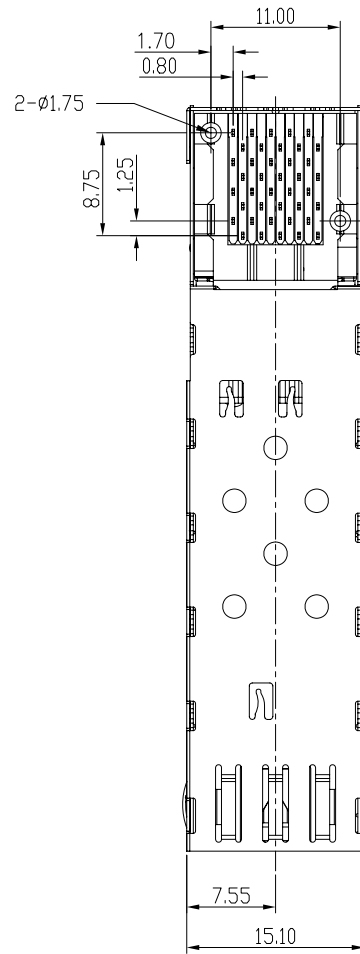
BEZEL CUT-OUT CENTER SPACING DETAIL
BEZEL THICKNESS:0.8-2.6



← MM (INCH) → TOLERANCES EXCEPT AS NOTED		RoHS Compliant				
DETACHED LISTS	MM		TITLE			
	.0 ± 0.25	±	SFP 2 BY 1 CAGE+CONNECTOR_S			
	.00 ± 0.20	±	W/O LIGHT PIPES			
	.000 ± 0.10	±	DRAWING NO. CSFP0-3047-L			
ANGLES ± 0.5				SIZE	REV	
 THIRD ANGLE PROJECTION		DATE 4/19/10		A3	4	
SCALE : 2:1		DO NOT SCALE DRAWING		SHEET 2 OF 3		



CONNECTOR PIN-OUT
COMPONENT SIDE OF BOARD



<p>MM (INCH)</p> <p>TOLERANCES EXCEPT AS NOTED</p> <p>MM .0 ± 0.25 ± .00 ± 0.20 ± .000 ± 0.10 ±</p> <p>ANGLES ± 0.5</p>		<p>RoHS Compliant</p> <p>Pulse A TECHNITROL COMPANY</p>	
<p>TITLE</p> <p>SFP 2 BY 1 CAGE+CONNECTOR_S</p>		<p>W/O LIGHT PIPES</p>	
<p>DFTD Yican</p> <p>DATE 4/19/10</p>		<p>DRAWING NO. CSFP0-3047-L</p> <p>/PART NO. SFP0-3047-L</p>	
<p>THIRD ANGLE PROJECTION</p> <p>SCALE : 2:1</p>		<p>SIZE REV</p> <p>A3 4</p> <p>DO NOT SCALE DRAWING SHEET 3 OF 3</p>	