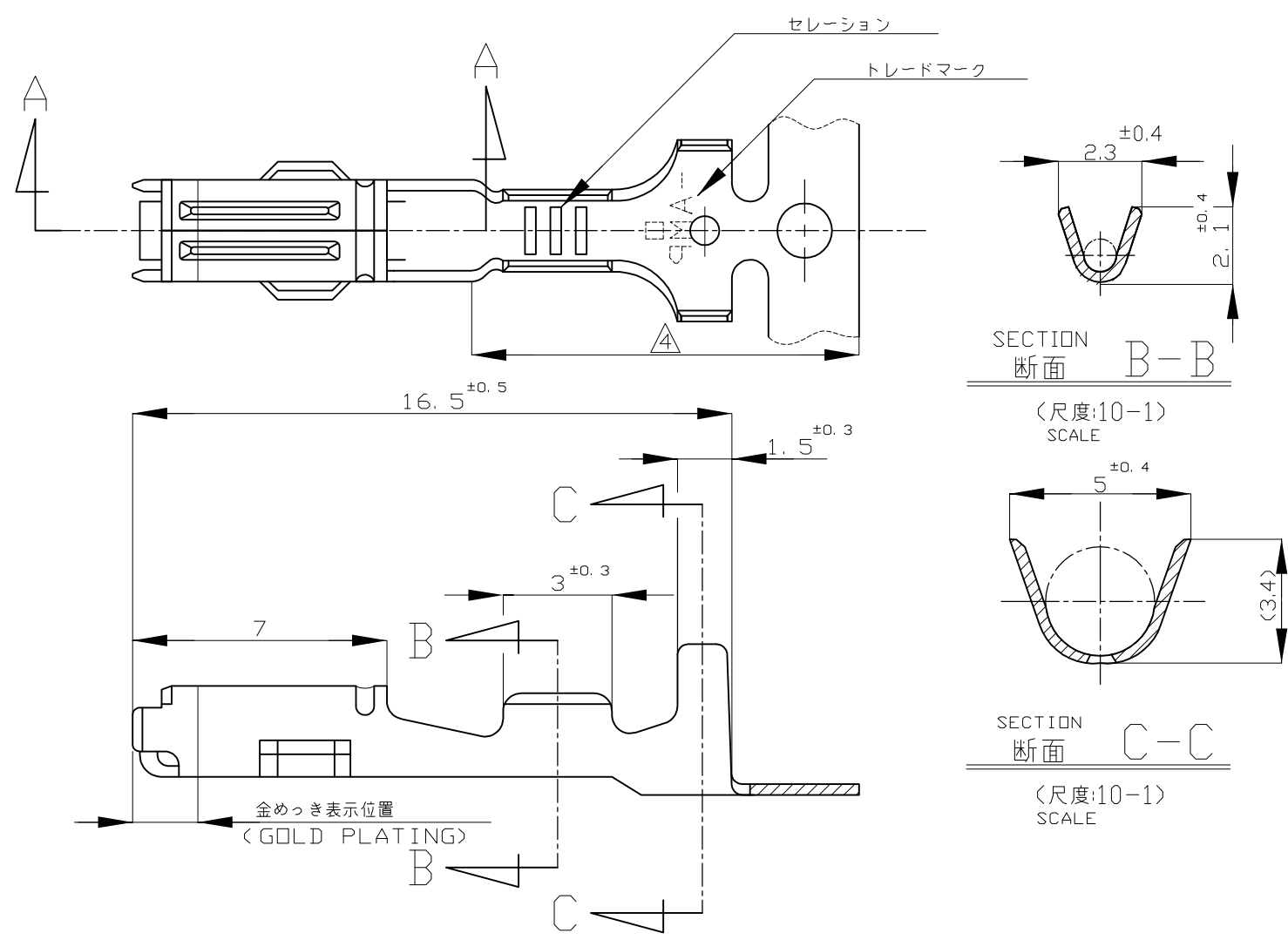


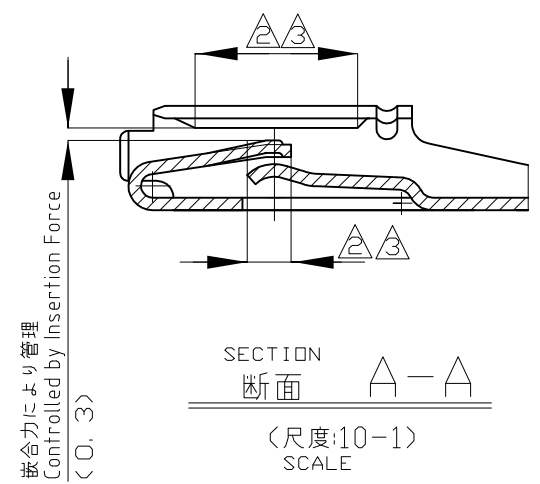
THIS DRAWING IS UNPUBLISHED. RELEASED FOR PUBLICATION
 © COPYRIGHT - By - ALL RIGHTS RESERVED.

REVISIONS 変更					
P	LTR	DESCRIPTION	DATE	DWN	APVD
E4	REVISED	ECR-17-010634	21JUL2017	TS	HY



- 注
1. 嵌合相手端子型番 ; 171631
 - △部分金めっき 0.38 μm 最小
 - △部分金めっき 1.27 μm 最小
 - △部分半田めっき 2.0 μm 最小
 5. 一般公差 : 10以下±0.2 10以上30以下±0.25 30以上100以下±0.3 角度±3°

- NOTE ;
1. TAB CONTACT ; 171631
 - △ SELECTIVE GOLD PLATING 0.38 μm MIN.
 - △ SELECTIVE GOLD 1.27 μm MIN.
 - △ SELECTIVE TIN-LEAD PLATING 2.0 μm MIN.
 5. TOLERANCES UNLESS OTHERWISE SPECIFIED.
10MAX : ±0.2 10-30 : ±0.25 30-100 : ±0.3 ANGLES : ±3°



OBSOLETE	SELECTIVE GOLD PLATING 部分金めっき △△	PHOS-BRONZE t = 0.3 リン青銅 板厚 0.3	171630-6
	SELECTIVE GOLD PLATING 部分金めっき △	PHOS-BRONZE t = 0.3 リン青銅 板厚 0.3	171630-5
	PRE-TIN 錫めっき済 (0.76 μm MIN.)	PHOS-BRONZE t = 0.3 リン青銅 板厚 0.3	171630-2
	PRE-TIN 錫めっき済 (0.76 μm MIN.)	BRASS t = 0.3 黄銅 板厚 0.3	171630-1
	FINISH 仕上	MATERIAL 材料	PART NUMBER 型番

適合電線断面積 (WIRE RENG)	被覆外径 (INSULATION DIA)
AVS 0.2-0.5mm ² (AWG24-20)	1.4-2.4mmφ

THIS DRAWING IS A CONTROLLED DOCUMENT.

DIMENSIONS: 単位: 耗 mm	TOLERANCES UNLESS OTHERWISE SPECIFIED: 一般公差	DWN D.MATSUURA 24OCT07	TE Connectivity
	0 PLC ± - 1 PLC ± - 2 PLC ± - 3 PLC ± - 4 PLC ± - ANGLES ± -	CHK T.KOHNO 24OCT07	
		APVD Y.FUJIWARA 24OCT07	
		PRODUCT SPEC 製品規格 108-5262	
MATERIAL 材料 SEE TABLE	FINISH 仕上 SEE TABLE	APPLICATION SPEC 取付適用規格 114-5082	NAME 名称 -
		WEIGHT 0.35 g	PRODUCT SPEC 製品規格 ECONOSEAL J MK-II CONN RECEPTACLE CONTACT
		CUSTOMER DRAWING	SIZE A3
			CAGE CODE 00779
			DRAWING NO 番号 C-171630
			RESTRICTED TO -
			SCALE 尺度 5:1
			SHEET 1 OF 1
			REV E4