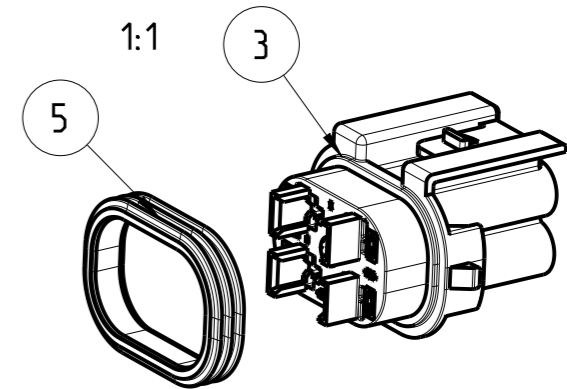
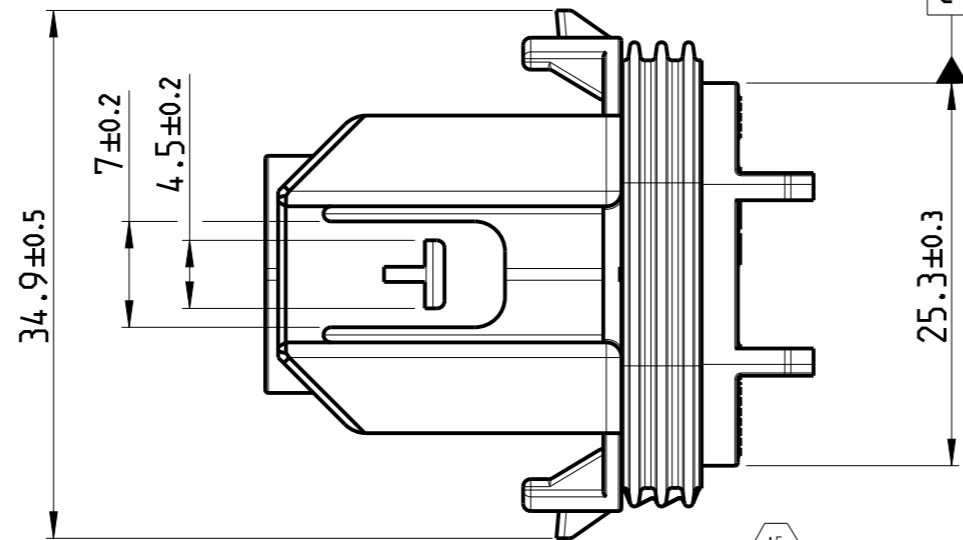
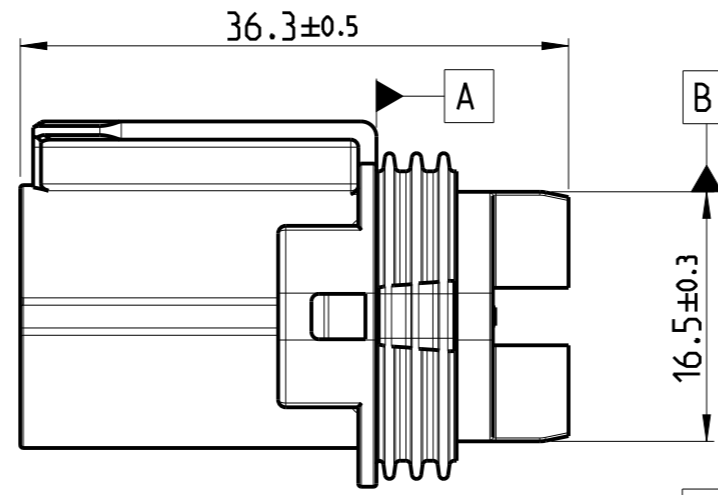
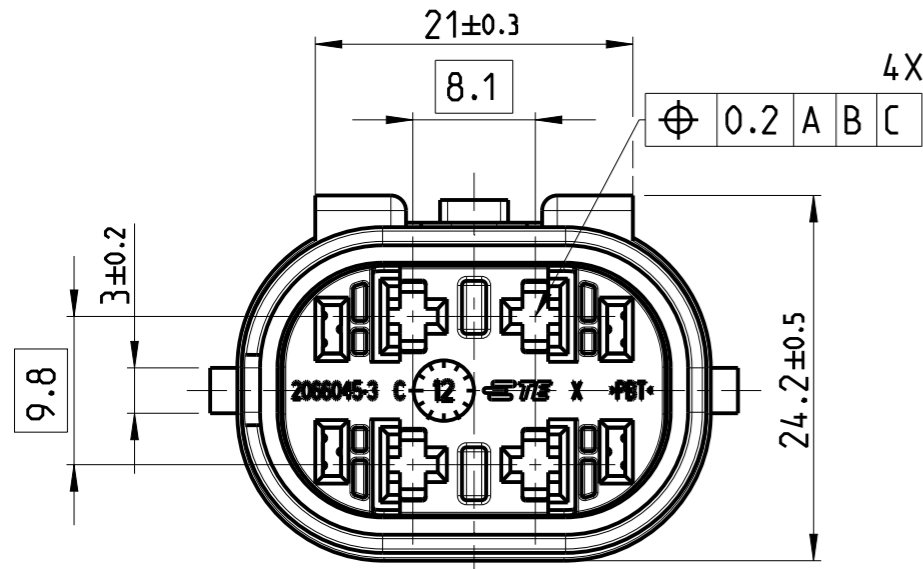


THIS DRAWING IS UNPUBLISHED  
 RELEASED FOR PUBLICATION  
 2012  
 © COPYRIGHT 2012 TE Connectivity India Ltd. ALL RIGHTS RESERVED.

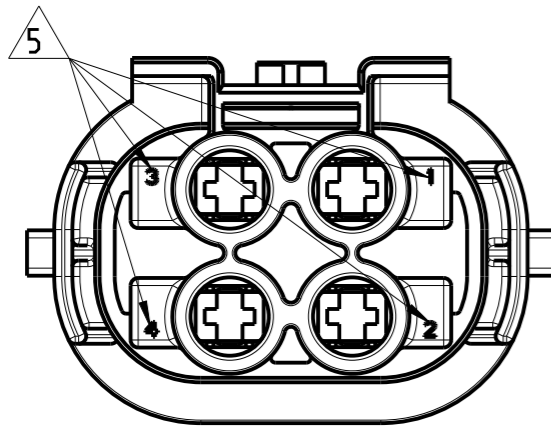
LOC	DIST	REVISIONS					
IT	-	P	LTR	DESCRIPTION	DATE	DWN	APVD
			A2	ECR-17-001057	24 JAN2017	CS	DH
			A3	ECR-19-014924	24 SEP2019	STK	DH
			A4	ECO-20-016025/ ECO-20-016231	09 NOV2020	STK	VVB
			A5	PCN: E-21-003499	24 MAR2021	AP	DH



- NOTES :-
- NO SCORES. DUST ON SEAL RING ARE PERMISSIBLE
  - REFER CONTACT PN: 968882, 968855, 968857.
  - REFER WIRE SEAL PN: 828904, 828905.
  - MATING COVER PN : 1-2066502-1, -2, -3, -4.
  - CAVITY MARKING : 1, 2, 3 & 4.
  - REFER APPLICATION SPEC FOR STANDARD CLIP OFFERINGS.

A5 2066046-3 AS SHOWN

ACTIVE				SUPERSEDED BY 2066046-4		SUPERSEDED BY 2066046-3		← PART STATUS			
				← ASSEMBLY PART NUMBERS							
-4	-3	-2	-1								
1	1	1	1			D	1544767-1	2-WAY 8mm NGI INTERFACIAL SEAL	SILICON	5	
1	-	-	-			C	2066045-4	2POS MINIFUSE BOX HOUSING	PBT	4	
-	1	-	-			C	2066045-3	2POS MINIFUSE BOX HOUSING	PBT	3	
-	-	1	-			B	2066045-2	2POS MINIFUSE BOX HOUSING	PBT	2	
-	-	-	1			B	2066045-1	2POS MINIFUSE BOX HOUSING	PBT	1	
QTY				REV		PART NO.		DESCRIPTION		MATERIAL ITEM	



THIS DRAWING IS A CONTROLLED DOCUMENT.

DWN RAMESH, S 14 AUG 2012  
 CHK VINAY, S 14 AUG 2012  
 APVD MADHU, J 14 AUG 2012

DIMENSIONS: mm  
 TOLERANCES UNLESS OTHERWISE SPECIFIED: DIN 16901-140

0 PLC  
 1 PLC  
 2 PLC  
 3 PLC  
 4 PLC  
 ANGLES ±1°

MATERIAL SEE TABLE FINISH -

PRODUCT SPEC 108-72108  
 APPLICATION SPEC 114-72110  
 WEIGHT -

CUSTOMER DRAWING

NAME 2 POS SEALED MINIFUSE BOX HOUSING ASSY

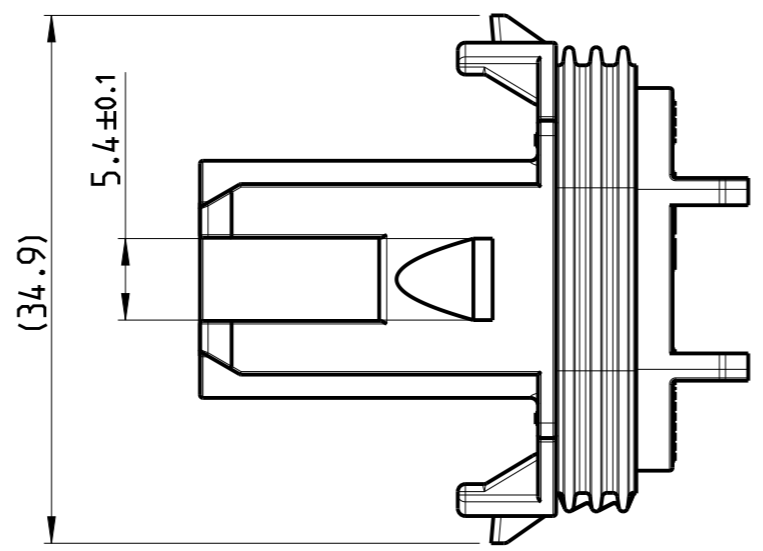
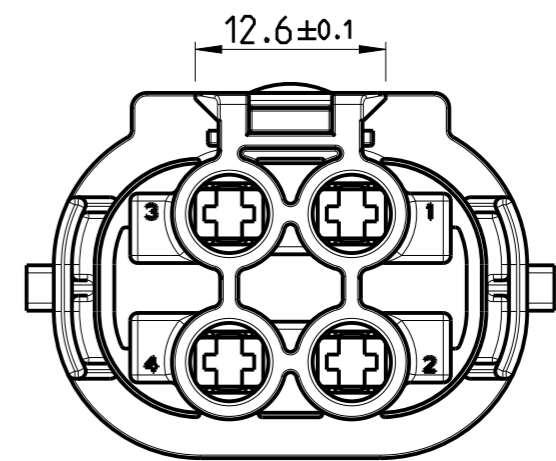
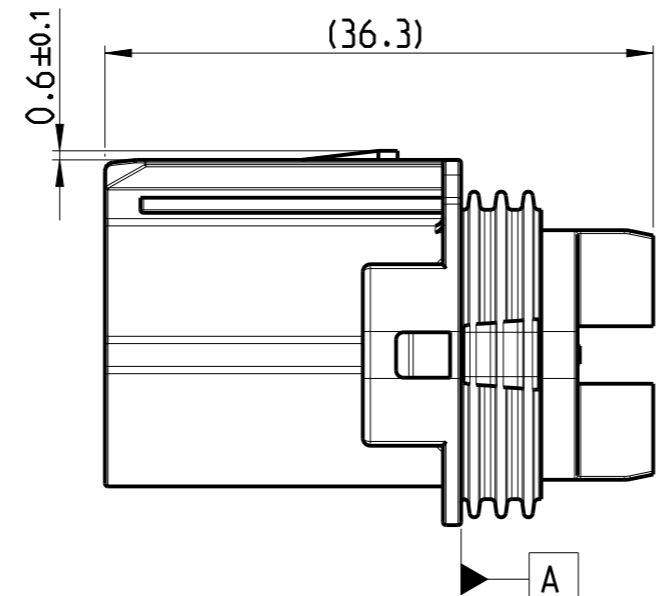
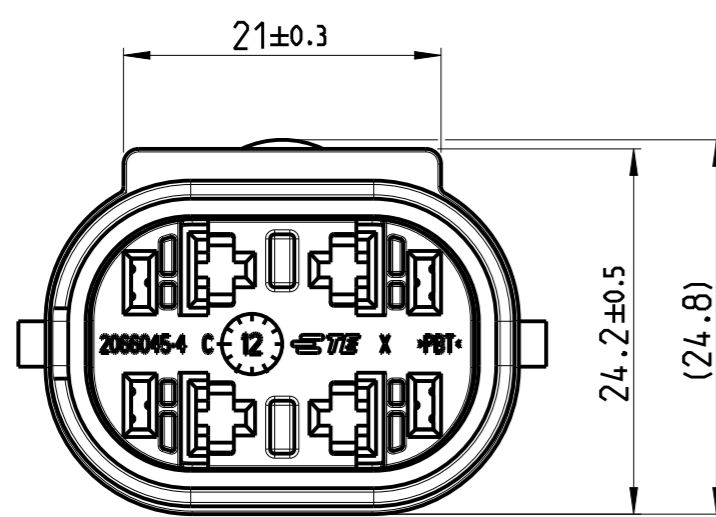
SIZE A3 CAGE CODE 00779 DRAWING NO C-2066046 RESTRICTED TO

SCALE 2:1 SHEET 1 OF 3 REV A5

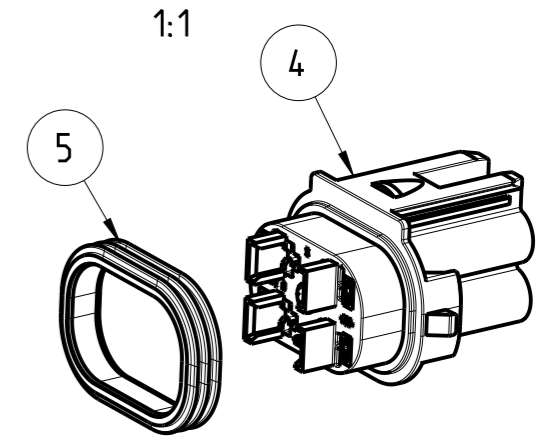
TE Connectivity

THIS DRAWING IS UNPUBLISHED  
 RELEASED FOR PUBLICATION 2012  
 © COPYRIGHT 2012 TE Connectivity India Ltd. ALL RIGHTS RESERVED.

LOC	DIST	REVISIONS					
		P	LTR	DESCRIPTION	DATE	DWN	APVD
IT	-	-	-	SEE SHEET 1	-	-	-



A5 2066046-4 AS SHOWN



THIS DRAWING IS A CONTROLLED DOCUMENT.		DWN RAMESH, S 14 AUG 2012	<b>TE Connectivity</b>	
DIMENSIONS: mm		CHK VINAY, S 14 AUG 2012		
TOLERANCES UNLESS OTHERWISE SPECIFIED: DIN 16901-140		APVD MADHU, J 14 AUG 2012	NAME 2 POS SEALED MINIFUSE BOX HOUSING ASSY	
		PRODUCT SPEC 108-72108	SIZE A3	
MATERIAL SEE TABLE		APPLICATION SPEC 114-72110	CAGE CODE 00779	DRAWING NO C-2066046
FINISH -		WEIGHT -	RESTRICTED TO	
		CUSTOMER DRAWING	SCALE 5:1	SHEET 2 OF 3
			REV A5	

THIS DRAWING IS UNPUBLISHED.

RELEASED FOR PUBLICATION

2012

© COPYRIGHT 2012

TE Connectivity India Ltd.

ALL RIGHTS RESERVED.

LOC IT DIST -

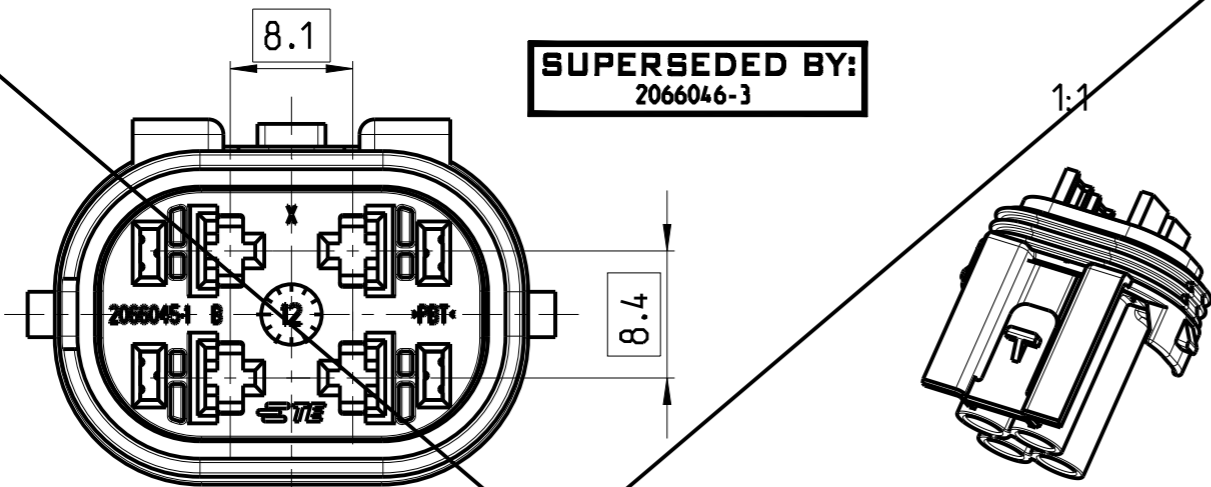
REVISIONS

P	LTR	DESCRIPTION	DATE	DWN	APVD
-	-	SEE SHEET 1	-	-	-

2066046-1

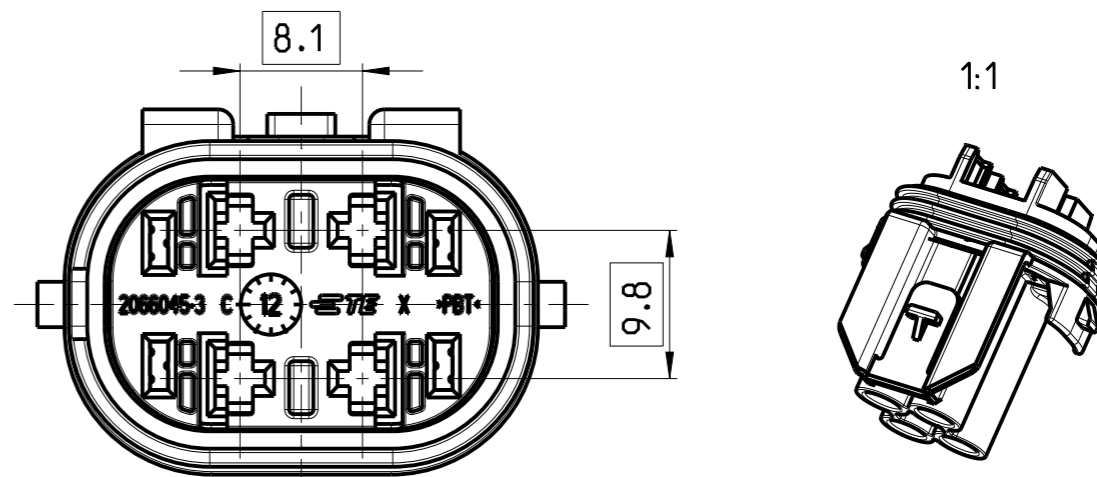
A4

**SUPERSEDED BY:**  
2066046-3



2066046-3

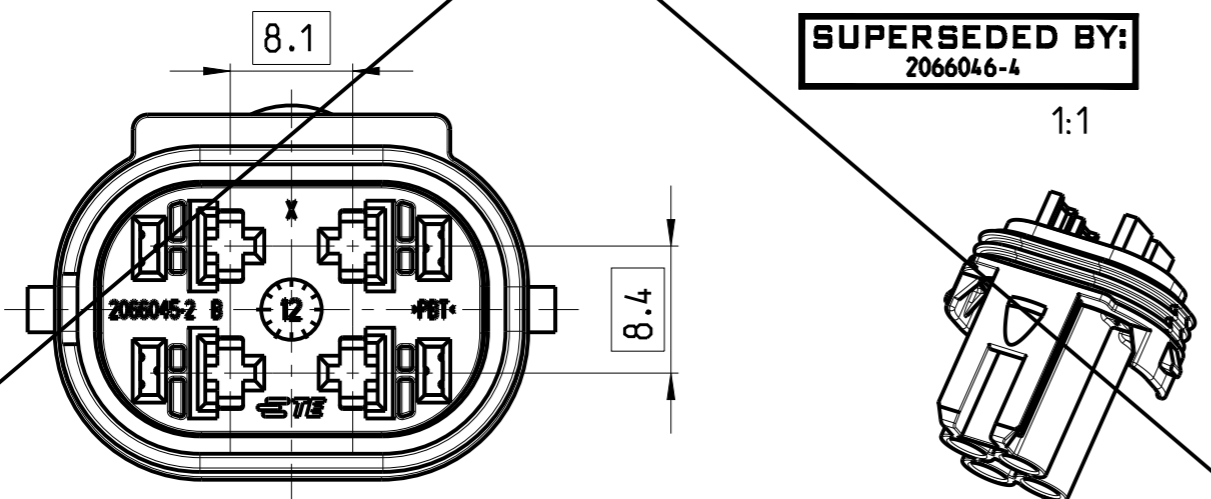
A3



2066046-2

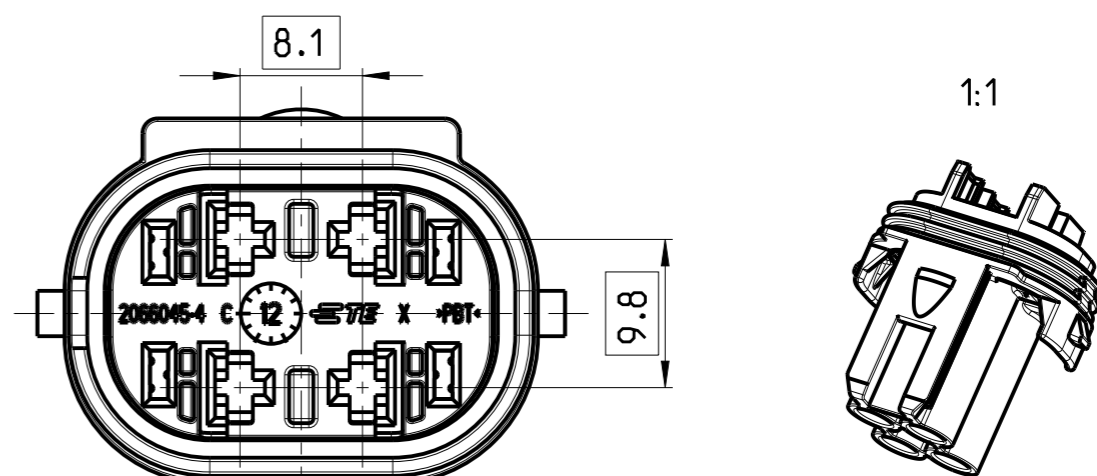
A4

**SUPERSEDED BY:**  
2066046-4



2066046-4

A3



THIS DRAWING IS A CONTROLLED DOCUMENT.

DIMENSIONS:	TOLERANCES UNLESS OTHERWISE SPECIFIED:
mm	
	0 PLC ±
	1 PLC ±
	2 PLC ±
	3 PLC ±
	4 PLC ±
	ANGLES ±°

MATERIAL SEE TABLE

FINISH	-
--------	---

DWN	RAMESH, S	14 AUG 2012
CHK	VINAY, S	14 AUG 2012
APVD	MADHU, J	14 AUG 2012
PRODUCT SPEC	108-72108	
APPLICATION SPEC	114-72110	
WEIGHT	-	

TE Connectivity		NAME		RESTRICTED TO
		2 POS SEALED MINIFUSE BOX HOUSING ASSY		
SIZE	CAGE CODE	DRAWING NO		
A3	00779	C-2066046		

CUSTOMER DRAWING SCALE 2:1 SHEET 3 OF 3 REV A5