

## Features

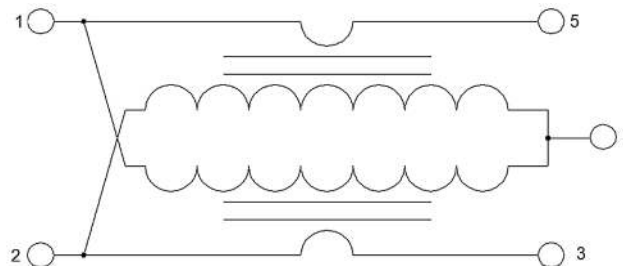
- Coupling 14 dB Typical
- Surface mount
- Low profile
- 260°C reflow compatible
- Available on Tape & Reel
- Suitable for DOCSIS 3.1
- RoHS compliant and Pb free
- Very wide band of operation
- Available on tape and reel



## Description

MACP-011031 is a wire wound ferrite based 14dB coupler in a low cost surface mount package. Ideally suited for CATV Broadband applications.

## Functional Schematic



## Ordering Information

Part Number	Package
MACP-011031	Tape and Reel
MACP-011031-TB	Sample Board

## Pin Configuration

Pin No.	Function
1	Isolated
2	Output
3	Input
4	Ground
5	Coupled

## 14dB Coupler 5 - 3250 MHz

V1

**Electrical Specifications:  $P_{in} = 0\text{dBm}$ ,  $T_A = 25^\circ\text{C}$ ,  $Z_0 = 75 \Omega$**

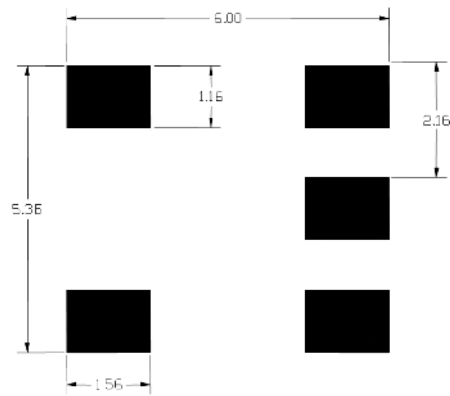
Parameter	Conditions	Units	Min	Typ	Max
Frequency Range		MHz	5	-	3250
Impedance		$\Omega$	-	75	-
Coupling Pin3-5	5 - 3250 MHz	dB	13	14.5	15.6
Main Line Loss Pin3-2	5 - 1500 MHz	dB	-	1.0	1.4
	1500 - 3250 MHz	dB	-	2.0	3.6
Input Return Loss Pin3	5 - 1000 MHz	dB	17	21	-
	1000 - 3250 MHz	dB	10	17	-
Output Return Loss Pin2	5 - 1000 MHz	dB	17	26	-
	1000 - 3250 MHz	dB	11	15	-
Coupling Return Loss Pin5	5 - 1000 MHz	dB	15	21	-
	1000 - 3250 MHz	dB	7	14	-
Isolation Pin3-1	5 - 1000 MHz	dB	27	36	-
	1000 - 3250 MHz	dB	15	22	-

### Recommended Maximum Ratings

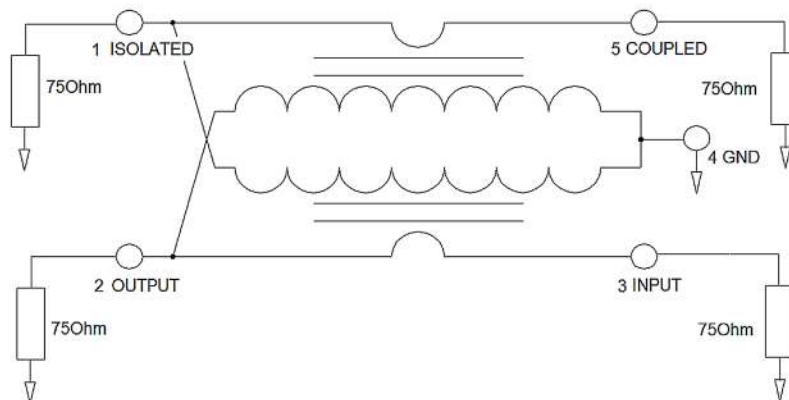
Parameter	Units	Min	Max
Input Power	mW	-	500
DC Current	mA	-	500
Operating Temperature Range	$^\circ\text{C}$	-40	+85

Temperature data available on request

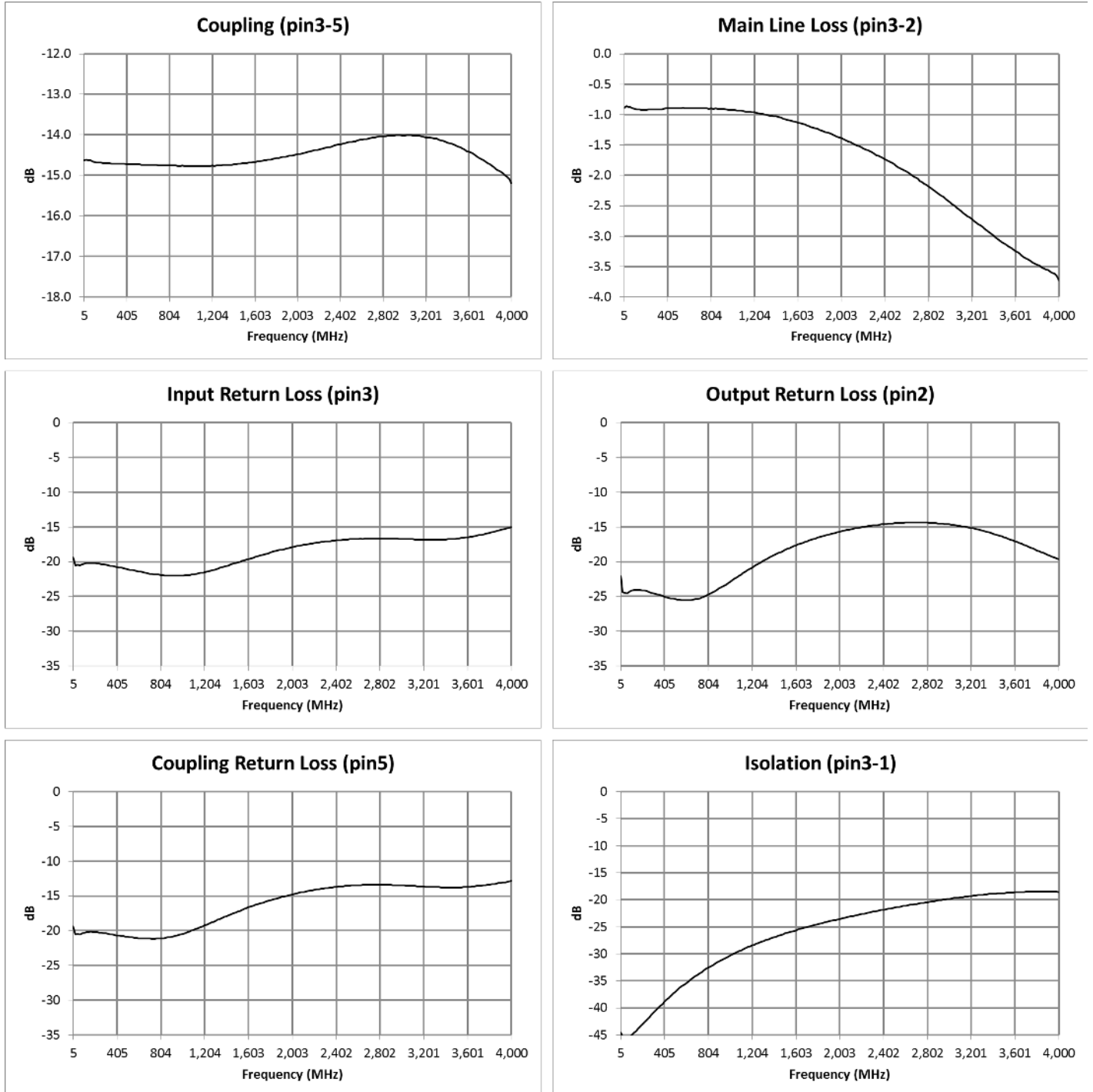
## PCB Layout



## Application Schematic

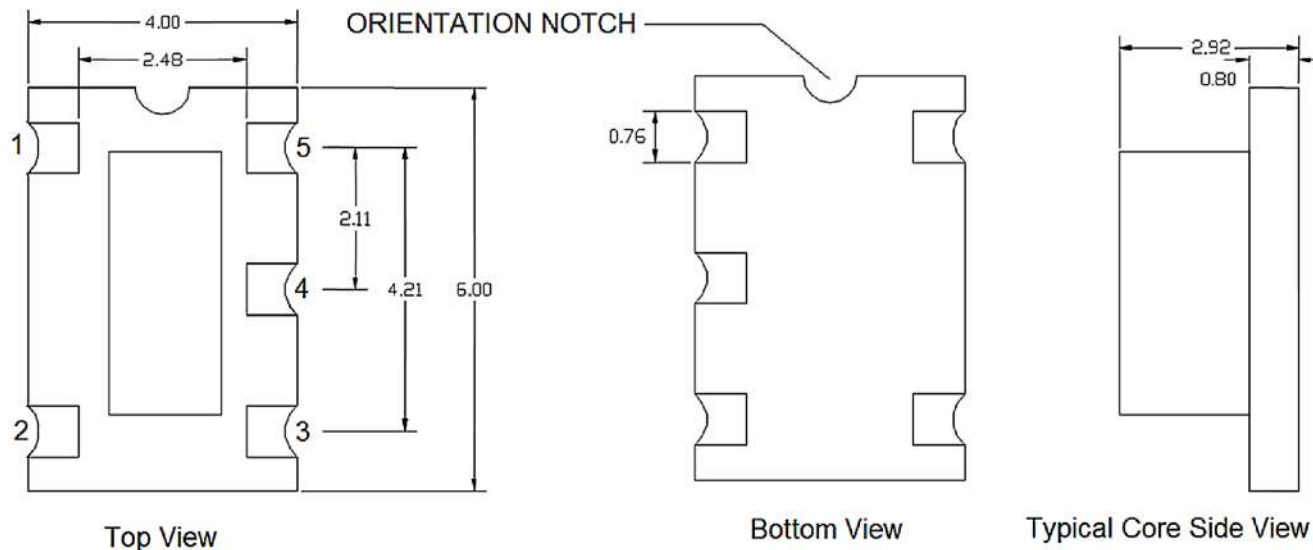


## Typical Performance Curves



**Electrical Specifications:  $P_{in} = 0\text{dBm}$ ,  $T_A = 25^\circ\text{C}$ ,  $Z_0 = 75 \Omega$**

## Outline drawing



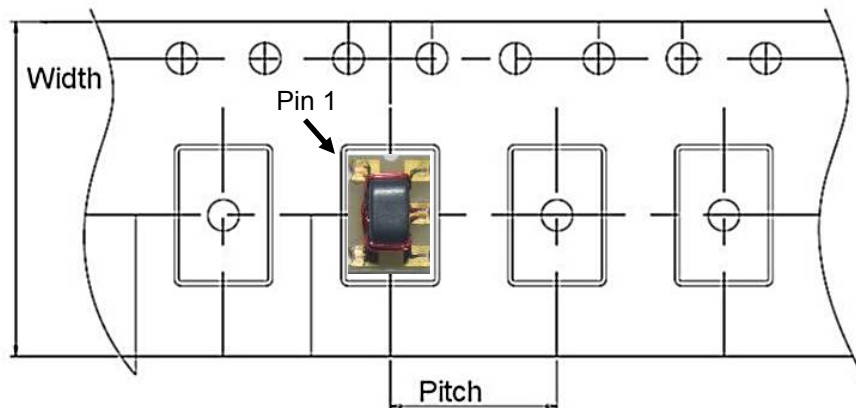
1. Dimensions in mm.
2. Tolerance:  $\pm 0.2$ mm unless otherwise noted.
3. Model number and lot code printed on reel.
4. Finish: Electroless Nickel Immersion Gold.

## Tape & Reel Information

Parameter	Units	Value
Qty per reel	-	2000
Reel size	mm	330
Tape width	mm	16.0
Pitch	mm	8.0
Orientation	-	F45

Reference Application Note ANI-019 for orientation

## Carrier Tape Orientation



M/A-COM Technology Solutions Inc. All rights reserved.

Information in this document is provided in connection with M/A-COM Technology Solutions Inc ("MACOM") products. These materials are provided by MACOM as a service to its customers and may be used for informational purposes only. Except as provided in MACOM's Terms and Conditions of Sale for such products or in any separate agreement related to this document, MACOM assumes no liability whatsoever. MACOM assumes no responsibility for errors or omissions in these materials. MACOM may make changes to specifications and product descriptions at any time, without notice. MACOM makes no commitment to update the information and shall have no responsibility whatsoever for conflicts or incompatibilities arising from future changes to its specifications and product descriptions. No license, express or implied, by estoppel or otherwise, to any intellectual property rights is granted by this document.

THESE MATERIALS ARE PROVIDED "AS IS" WITHOUT WARRANTY OF ANY KIND, EITHER EXPRESS OR IMPLIED, RELATING TO SALE AND/OR USE OF MACOM PRODUCTS INCLUDING LIABILITY OR WARRANTIES RELATING TO FITNESS FOR A PARTICULAR PURPOSE, CONSEQUENTIAL OR INCIDENTAL DAMAGES, MERCHANTABILITY, OR INFRINGEMENT OF ANY PATENT, COPYRIGHT OR OTHER INTELLECTUAL PROPERTY RIGHT. MACOM FURTHER DOES NOT WARRANT THE ACCURACY OR COMPLETENESS OF THE INFORMATION, TEXT, GRAPHICS OR OTHER ITEMS CONTAINED WITHIN THESE MATERIALS. MACOM SHALL NOT BE LIABLE FOR ANY SPECIAL, INDIRECT, INCIDENTAL, OR CONSEQUENTIAL DAMAGES, INCLUDING WITHOUT LIMITATION, LOST REVENUES OR LOST PROFITS, WHICH MAY RESULT FROM THE USE OF THESE MATERIALS.

MACOM products are not intended for use in medical, lifesaving or life sustaining applications. MACOM customers using or selling MACOM products for use in such applications do so at their own risk and agree to fully indemnify MACOM for any damages resulting from such improper use or sale.